



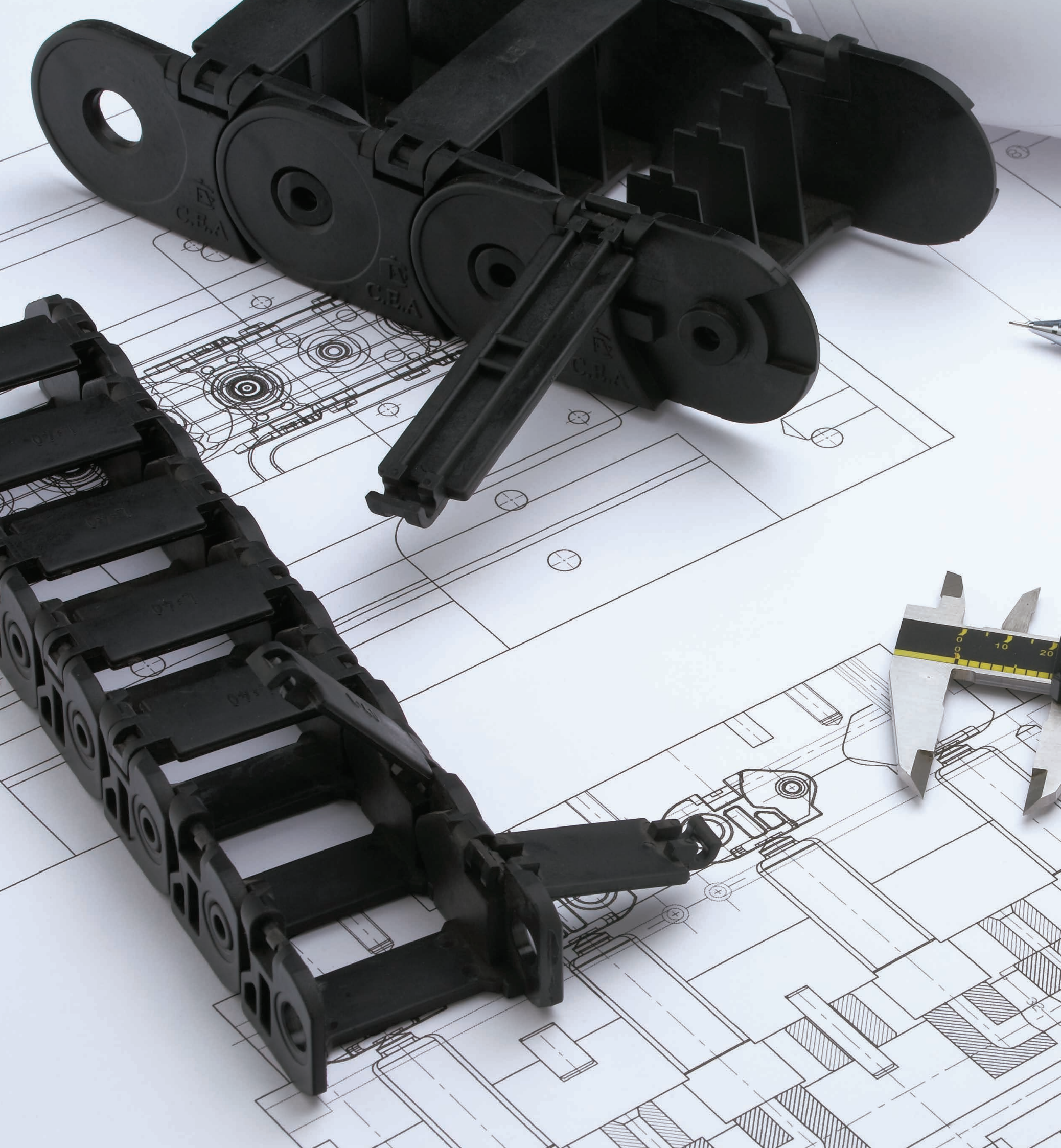
**CROCODILE
CABLE CARRIER**

**FLEXIBLE CABLE CARRIERS
CABLE PROTECTION SYSTEMS**



info@crocodilecablecarrier.com

www.crocodilecablecarrier.com



CONTENTS

CEA CABLE	Page :	2-3
PRODUCTS	Page :	4-5
LIGHT SERIES	Page :	6-19
MEDIUM SERIES	Page :	20-53
HEAVY SERIES	Page :	54-73
SLIDING SERIES	Page :	74-97
STEEL SERIES	Page :	98-117
CABLE GLANDS	Page :	118-121
CORRUGATED FLEXIBLE TUBES (CONDUITS)	Page :	122-125
CORRUGATED TUBE GLANDS (CONDUIT GLANDS)	Page :	126-141



One Step Ahead!

CROCODILE CABLE CARRIER

We proud of being the first and the sole company in Turkey which produces the whole range of "Cable Carriers and Protection Systems". And we are walking on our way with this pride. All designs are being made by our engineers, all moulds are being produced in our own facility, all production is being done by our own innovative team and CROCODILE gives service to all customers by powerful distribution channels.

We become your sole solution partner and sole connection point by innovative solutions, our reliability, high quality products. Let you have also a connection...



PRODUCTS

LIGHT SERIES	Page : 6-19
MEDIUM SERIES	Page : 20-53
HEAVY SERIES	Page : 54-73
SLIDING SERIES	Page : 74-97
STEEL SERIES	Page : 98-117
CABLE GLANDS	Page :124-127
CORRUGATED FLEXIBLE TUBES (CONDUITS)	Page :128-131
CORRUGATED TUBE GLANDS (CONDUIT GLANDS)	Page :132-147

KEY POINTS TO DECIDE THE CABLE CARRIERS:

- Outer diameters of the cables and pipes should be taken into consideration
- Inner height and width of the cable carrier should be decided accordingly
- Maximum bending radius of the cables and pipes given by their producers should be taken into consideration.
- Radius (R) of the cable carrier should be decided accordingly
- Movement distance of the cable carrier should be decided by using working diagram shown in the catalogue
- If the total length to be used is longer than the length calculated by above mentioned diagram, supporting bar or tray should be used in order to prevent the hanging.

CEA



CABLE CARRIERS LIGHT SERIES

CODE	INNER HEIGHT (A)	PAGE NO
SA0	08 mm	Page : 8-9
SA1	10 mm	Page : 10-11
SA2	12 mm	Page : 12-13
SA3	15 mm	Page : 14-15
SA4	15 mm	Page : 16-17
SB0	18 mm	Page : 18-19



SA0

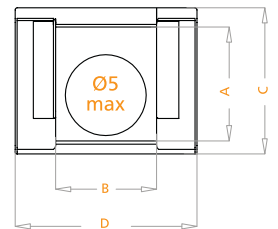
CABLE CARRIERS LIGHT SERIES

Inner Height (A) 8mm	Code	Radius	(A)mm	(B)mm	(C)mm	(D)mm	Weight Kg/Mt
<ul style="list-style-type: none"> No cover (cap) on top and bottom sides Should be used in supporting trays Suitable for short movement lengths 	SA0 08 R_01	18-25-35-48	8	8	12	12	0.112 Kg

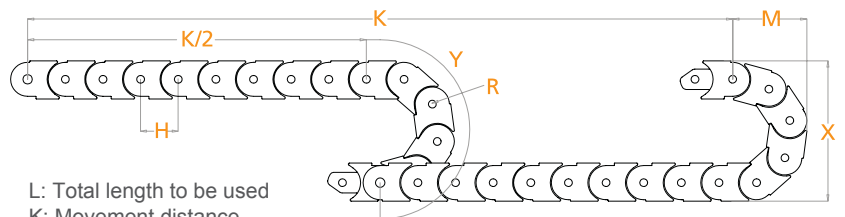
Maximum working speed :5M/S

Radius MUST be given in your orders.Example:

SA0 08 R25



R mm	H mm	X mm	M mm	Y mm
18	17	48	41	91
25	17	62	48	113
35	17	82	58	144
48	17	108	71	185

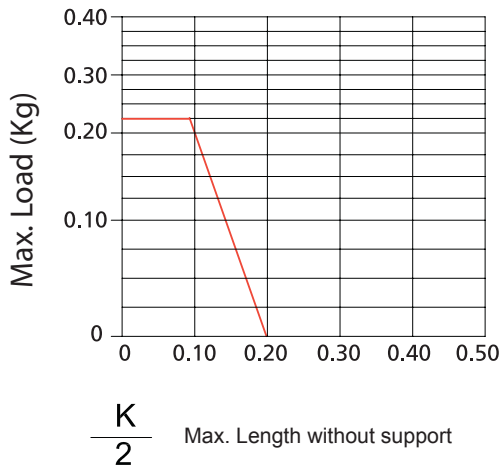


L: Total length to be used
K: Movement distance
Y: Radius

$$L: \frac{K}{2} + Y$$



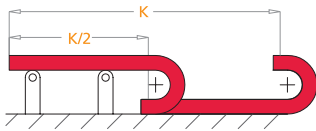
IMPORTANT POINTS



Self-supporting Capacity Diagram

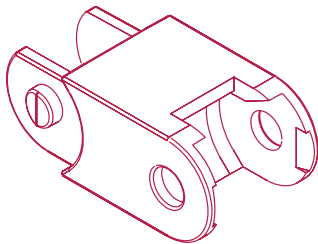
Self-supporting capacity of the cable carrier according to weight of the cables and hoses

$$\frac{K}{2}$$



How to use support rollers:

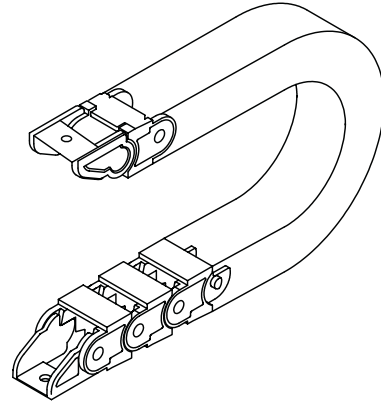
- Support rollers should be used after 0.5 meter
- End brackets are metal



How to choose end bracket

End bracket

End brackets are the parts to be used to fix the cable carrier to the machine or equipment



Should be attached to the both ends of the cable carrier

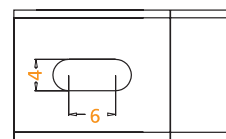
CABLE CARRIER
CODE

END BRACKET
CODE

A

B

CABLE CARRIER CODE	END BRACKET CODE	A	B
SA0 08 R01	SA0 B01	X	X



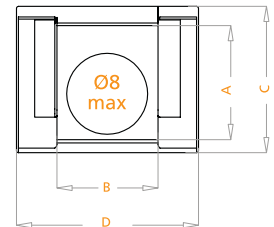
SA1

CABLE CARRIERS LIGHT SERIES

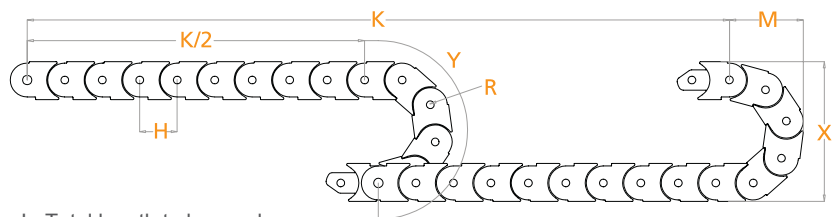
Inner Height (A) 10 mm	Code	Radius	(A)mm	(B)mm	(C)mm	(D)mm	Weight Kg/Mt
No cover (cap) on top and bottom sides • Should be used in supporting trays • Suitable for short movement lengths	SA1 010 R_01	18-25-35-48	10	10	14	14	0.112 Kg

Maximum working speed :5M/S

Radius MUST be given in your orders.Example: SA1 010 R35



R mm	H mm	X mm	M mm	Y mm
18	17	50	42	91
25	17	64	49	113
35	17	84	59	144
48	17	110	72	185

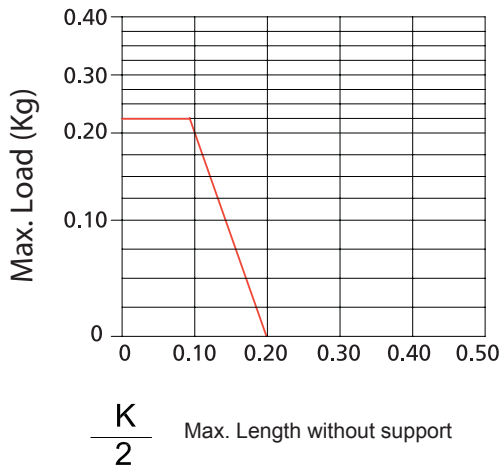


L: Total length to be used
 K: Movement distance
 Y: Radius

$$L: \frac{K}{2} + Y$$



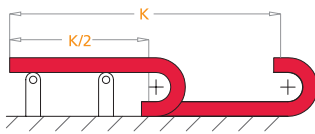
IMPORTANT POINTS



Self-supporting Capacity Diagram

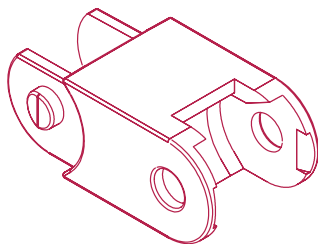
Self-supporting capacity of the cable carrier according to weight of the cables and hoses

$$\frac{K}{2}$$



How to use support rollers:

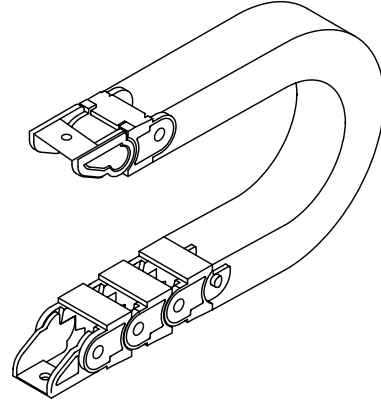
- Support rollers should be used after 0.5 meter
- End brackets are metal



How to choose end bracket

End bracket

End brackets are the parts to be used to fix the cable carrier to the machine or equipment .



Should be attached to the both ends of the cable carrier

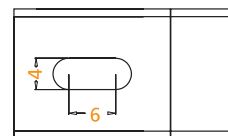
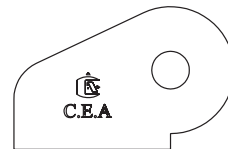
**CABLE CARRIER
CODE**

**END BRACKET
CODE**

A

B

CABLE CARRIER CODE	END BRACKET CODE	A	B
SA1 10 R01	SA1 B01	X	X



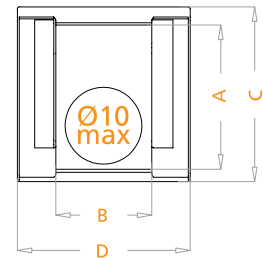
SA2

CABLE CARRIERS LIGHT SERIES

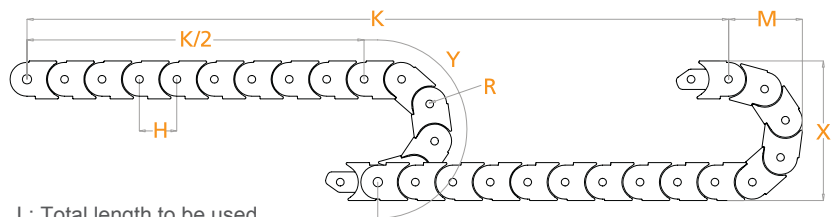
Inner Height (A) 12mm	Code	Radius	(A)mm	(B)mm	(C)mm	(D)mm	Weight Kg/Mt
<ul style="list-style-type: none"> No cover (cap) on top and bottom sides Should be used in supporting trays Suitable for short movement lengths 	SA2 012 R_01	18-25-35-48	12	12	15	18	0.168 Kg

Maximum working speed :5M/S

Radius MUST be given in your orders.Example: **SA2 012 R18**



R mm	H mm	X mm	M mm	Y mm
18	17	52	43	91
25	17	66	50	113
35	17	86	60	144
48	17	112	73	185

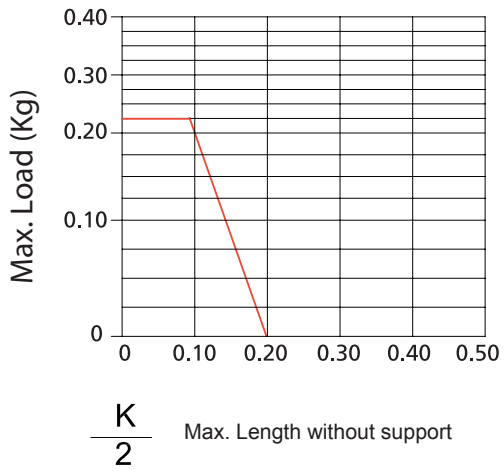


L: Total length to be used
K: Movement distance
Y: Radius

$$L: \frac{K}{2} + Y$$



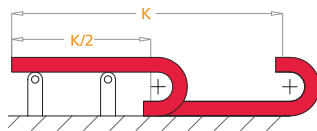
IMPORTANT POINTS



Self-supporting Capacity Diagram

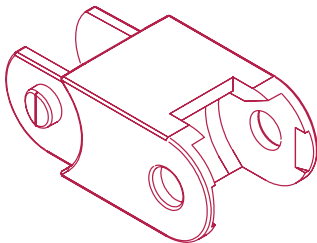
Self-supporting capacity of the cable carrier according to weight of the cables and hoses

$$\frac{K}{2}$$



How to use support rollers:

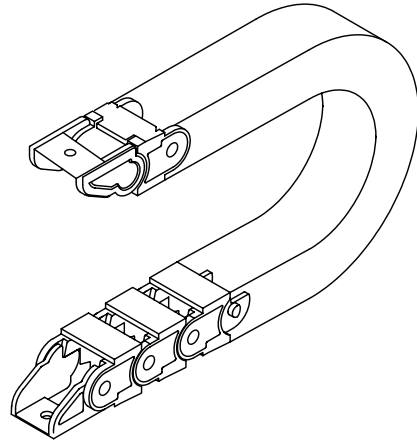
- Support rollers should be used after 0.5 meter
- End brackets are metal



How to choose end bracket

End bracket

End brackets are the parts to be used to fix the cable carrier to the machine or equipment



Should be attached to the both ends of the cable carrier

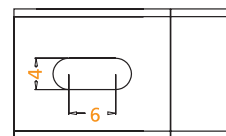
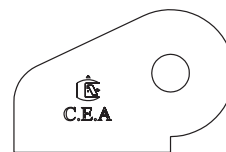
CABLE CARRIER
CODE

END BRACKET
CODE

A

B

CABLE CARRIER CODE	END BRACKET CODE	A	B
SA2 12 R01	SA2 B01	X	X



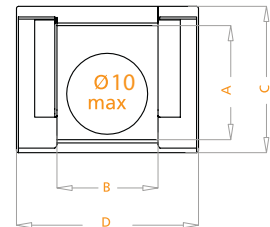
SA3

CABLE CARRIERS LIGHT SERIES

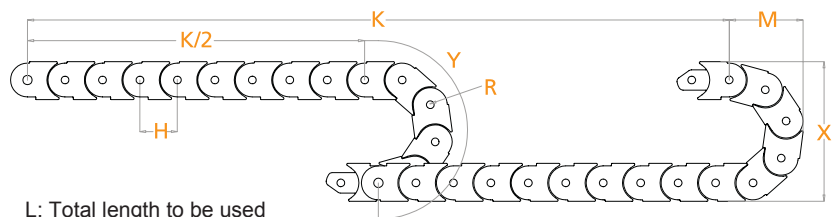
Inner Height (A) 15mm	Code	Radius	(A)mm	(B)mm	(C)mm	(D)mm	Weight Kg/Mt
<ul style="list-style-type: none"> • No cover (cap) on top and bottom sides • Should be used in supporting trays • Suitable for short movement lengths 	SA3 010 R_01	48	15	10	18	18	0.196 Kg

Maximum working speed :5M/S

Radius MUST be given in your orders. Example: **SA3 15 R48**

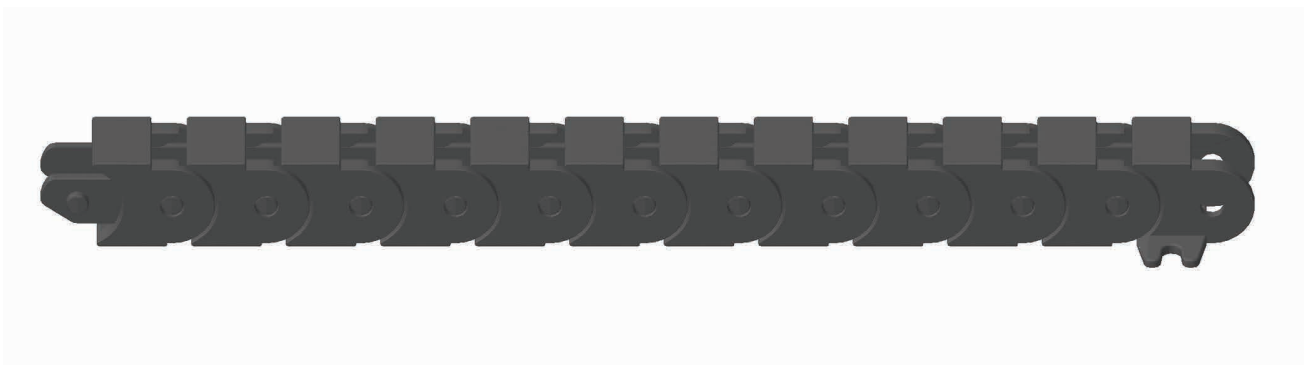


R mm	H mm	X mm	M mm	Y mm
48	18	110	75	187

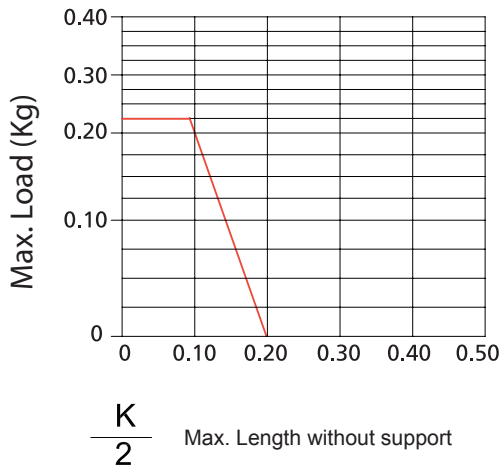


L: Total length to be used
 K: Movement distance
 Y: Radius

$$L: \frac{K}{2} + Y$$



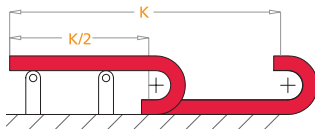
IMPORTANT POINTS



Self-supporting Capacity Diagram

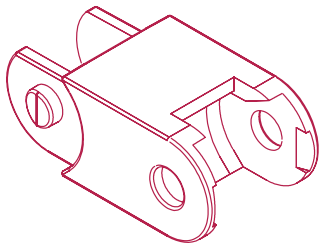
Self-supporting capacity of the cable carrier according to weight of the cables and hoses

$$\frac{K}{2}$$



How to use support rollers:

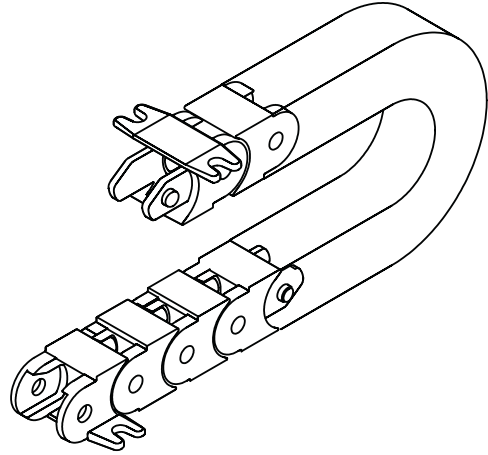
- Support rollers should be used after 0.5 meter



How to choose end bracket

End bracket

End brackets are the parts to be used to fix the cable carrier to the machine or equipment .



Should be attached to the both ends of the cable carrier.

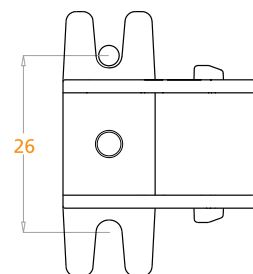
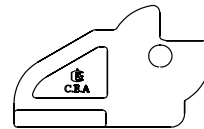
CABLE CARRIER
CODE

END BRACKET
CODE

A

B

CABLE CARRIER CODE	END BRACKET CODE	A	B
SA3 15 R48	SA3 B01	X	X



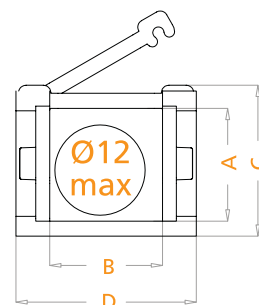
SA4

CABLE CARRIERS LIGHT SERIES

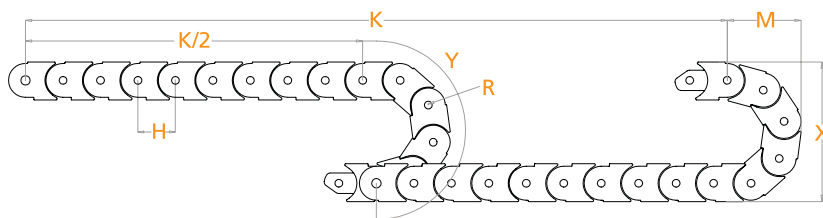
Inner Height (A) 15mm	Code	Radius	(A)mm	(B)mm	(C)mm	(D)mm	Weight Kg/Mt
<ul style="list-style-type: none"> • One side is fixed, other side is openable • Should be used in supporting trays • Suitable for short movement lengths 	SA4 015 R_01	40	15	15	20	24	0.224 Kg

Maximum working speed :5M/S

Radius MUST be given in your orders.Example: SA4 015 R40

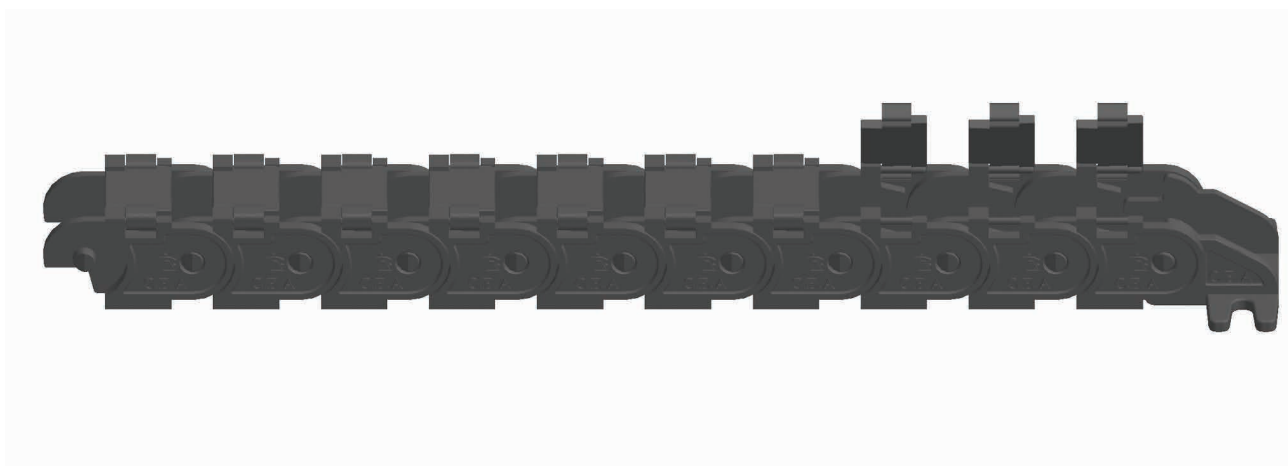


R mm	H mm	X mm	M mm	Y mm
40	20	103	69,5	186

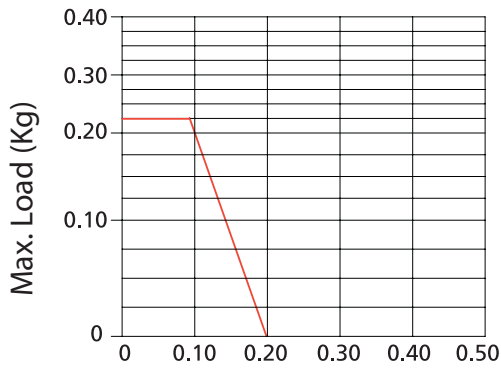


L: Total length to be used
 K: Movement distance
 Y: Radius

$$L: \frac{K}{2} + Y$$



IMPORTANT POINTS

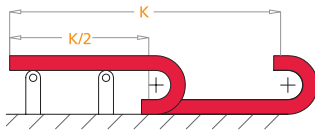


$$\frac{K}{2} \text{ Max. Length without support}$$

Self-supporting Capacity Diagram

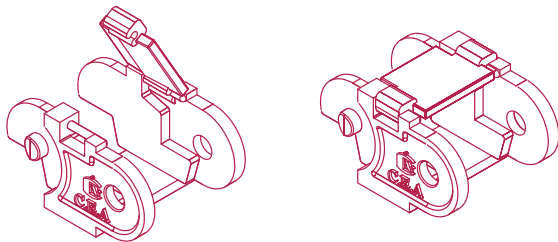
Self-supporting capacity of the cable carrier according to weight of the cables and hoses

$$\frac{K}{2}$$



How to use support rollers:

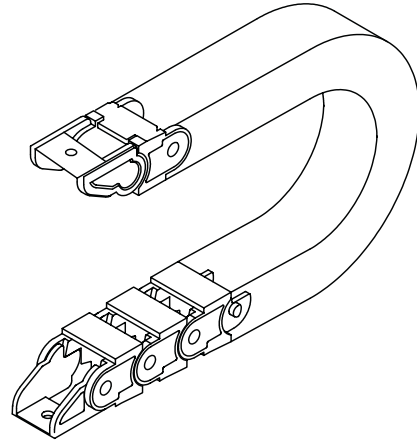
- Support rollers should be used after 0.5 meter
- Make sure that the cap (cover) is fixed properly
- Use an appropriate hand tool (screw driver) to open the cap
- Be careful not to damage the fixing nail of the cap (cover)



How to choose end bracket

End bracket

End brackets are the parts to be used to fix the cable carrier to the machine or equipment



Should be attached to the both ends of the cable carrier

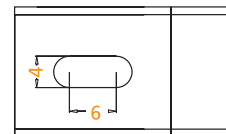
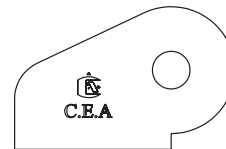
CABLE CARRIER
CODE

END BRACKET
CODE

A

B

CABLE CARRIER CODE	END BRACKET CODE	A	B
SA4 015 R40	SA4 B01	X	X



SBO

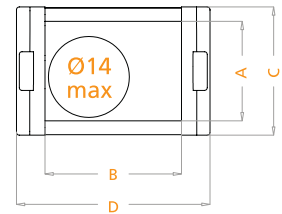
CABLE CARRIERS LIGHT SERIES

Inner Height (A) 18mm	Code	Radius	(A)mm	(B)mm	(C)mm	(D)mm	Weight Kg/Mt
<ul style="list-style-type: none"> No cover (cap) on top and bottom sides Should be used in supporting trays Suitable for short movement lengths. 	SB0 025 R_01	40	18	25	27	35	0.224 Kg

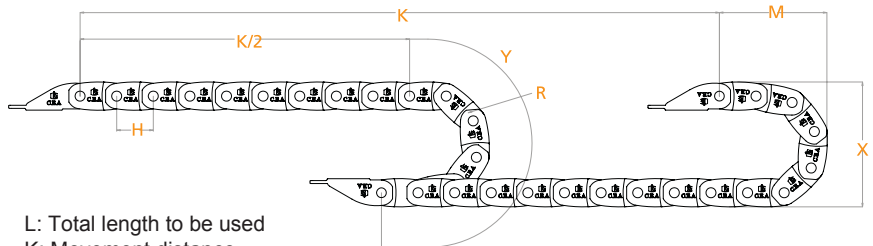
Maximum working speed :5M/S

Radius MUST be given in your orders.Example:

SB0 025 R40



R mm	H mm	X mm	M mm	Y mm
40	30	103	81,5	186

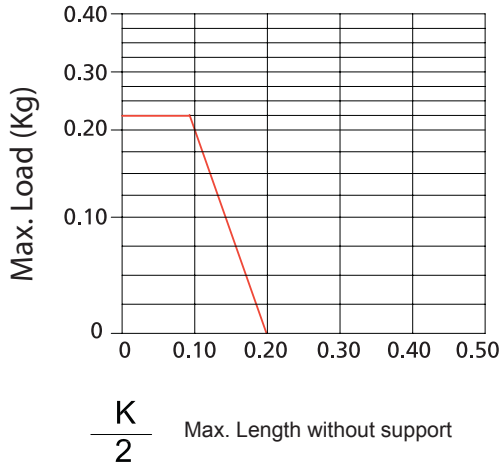


L: Total length to be used
K: Movement distance
Y: Radius

$$L: \frac{K}{2} + Y$$



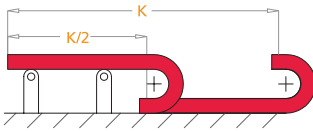
IMPORTANT POINTS



Self-supporting Capacity Diagram

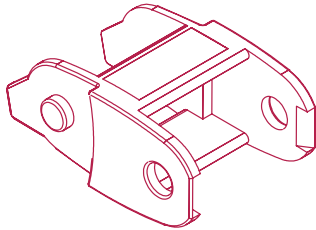
Self-supporting capacity of the cable carrier according to weight of the cables and hoses

$$\frac{K}{2}$$



How to use support rollers:

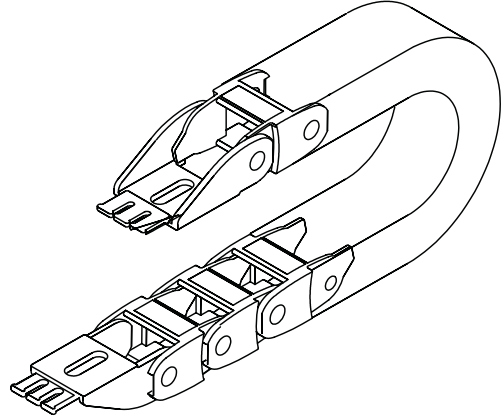
- Support rollers should be used after 0.5 meter



AYAK SETİNİN SEÇİLMESİ VE KULLANIMI

End bracket

End brackets are the parts to be used to fix the cable carrier to the machine or equipment



Should be attached to the both ends of the cable carrier.

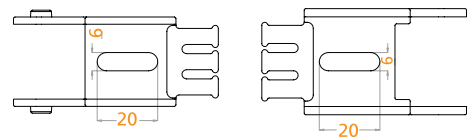
CABLE CARRIER
CODE

END BRACKET
CODE

A

B

CABLE CARRIER CODE	END BRACKET CODE	A	B
SB0 025	SB0 B025	X	X



CEA





CABLE CARRIERS MEDIUM SERIES

CODE	INNER HEIGHT (A)	PAGE NO
SB1	20 mm	Page : 22-23
SB1.1	22 mm	Page : 24-25
SB2	25 mm	Page : 26-27
SC1 K	30 mm	Page : 28-29
SC1 YK	30 mm	Page : 30-31
SC1.1	32 mm	Page : 32-33
SC1.3	33 mm	Page : 34-35
SC1.3K	33 mm	Page : 36-37
SC2	35 mm	Page : 38-39
SC2K	35 mm	Page : 40-41
SC2YK	35 mm	Page : 42-43
SD1 K	40 mm	Page : 44-45
SD1YK	40 mm	Page : 46-47
SD1.3	43 mm	Page : 48-49
SD1.3K	43 mm	Page : 50-51
S SERIES	43 mm	Page : 52-53

SB1

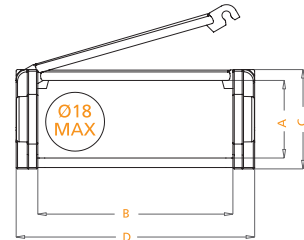
CABLE CARRIERS MEDIUM SERIES

Inner Height (A) 20mm	Code	Radius	(A)mm	(B)mm	(C)mm	(D)mm	Weight Kg/Mt
<ul style="list-style-type: none"> • One side is fixed and closed, other (radius) side is openable • Should be used in supporting trays • SB1 025 – SB1 065 open (no caps) models • SB1 040 – SB1 050 bottom side is closed (complete cover) upper side open (no caps) models 	SB1 025 R_01	40-75-100-125	20	25	27	37	0.441 Kg
	SB1 040 R_01	40-75-100-125	20	40	27	52	0.488 Kg
	SB1 050 R_01	40-75-100-125	20	50	27	62	0.653 Kg
	SB1 065 R_01	40-75-100-125	20	65	27	77	0.565 Kg

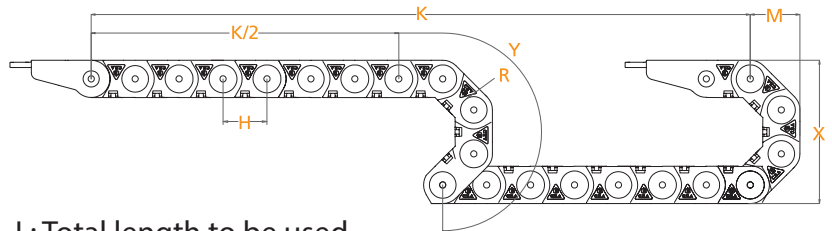
Maximum working speed :7M/S

Radius MUST be given in your orders. Example:

SB1 050 R75



R mm	H mm	X mm	M mm	Y mm
40	33	107	86.5	192
75	33	177	121.5	302
100	33	227-	146.5	380
125	33	277	171.5	459

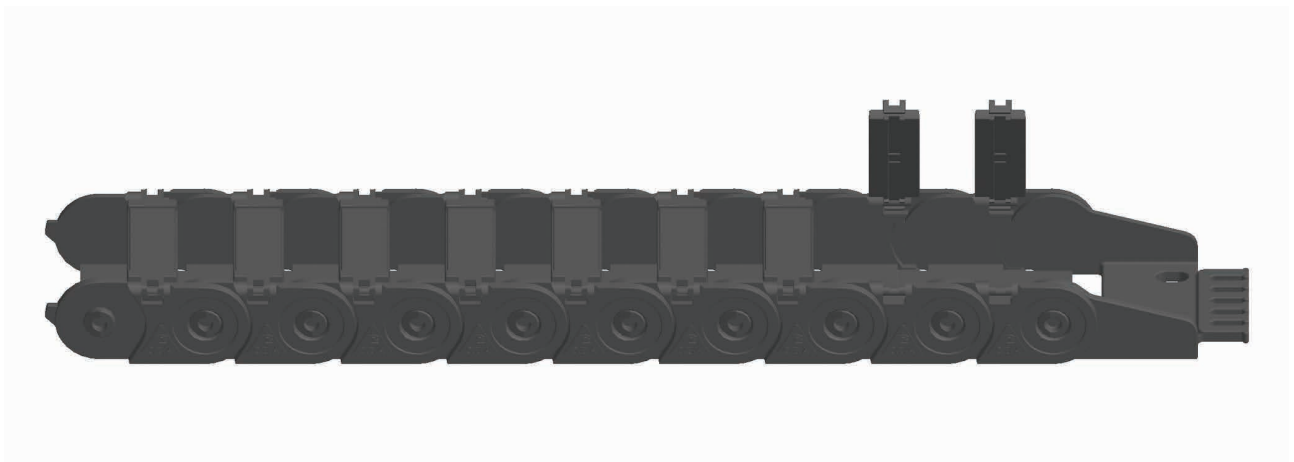


L: Total length to be used

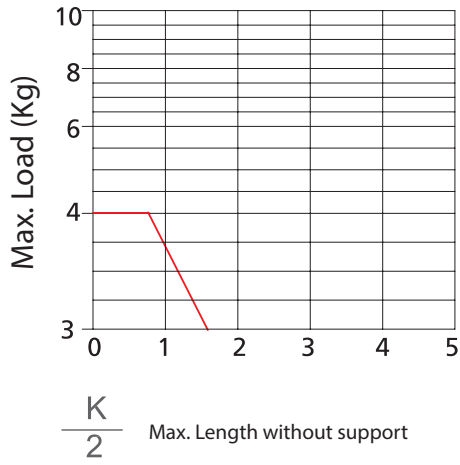
K: Movement distance

Y: Radius

$$L: \frac{K}{2} + Y$$



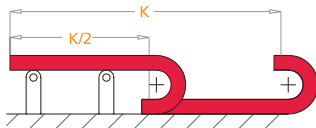
IMPORTANT POINTS



Self-supporting Capacity Diagram

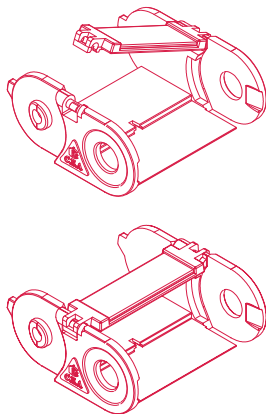
Self-supporting capacity of the cable carrier according to weight of the cables and hoses

$$\frac{K}{2}$$



How to use support rollers:

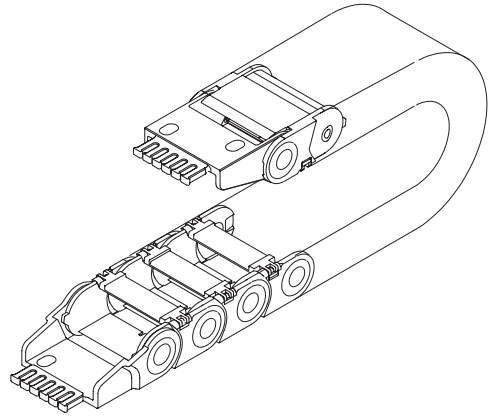
- Support rollers should be used after 1 meter
- Make sure that the cap (cover) is fixed properly
- Use an appropriate hand tool (screw driver) to open the cap
- Be careful not to damage the fixing nail of the cap (cover)



How to choose end bracket

End brackets

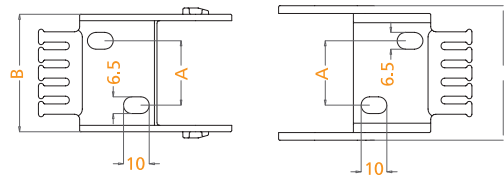
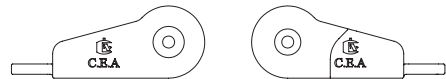
End brackets are the parts to be used to fix the cable carrier to the machine or equipment



Should be attached to the both ends of the cable carrier

CABLE CARRIER CODE	END BRACKET CODE	A	B
--------------------	------------------	---	---

SB1 025 R_01	SB1 B025	10	37
SB1 040 R_01	SB1 B040	25	52
SB1 050 R_01	SB1 B050	35	62
SB1 065 R_01	SB1 B065	50	77



SB1.1

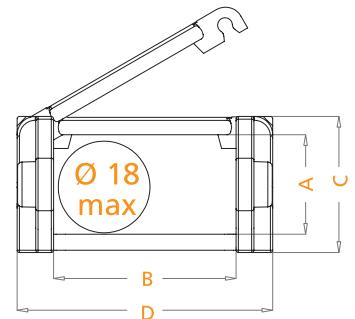
CABLE CARRIERS MEDIUM SERIES

Inner Height (A) 21mm	Code	Radius	(A)mm	(B)mm	(C)mm	(D)mm	Weight Kg/Mt
<ul style="list-style-type: none"> • One side is fixed, other (radius) side is openable • Should be used in supporting trays • Suitable for long movement lengths 	SB1.1 040 R_01	40-75-100	21	40	30	56	0.700 Kg
	SB1.1 060 R_01	40-75-100	21	60	30	76	0.800 Kg
	SB1.1 080 R_01	40-75-100	21	80	30	96	0.850 Kg

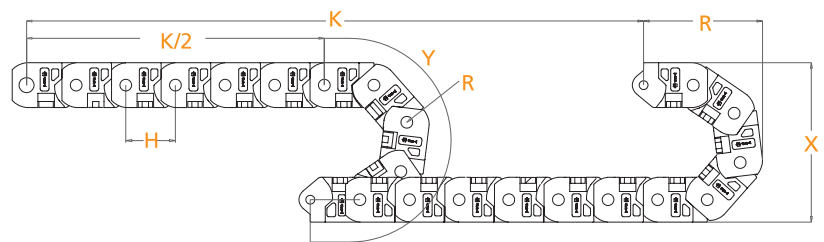
Maximum working speed :8M/S

Radius MUST be given in your orders. Example:

SB1.1 060 R75



R mm	H mm	X mm	M mm	Y mm
40	33	110	80	132
75	33	180	130	264
100	33	230	150	330

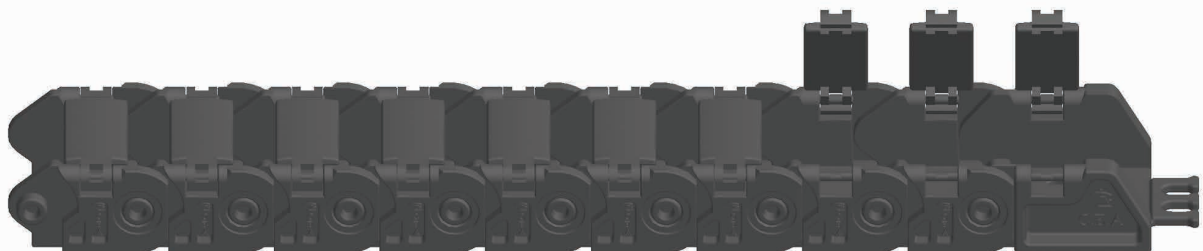


L: Total length to be used

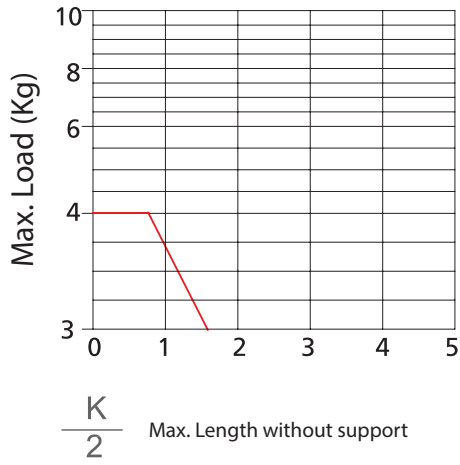
K: Movement distance

Y: Radius

$$L: \frac{K}{2} + Y$$



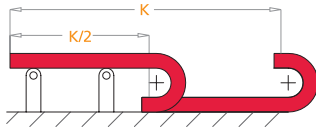
IMPORTANT POINTS



Self-supporting Capacity Diagram

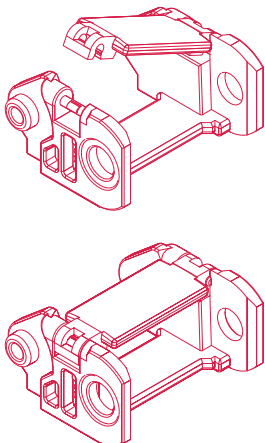
Self-supporting capacity of the cable carrier according to weight of the cables and hoses

$$\frac{K}{2}$$



How to use support rollers:

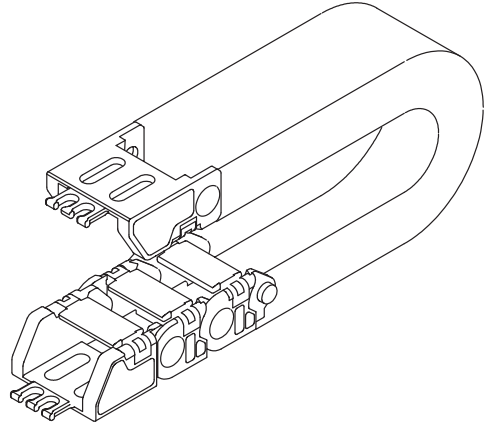
- Support rollers should be used after 2 meters
- Make sure that the cap (cover) is fixed properly
- Use an appropriate hand tool (screw driver) to open the cap
- Be careful not to damage the fixing nail of the cap (cover)



How to choose end bracket

End bracket

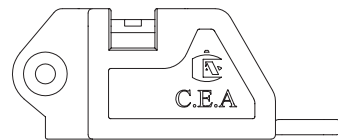
End brackets are the parts to be used to fix the cable carrier to the machine or equipment.



Should be attached to the both ends of the cable carrier

CABLE CARRIER CODE	END BRACKET CODE	A	B
--------------------	------------------	---	---

SB1.1 040 R_01	SB1.1 B040	20	56
SB1.1 060 R_01	SB1.1 B060	35	76
SB1.1 080 R_01	SB1.1 B080	55	96



SB2

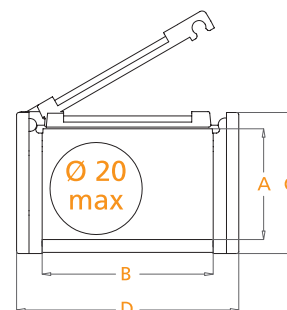
CABLE CARRIERS MEDIUM SERIES

Inner Height (A) 25mm	Code	Radius	(A)mm	(B)mm	(C)mm	(D)mm	Weight Kg/Mt
<ul style="list-style-type: none"> • One side is fixed, other (radius) side is openable • Should be used in supporting trays • Suitable for long movement lengths 	SB2 040 R_01	40-75-100-125	25	40	33	52	0.545 Kg
	SB2 065 R_01	40-75-100-125	25	65	33	77	0.607 Kg

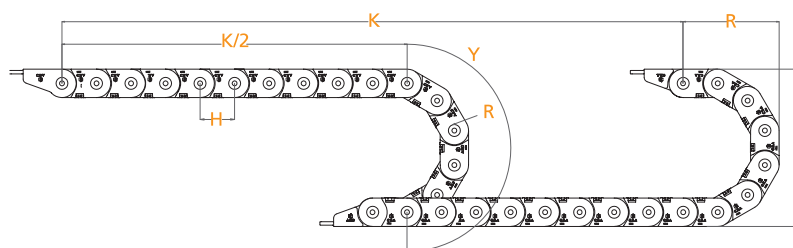
Maximum working speed :7M/S

Radius MUST be given in your orders.Example:

SB2 065 R75



R mm	H mm	X mm	M mm	Y mm
40	40	113	95.5	204
75	40	183	130.5	314
100	40	233	155.5	392
125	40	283	180.5	471

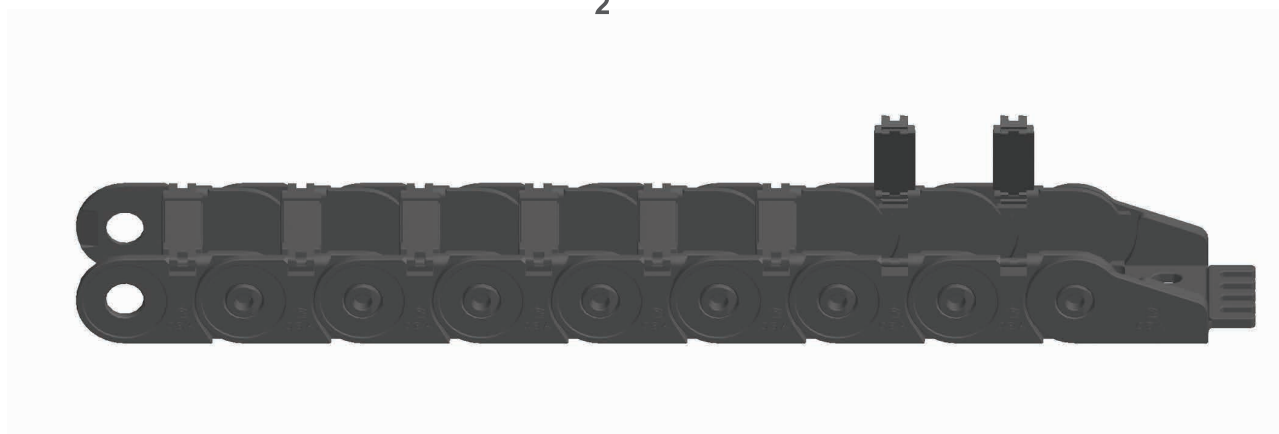


L: Total length to be used

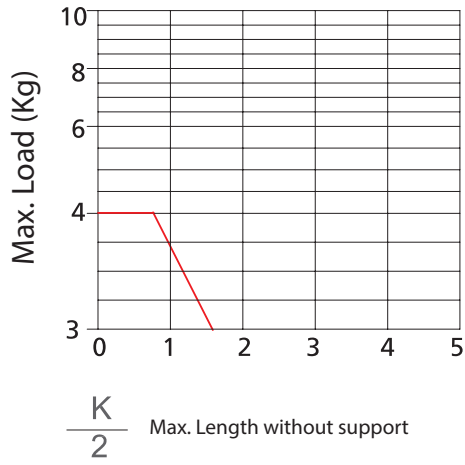
K: Movement distance

Y: Radius

$$L: \frac{K}{2} + Y$$



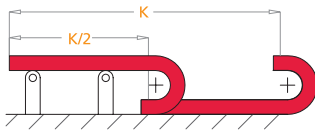
IMPORTANT POINTS



Self-supporting Capacity Diagram

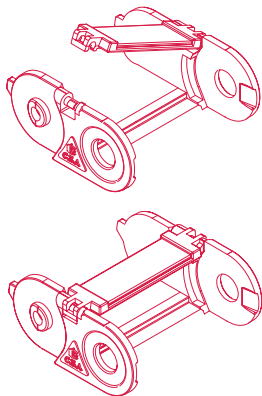
Self-supporting capacity of the cable carrier according to weight of the cables and hoses

$$\frac{K}{2}$$



How to use support rollers:

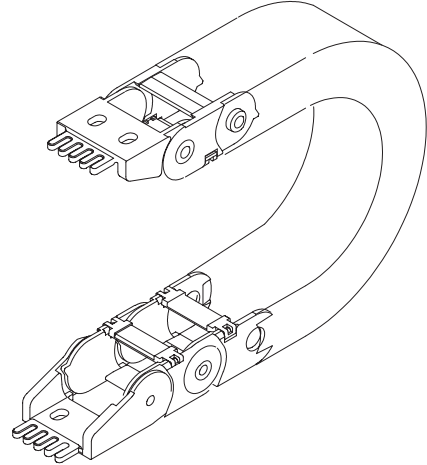
- Support rollers should be used after 2 meters
- Make sure that the cap (cover) is fixed properly
- Use an appropriate hand tool (screw driver) to open the cap
- Be careful not to damage the fixing nail of the cap (cover)



How to choose end bracket

End bracket

End brackets are the parts to be used to fix the cable carrier to the machine or equipment



Should be attached to the both ends of the cable carrier

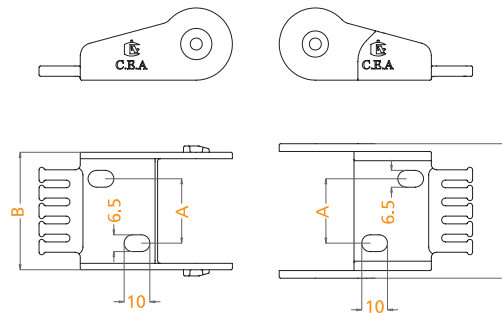
CABLE CARRIER CODE

END BRACKET CODE

A

B

CABLE CARRIER CODE	END BRACKET CODE	A	B
SB2 040 R_01	SB2 B040	24	52
SB2 065 R_01	SB2 B065	49	77



SC1K

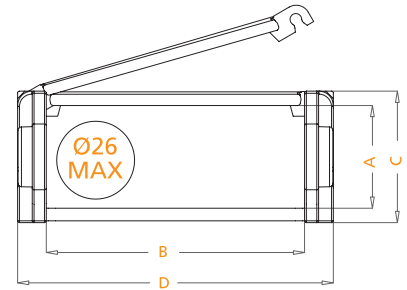
CABLE CARRIERS MEDIUM SERIES

Inner Height (A) 30mm	Code	Radius	(A)mm	(B)mm	(C)mm	(D)mm	Weight Kg/Mt
<ul style="list-style-type: none"> Both up and bottom sides have complete covers (caps), openable caps on the radius side Should be used in supporting trays Both sides have complete covers (caps) 	SC1K 040 R_01	75-100-150-200	30	40	40	56	0.958 Kg
	SC1K 060 R_01	75-100-150-200	30	60	40	76	1.106 Kg
	SC1K 080 R_01	75-100-150-200	30	80	40	96	1.236 Kg

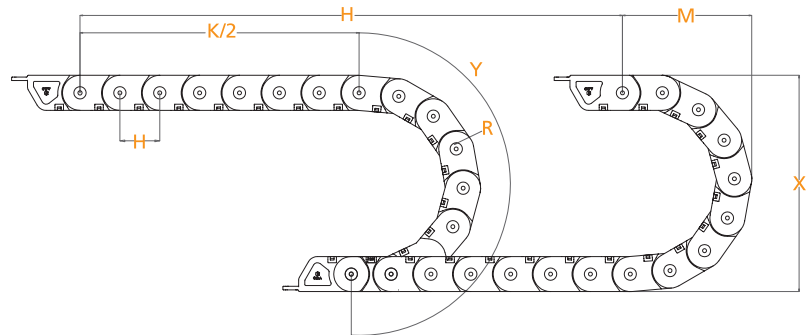
Maximum working speed :6M/S

Radius MUST be given in your orders.Example:

SC1K 060 R75



R mm	H mm	X mm	M mm	Y mm
75	45	190	140.5	328
100	45	240	165.5	406
150	45	340	215.5	563
200	45	440	265.5	720

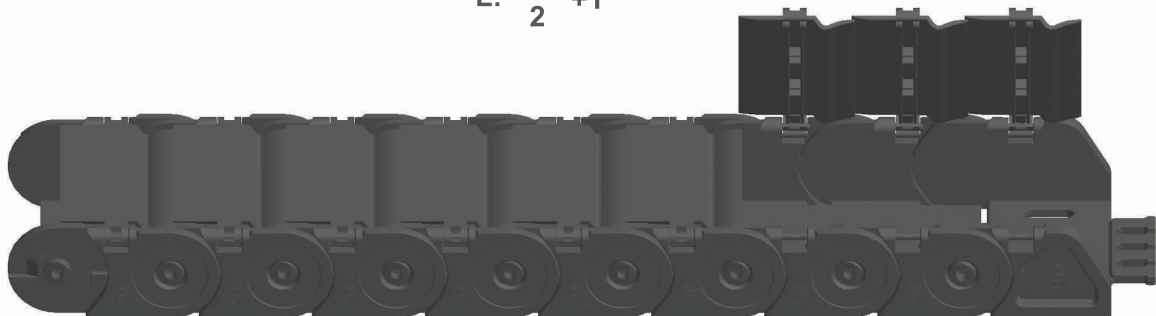


L: Total length to be used

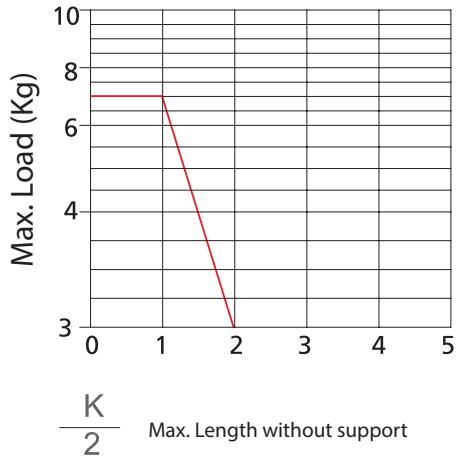
K: Movement distance

Y: Radius

$$L: \frac{K}{2} + Y$$



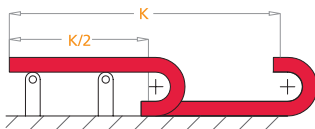
IMPORTANT POINTS



Self-supporting Capacity Diagram

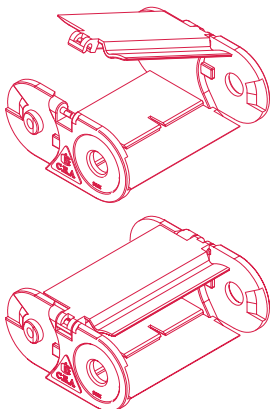
Self-supporting capacity of the cable carrier according to weight of the cables and hoses

$$\frac{K}{2}$$



How to use support rollers:

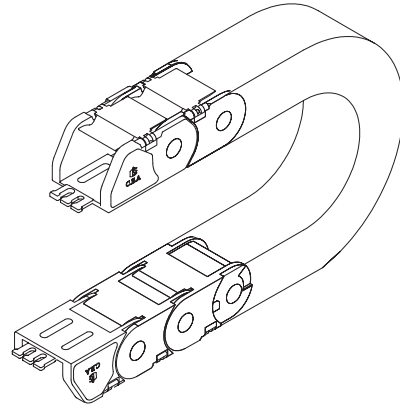
- Support rollers should be used after 2,5 meters
- Make sure that the cap (cover) is fixed properly
- Use an appropriate hand tool (screw driver) to open the cap
- Be careful not to damage the fixing nail of the cap (cover).



How to choose end bracket

End bracket

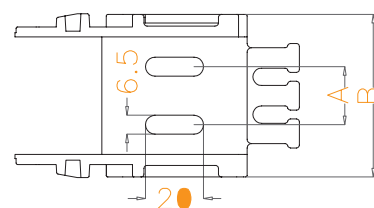
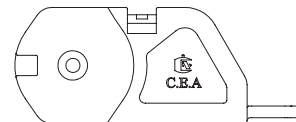
End brackets are the parts to be used to fix the cable carrier to the machine or equipment



Should be attached to the both ends of the cable carrier

CABLE CARRIER CODE	END BRACKET CODE	A	B
--------------------	------------------	---	---

SC1K 040 R_01	SC1K B040	20	56
SC1K 060 R_01	SC1K B060	40	76
SC1K 080 R_01	SC1K B080	60	96



SC1YK

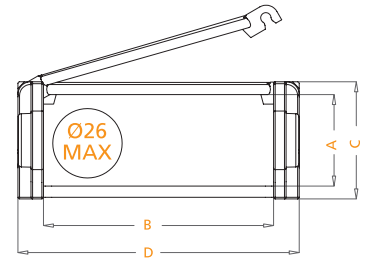
CABLE CARRIERS MEDIUM SERIES

Inner Height (A) 30mm	Code	Radius	(A)mm	(B)mm	(C)mm	(D)mm	Weight Kg/Mt
<ul style="list-style-type: none"> • One side has fixed and complete cover, other side (radius side) has openable cover (cap) • Bottom side is completely closed, upside is open • Semi-open model • Should be used in supporting trays 	SC1YK 040 R_01	75-100-150-200	30	40	40	56	0.955 Kg
	SC1YK 060 R_01	75-100-150-200	30	60	40	76	1.105 Kg
	SC1YK 080 R_01	75-100-150-200	30	80	40	96	1.198 Kg

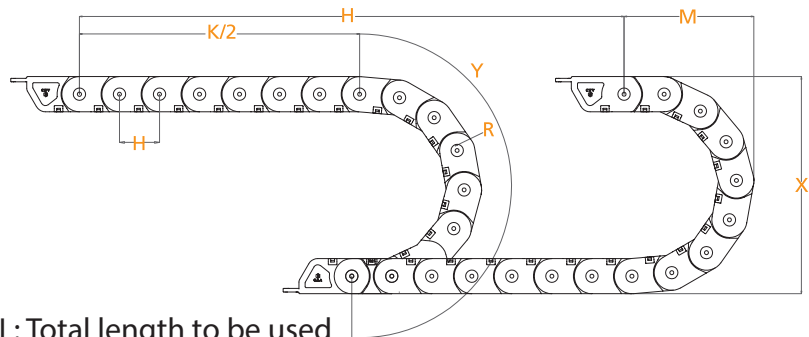
Maximum working speed :6M/S

Radius MUST be given in your orders. Example:

SC1YK 060 R75



R mm	H mm	X mm	M mm	Y mm
75	45	190	140.5	328
100	45	240	165.5	406
150	45	340	215.5	563
200	45	440	265.5	720

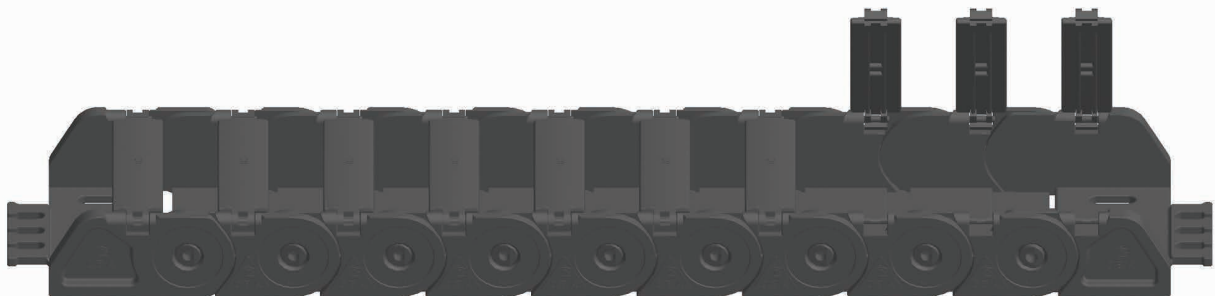


L: Total length to be used

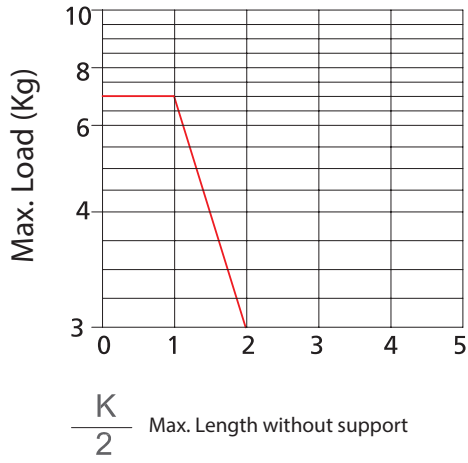
K: Movement distance

Y: Radius

$$L: \frac{K}{2} + Y$$



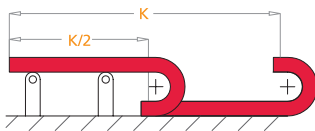
IMPORTANT POINTS



Self-supporting Capacity Diagram

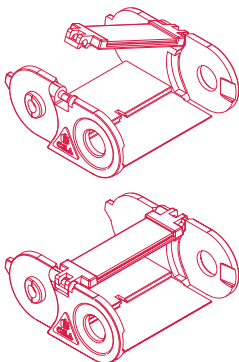
Self-supporting capacity of the cable carrier according to weight of the cables and hoses

$$\frac{K}{2}$$



How to use support rollers:

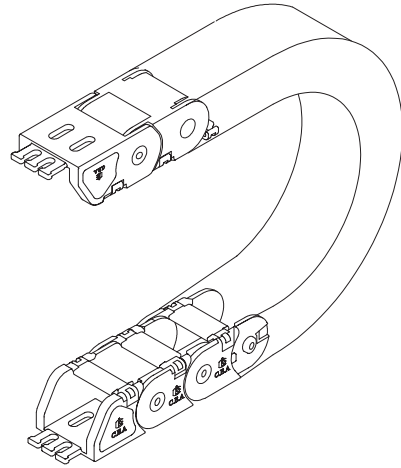
- Support rollers should be used after 2,5 meters
- Make sure that the cap (cover) is fixed properly
- Use an appropriate hand tool (screw driver) to open the cap
- Be careful not to damage the fixing nail of the cap (cover)



How to choose end bracket

End bracket

End brackets are the parts to be used to fix the cable carrier to the machine or equipment



Should be attached to the both ends of the cable carrier

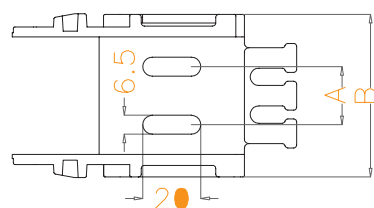
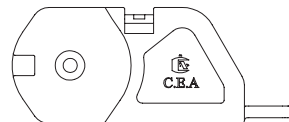
CABLE CARRIER CODE

END BRACKET CODE

A

B

CABLE CARRIER CODE	END BRACKET CODE	A	B
SC1YK 040 R_01	SC1 B040	20	56
SC1YK 060 R_01	SC1 B060	40	76
SC1YK 080 R_01	SC1 B080	60	96



SC1.1

CABLE CARRIERS MEDIUM SERIES

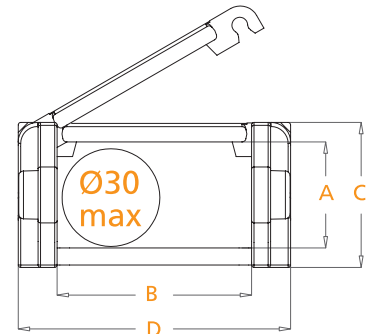
Inner Height (A) 32mm	Code	Radius	(A)mm	(B)mm	(C)mm	(D)mm	Weight Kg/Mt
<ul style="list-style-type: none"> • One side is fixed, other (radius) side is openable • Should be used in supporting trays • Suitable for long distances • No complete cover (on both sides) • Suitable to use vertical separators 	SC1.1 022 R_01	50-100-150-200	32	22	41	36	0.600 Kg
	SC1.1 040 R_01	50-100-150-200	32	40	41	56	0.750 Kg
	SC1.1 060 R_01	50-100-150-200	32	60	41	76	0.820 Kg
	SC1.1 080 R_01	50-100-150-200	32	80	41	96	0.880 Kg

Maximum working speed :7M/S

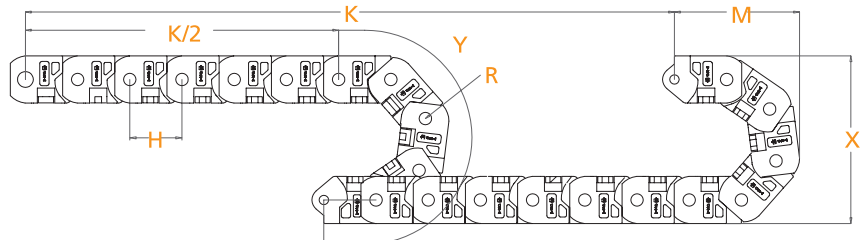
Radius MUST be given in your orders. Example:

SC1.1 060 R100

$$L: \frac{K}{2} + Y$$



R mm	H mm	X mm	M mm	Y mm
50	50	141	70	257
100	50	241	120	414
150	50	341	170	571
200	50	441	220	728

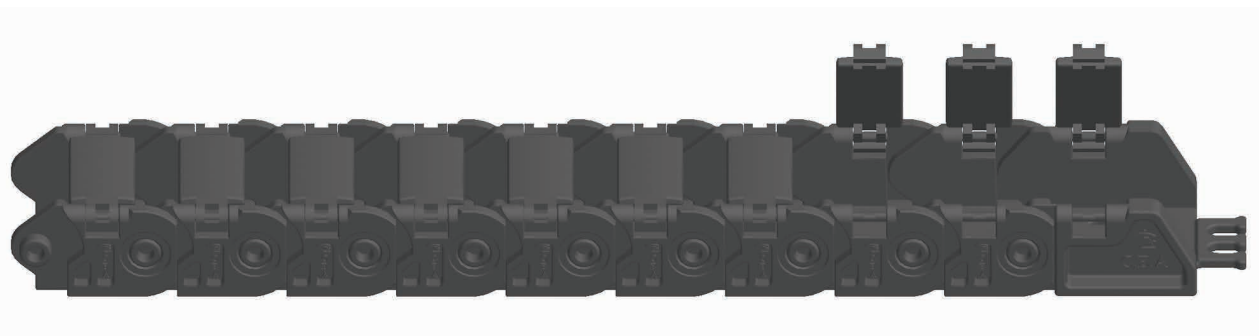


L: Total length to be used

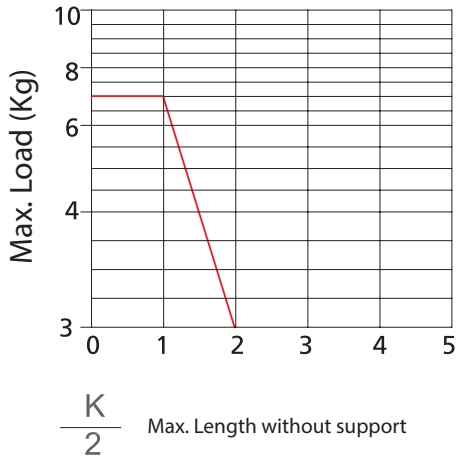
K: Movement distance

Y: Radius

$$L: \frac{K}{2} + Y$$



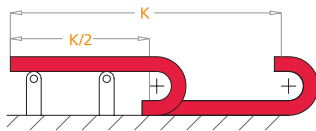
IMPORTANT POINTS



Self-supporting Capacity Diagram

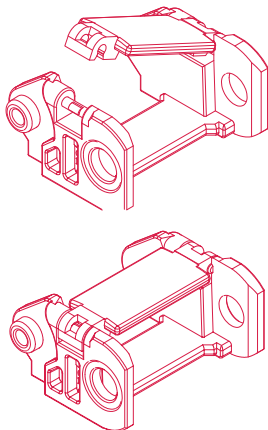
Self-supporting capacity of the cable carrier according to weight of the cables and hoses

$$\frac{K}{2}$$



How to use support rollers:

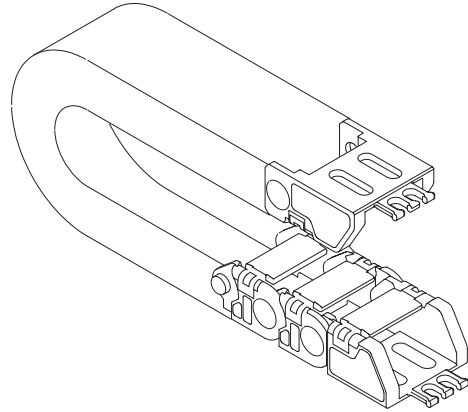
- Support rollers should be used after 2,5 meters
- Make sure that the cap (cover) is fixed properly
- Use an appropriate hand tool (screw driver) to open the cap
- Be careful not to damage the fixing nail of the cap (cover)



How to choose end bracket

End bracket

End brackets are the parts to be used to fix the cable carrier to the machine or equipment .



Should be attached to the both ends of the cable carrier

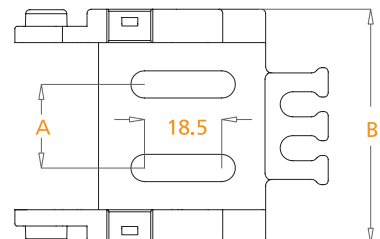
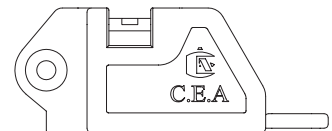
**CABLE CARRIER
CODE**

**END BRACKET
CODE**

A

B

CABLE CARRIER CODE	END BRACKET CODE	A	B
SC1.1 022 R_01	SC1.1 B022	10	36
SC1.1 040 R_01	SC1.1 B040	20	56
SC1.1 060 R_01	SC1.1 B060	40	76
SC1.1 080 R_01	SC1.1 B080	60	96



SC1.3

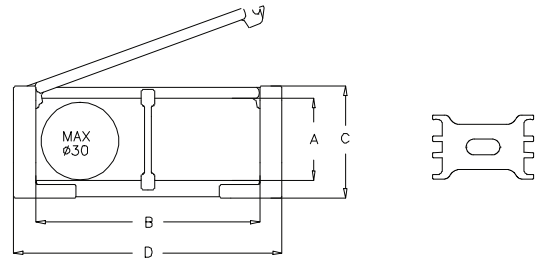
CABLE CARRIERS MEDIUM SERIES

Inner Height (A) 33mm	Code	Radius	(A)mm	(B)mm	(C)mm	(D)mm	Weight Kg/Mt
<ul style="list-style-type: none"> • One side is fixed, other (radius) side is openable • Should be used in supporting trays • Suitable for long distances • No complete cover (on both sides) • Suitable to use vertical separators 	SC1.3 040 R_01	50-75-100-150-200	33	40	50	60	1.535 Kg
	SC1.3 060 R_01	50-75-100-150-200	33	60	50	80	1.670 Kg
	SC1.3 080 R_01	50-75-100-150-200	33	80	50	100	1.805 Kg
	SC1.3 100 R_01	50-75-100-150-200	33	100	50	120	1.940 Kg
	SC1.3 120 R_01	50-75-100-150-200	33	120	50	140	2.075 Kg

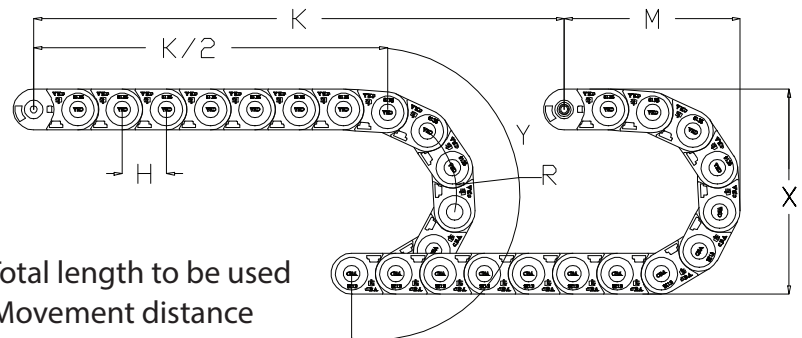
Maximum working speed :5M/S

Radius MUST be given in your orders.Example:

SC1.3 060 R100

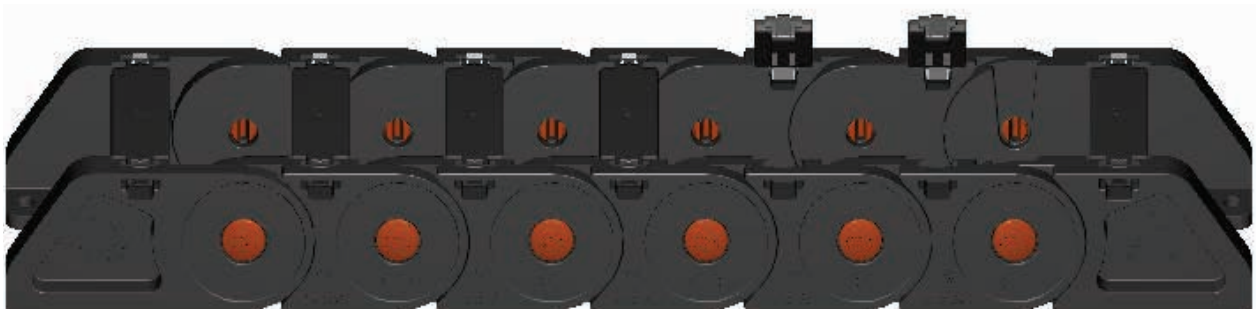


R mm	H mm	X mm	M mm	Y mm
50	54	150	106	265
75	54	200	156	343
100	54	250	206	422
150	54	350	306	579
200	54	450	406	617

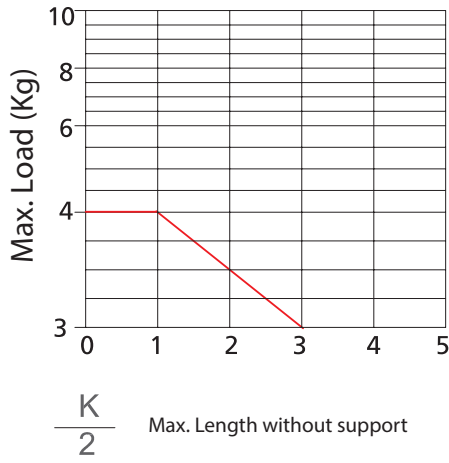


L: Total length to be used
 K: Movement distance
 Y: Radius

$$L: \frac{K}{2} + Y$$



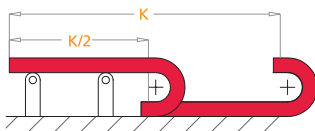
IMPORTANT POINTS



Self-supporting Capacity Diagram

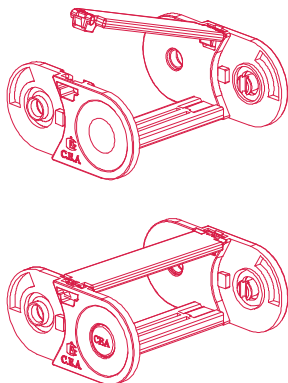
Self-supporting capacity of the cable carrier according to weight of the cables and hoses

$$\frac{K}{2}$$



How to use support rollers:

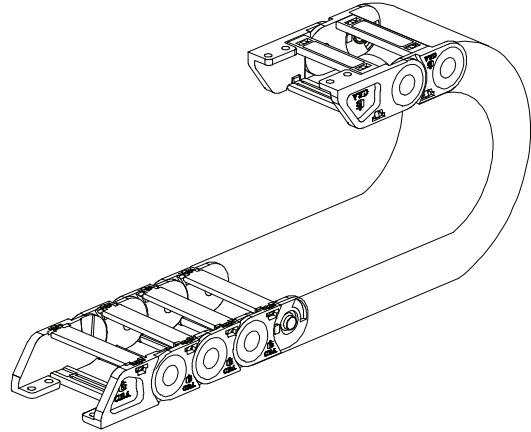
- Support rollers should be used after 3 meters
- Make sure that the cap (cover) is fixed properly
- Use an appropriate hand tool (screw driver) to open the cap
- Be careful not to damage the fixing nail of the cap (cover)



How to choose end bracket

End bracket

End brackets are the parts to be used to fix the cable carrier to the machine or equipment



Should be attached to the both ends of the cable carrier.

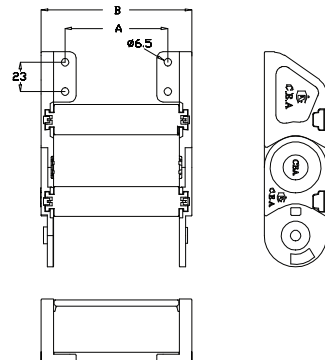
**CABLE CARRIER
CODE**

**END BRACKET
CODE**

A

B

CABLE CARRIER CODE	END BRACKET CODE	A	B
SC1.3 040 R_01	SC1.3 B040	22	60
SC1.3 060 R_01	SC1.3 B060	42	80
SC1.3 080 R_01	SC1.3 B080	62	100
SC1.3 100 R_01	SC1.3 B100	82	120
SC1.3 120 R_01	SC1.3 B120	102	140



SC1.3K

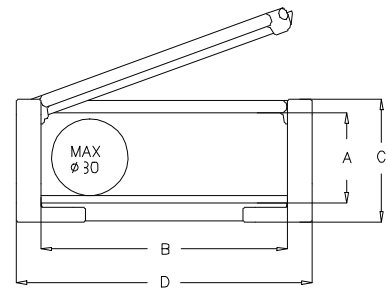
CABLE CARRIERS MEDIUM SERIES

Inner Height (A) 33mm	Code	Radius	(A)mm	(B)mm	(C)mm	(D)mm	Weight Kg/Mt
<ul style="list-style-type: none"> • One side is fixed, other (radius) is openable • Should be used in supporting trays • Suitable for long distances • Both sides have openable covers (cable carriers) 	SC1.3K 040 R_01	75-100-150-200	33	40	50	60	1.620 Kg
	SC1.3K 060 R_01	75-100-150-200	33	60	50	80	1.792 Kg
	SC1.3K 080 R_01	75-100-150-200	33	80	50	100	1.964 Kg
	SC1.3K 100 R_01	75-100-150-200	33	100	50	120	2.136 Kg

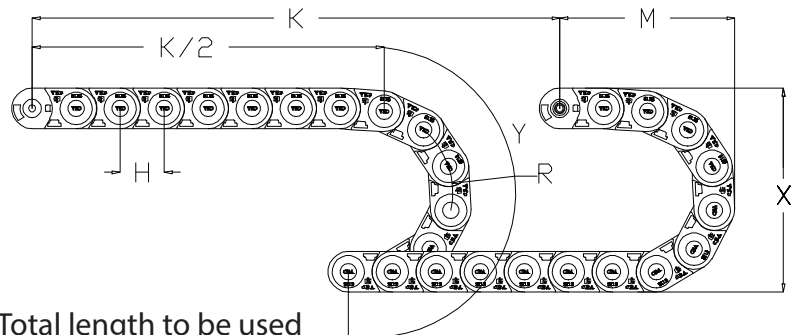
Maximum working speed :5M/S

Radius MUST be given in your orders.Example:

SC1.3K 100 R100



R mm	H mm	X mm	M mm	Y mm
75	54	200	176	343
100	54	250	176	422
150	54	350	214	579
200	54	450	215	632

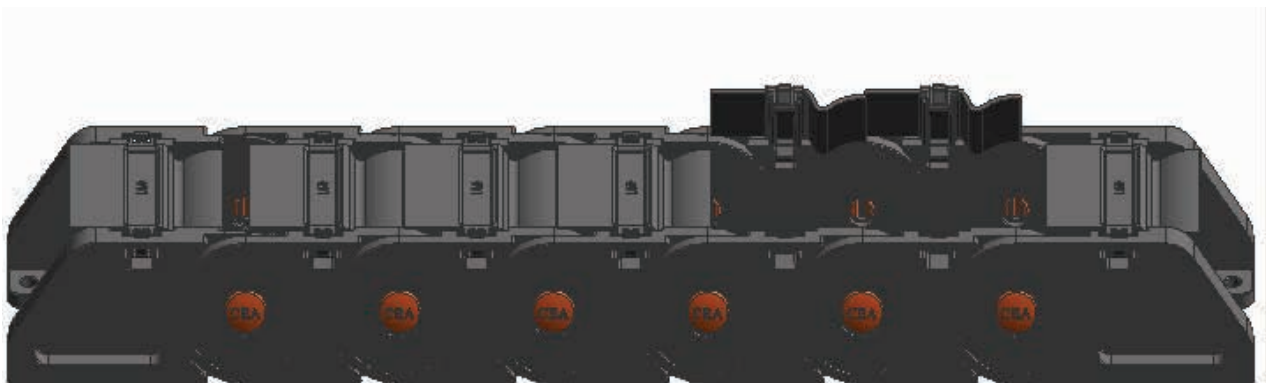


L: Total length to be used

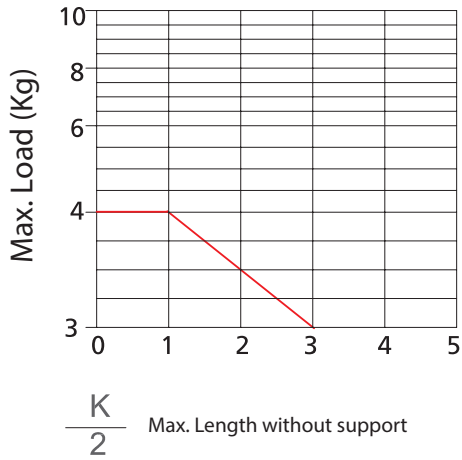
K: Movement distance

Y: Radius

$$L: \frac{K}{2} + Y$$



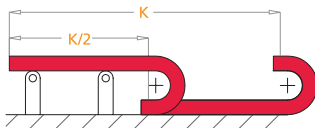
IMPORTANT POINTS



Self-supporting Capacity Diagram

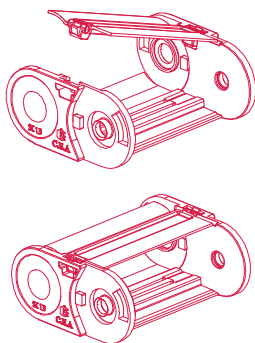
Self-supporting capacity of the cable carrier according to weight of the cables and hoses

$$\frac{K}{2}$$



How to use support rollers:

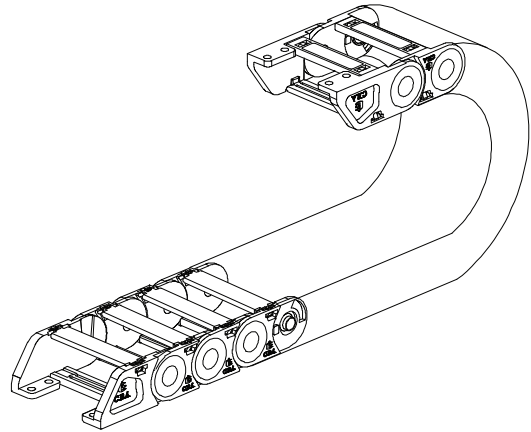
- Support rollers should be used after 3 meters
- Make sure that the cap (cover) is fixed properly
- Use an appropriate hand tool (screw driver) to open the cap
- Be careful not to damage the fixing nail of the cap (cover)



How to choose end bracket

End bracket

End brackets are the parts to be used to fix the cable carrier to the machine or equipment



Should be attached to the both ends of the cable carrier

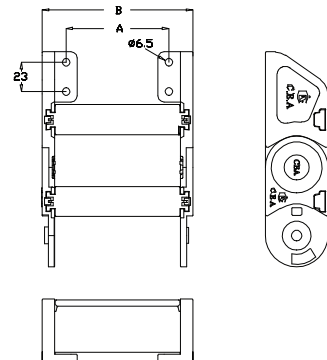
CABLE CARRIER
CODE

END BRACKET
CODE

A

B

CABLE CARRIER CODE	END BRACKET CODE	A	B
SC1.3K 040 R_01	SC1.3K B040	22	60
SC1.3K 060 R_01	SC1.3K B060	42	80
SC1.3K 080 R_01	SC1.3K B080	62	100
SC1.3K 100 R_01	SC1.3K B100	82	120



SC2

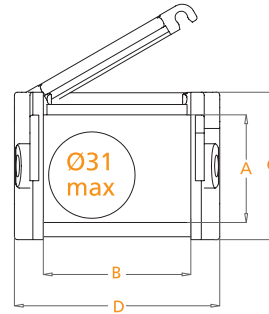
CABLE CARRIERS MEDIUM SERIES

Inner Height (A) 35mm	Code	Radius	(A)mm	(B)mm	(C)mm	(D)mm	Weight Kg/Mt
<ul style="list-style-type: none"> • One side is fixed, other (radius) side is openable • Should be used in supporting trays • Suitable for long distances • Both sides have openable covers (caps) • SC2SP 080 R_01 is self-separated model • Suitable to use vertical separators 	SC2 050 R_01	55-100-150-200	35	50	50	70	1.244 Kg
	SC2SP 080 R_01	55-100-150-200	35	80	50	99	1.580 Kg
	SC2 100 R_01	55-100-150-200	35	100	50	120	1.515 Kg

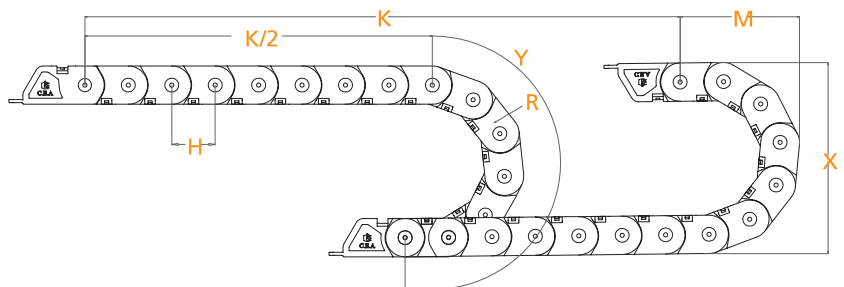
Maximum working speed :6M/S

Radius MUST be given in your orders.Example:

SC2 50 R55



R mm	H mm	X mm	M mm	Y mm
50	54	150	106	265
75	54	250	176.6	343
100	54	250	176.8	422
150	54	350	214.8	579
200	54	450	215.1	632

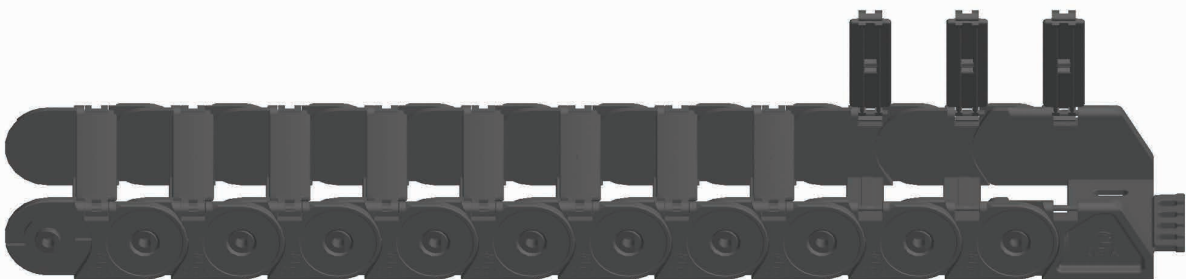


L: Total length to be used

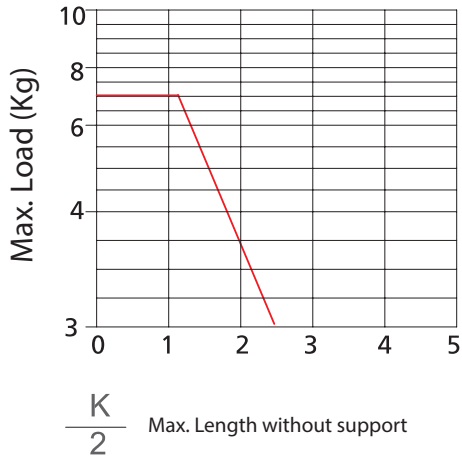
K: Movement distance

Y: Radius

$$L: \frac{K}{2} + Y$$



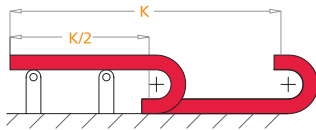
IMPORTANT POINTS



Self-supporting Capacity Diagram

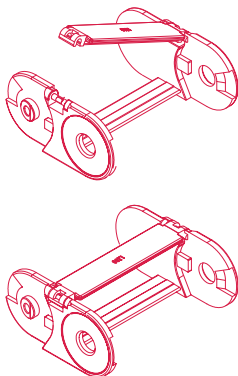
Self-supporting capacity of the cable carrier according to weight of the cables and hoses

$$\frac{K}{2}$$



How to use support rollers:

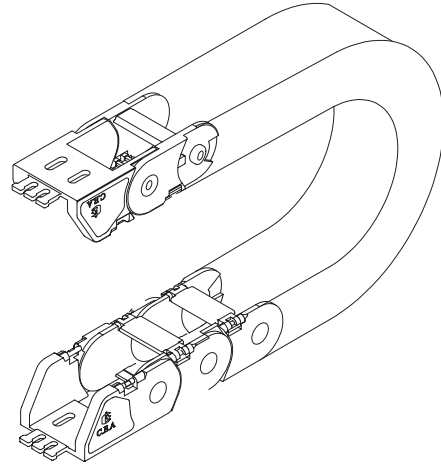
- Support rollers should be used after 3 meters
- Make sure that the cap (cover) is fixed properly
- Use an appropriate hand tool (screw driver) to open the cap
- Be careful not to damage the fixing nail of the cap (cover)



How to choose end bracket

End bracket

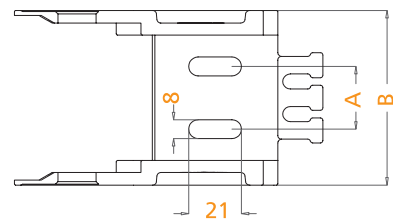
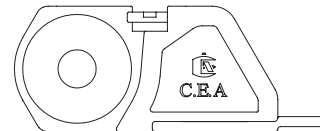
End brackets are the parts to be used to fix the cable carrier to the machine or equipment



Should be attached to the both ends of the cable carrier.

CABLE CARRIER CODE	END BRACKET CODE	A	B
--------------------	------------------	---	---

SC2 050 R_01	SC2 B050	20	66
SC2SP 080 R_01	SC2 B080	50	99
SC2 100 R_01	SC2 B100	70	120



SC2K

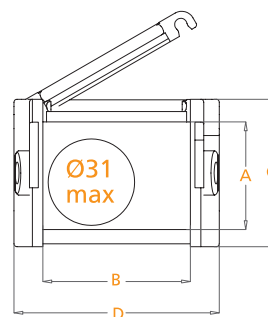
CABLE CARRIERS MEDIUM SERIES

Inner Height (A) 35mm	Code	Radius	(A)mm	(B)mm	(C)mm	(D)mm	Weight Kg/Mt
<ul style="list-style-type: none"> • One side is fixed, other (radius) side is openable • Should be used in supporting trays • Suitable for long distances • Both sides have openable covers (caps) 	SC2K 100 R_01	100-150-200	35	100	50	120	1.987 Kg

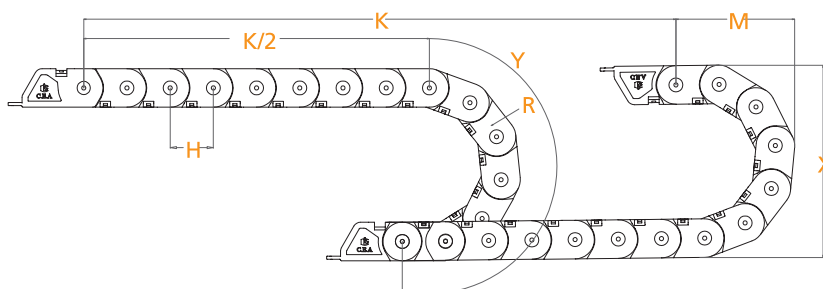
Maximum working speed :6M/S

Radius MUST be given in your orders.Example:

SC2K 100 R100



R mm	H mm	X mm	M mm	Y mm
100	56	250	181	426
150	56	350	228	562
200	56	450	288	712

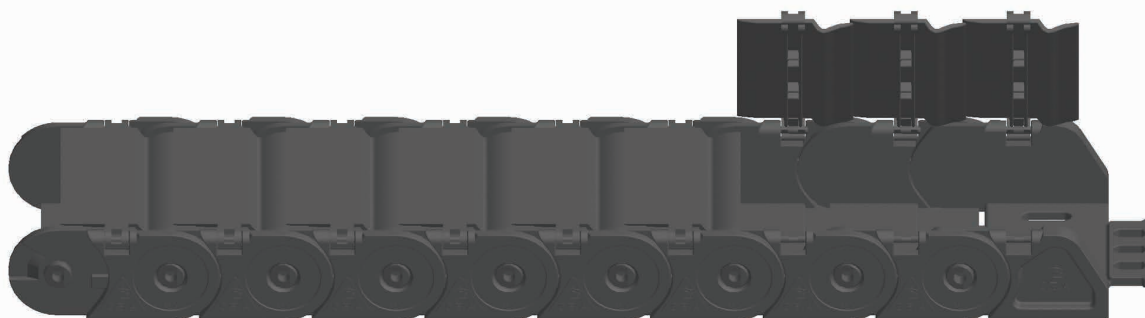


L: Total length to be used

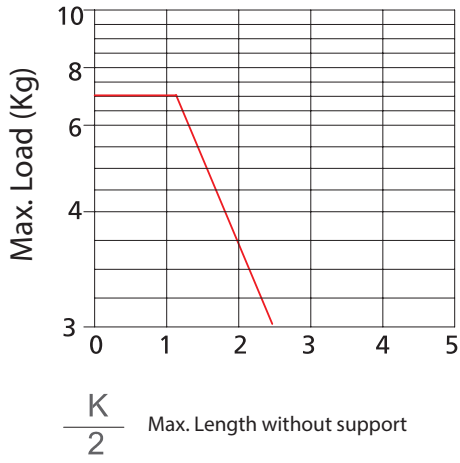
K: Movement distance

Y: Radius

$$L: \frac{K}{2} + Y$$



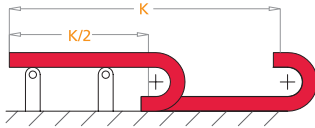
IMPORTANT POINTS



Self-supporting Capacity Diagram

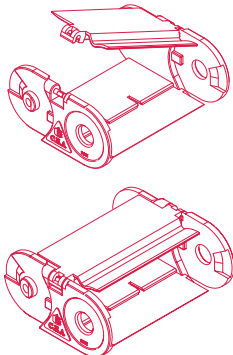
Self-supporting capacity of the cable carrier according to weight of the cables and hoses

$$\frac{K}{2}$$



How to use support rollers:

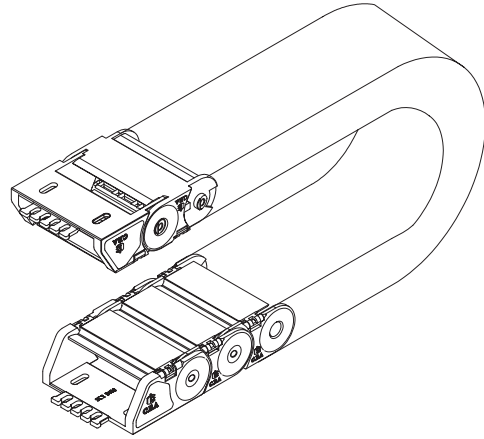
- Support rollers should be used after 3 meters
- Make sure that the cap (cover) is fixed properly
- Use an appropriate hand tool (screw driver) to open the cap
- Be careful not to damage the fixing nail of the cap (cover).



How to choose end bracket

End bracket

End brackets are the parts to be used to fix the cable carrier to the machine or equipment



Should be attached to the both ends of the cable carrier.

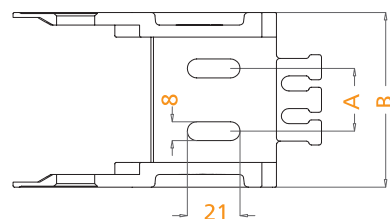
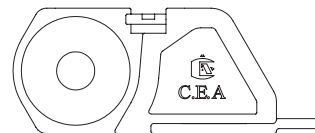
CABLE CARRIER
CODE

END BRACKET
CODE

A

B

CABLE CARRIER CODE	END BRACKET CODE	A	B
SC2K 100 R_01	SC2 B100	70	120



SC2YK

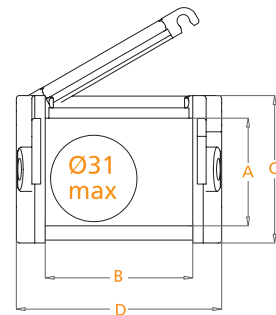
CABLE CARRIERS MEDIUM SERIES

Inner Height (A) 35mm	Code	Radius	(A)mm	(B)mm	(C)mm	(D)mm	Weight Kg/Mt
<ul style="list-style-type: none"> • One side has fixed and complete cover, other side (radius side) has openable cover (cap) • Bottom side is completely closed, up side is open • Semi-open model • Should be used in supporting trays 	SC2AK 100 R_01	100-150-200	35	100	50	120	1.835 Kg

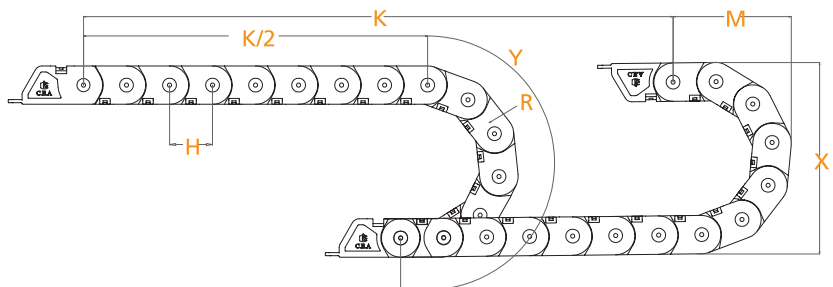
Maximum working speed :6M/S

Radius MUST be given in your orders.Example:

SC2YK 100 R100



R mm	H mm	X mm	M mm	Y mm
100	56	250	181	426
150	56	350	228	562
200	56	450	278	712

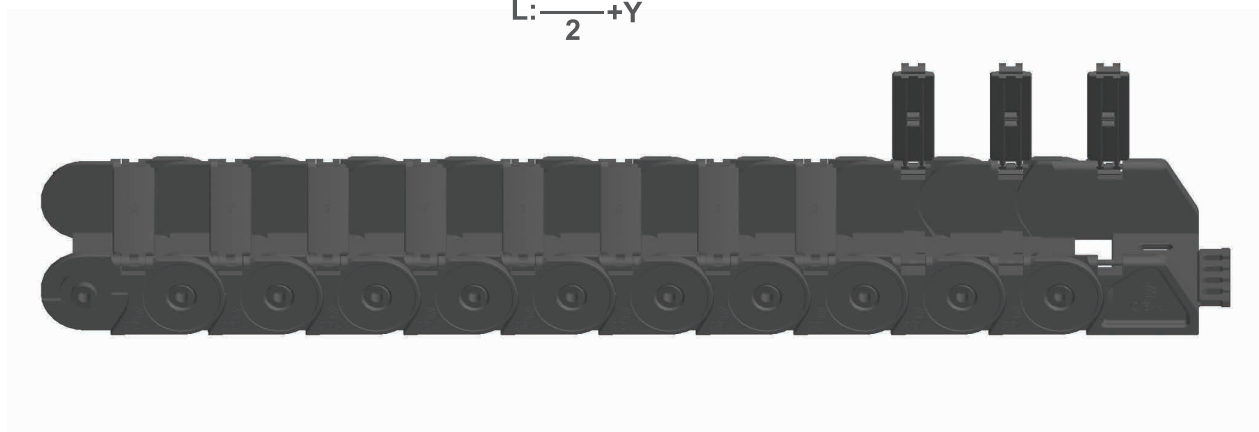


L: Total length to be used

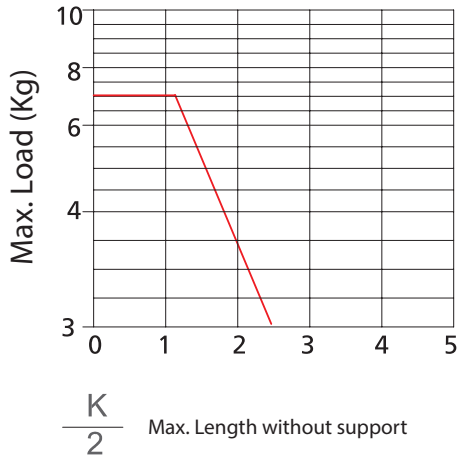
K: Movement distance

Y: Radius

$$L: \frac{K}{2} + Y$$



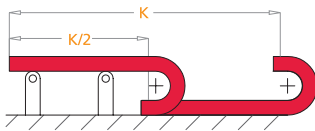
IMPORTANT POINTS



Self-supporting Capacity Diagram

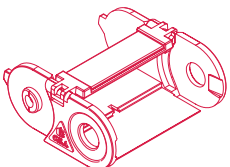
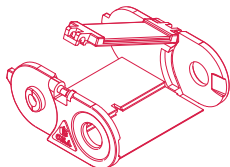
Self-supporting capacity of the cable carrier according to weight of the cables and hoses

$$\frac{K}{2}$$



How to use support rollers:

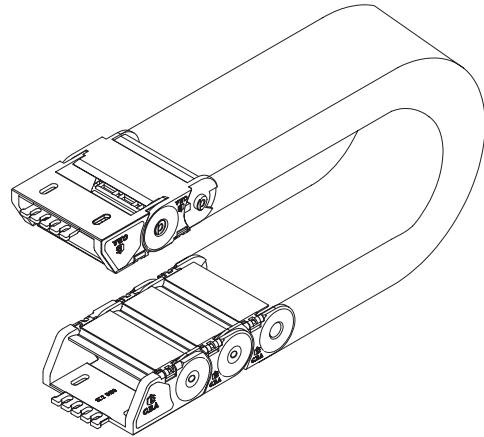
- Support rollers should be used after 3 meters
- Make sure that the cap (cover) is fixed properly
- Use an appropriate hand tool (screw driver) to open the cap
- Be careful not to damage the fixing nail of the cap (cover)



How to choose end bracket

End bracket

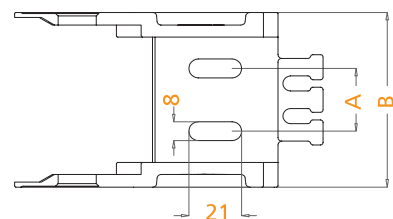
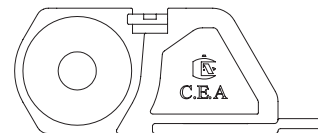
End brackets are the parts to be used to fix the cable carrier to the machine or equipment.



Should be attached to the both ends of the cable carrier

CABLE CARRIER CODE	END BRACKET CODE	A	B
--------------------	------------------	---	---

CABLE CARRIER CODE	END BRACKET CODE	A	B
SC2YK 100 R_01	SC2 B100	70	120



SD1K

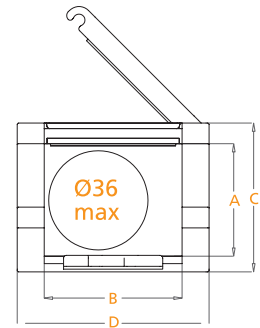
CABLE CARRIERS MEDIUM SERIES

Inner Height (A) 40mm	Code	Radius	(A)mm	(B)mm	(C)mm	(D)mm	Weight Kg/Mt
<ul style="list-style-type: none"> • One side is fixed, other (radius) side is openable • Should be used in supporting trays • Suitable for long distances • Both sides have openable covers (caps) 	SD1K 050 R_01	100-150-200-250	40	50	55	70	1.670 Kg
	SD1K 080 R_01	100-150-200-250	40	80	55	100	1.845 Kg

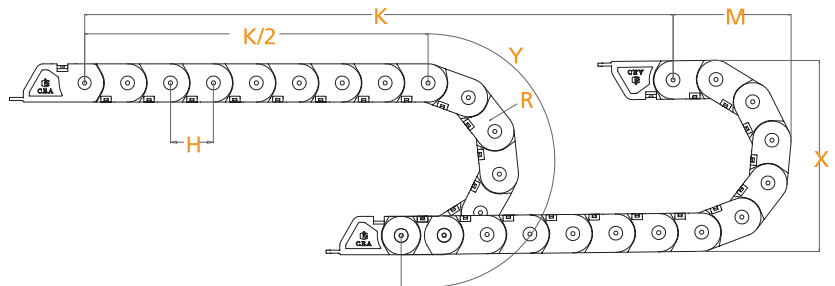
Maximum working speed :6M/S

Radius MUST be given in your orders.Example:

SD1K 050 R100



R mm	H mm	X mm	M mm	Y mm
100	60	250	187	426
150	60	350	237	583
200	60	450	287	740
250	60	550	338	890

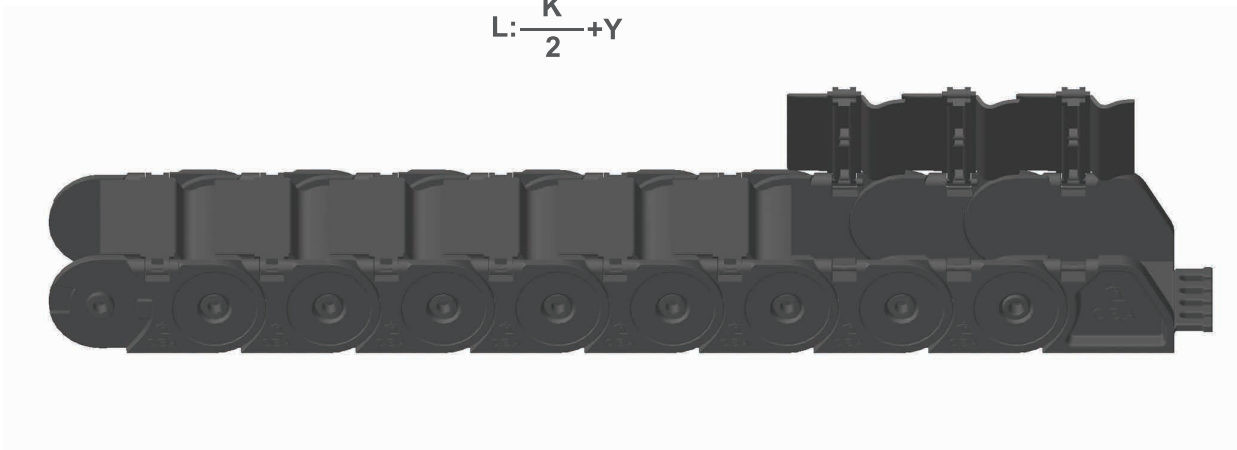


L: Total length to be used

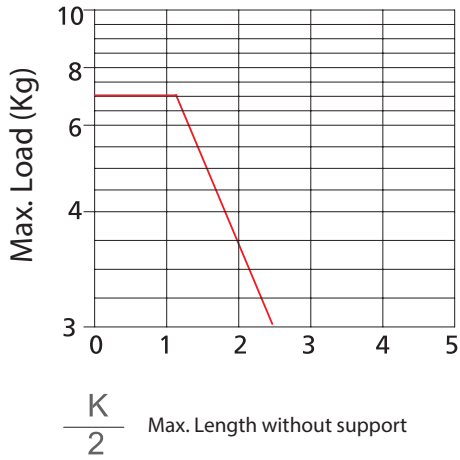
K: Movement distance

Y: Radius

$$L: \frac{K}{2} + Y$$



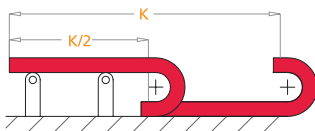
IMPORTANT POINTS



Self-supporting Capacity Diagram

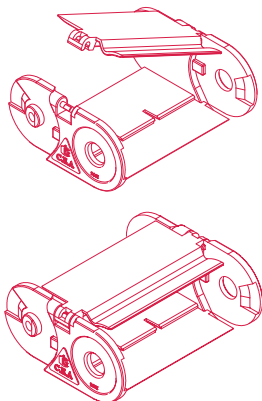
Self-supporting capacity of the cable carrier according to weight of the cables and hoses

$$\frac{K}{2}$$



How to use support rollers:

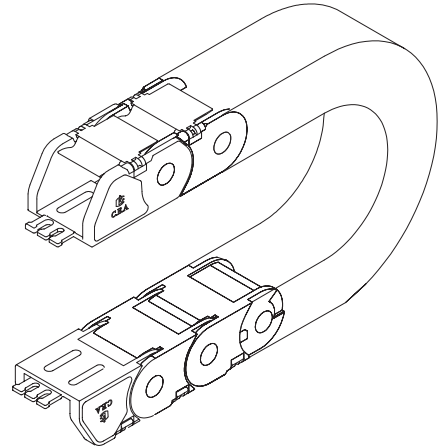
- Support rollers should be used after 3.5 meters
- Make sure that the cap (cover) is fixed properly
- Use an appropriate hand tool (screw driver) to open the cap
- Be careful not to damage the fixing nail of the cap (cover)



How to choose end bracket

End bracket

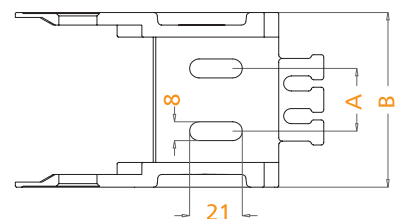
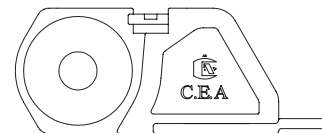
End brackets are the parts to be used to fix the cable carrier to the machine or equipment .



Should be attached to the both ends of the cable carrier

CABLE CARRIER CODE	END BRACKET CODE	A	B
--------------------	------------------	---	---

SD1K 050 R_01	SD1K B050	26	70
SD1K 080 R_01	SD1K B080	50	100



SD1YK

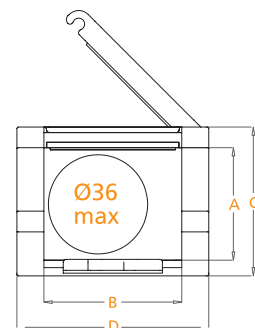
CABLE CARRIERS MEDIUM SERIES

Inner Height (A) 40mm	Code	Radius	(A)mm	(B)mm	(C)mm	(D)mm	Weight Kg/Mt
<ul style="list-style-type: none"> • One side has fixed and complete cover, other side (radius side) has openable cover (cap) • Bottom side is completely closed, upside is open • Semi-open model • Should be used in supporting trays 	SD1YK 050 R_01	100-150-200-250	40	50	55	70	1.670 Kg
	SD1YK 080 R_01	100-150-200-250	40	80	55	100	1.845 Kg

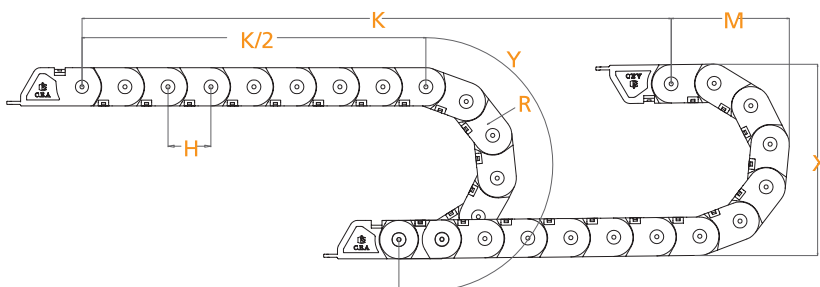
Maximum working speed :6M/S

Radius MUST be given in your orders.Example:

SD1YK 050 R100



R mm	H mm	X mm	M mm	Y mm
100	60	250	187	426
150	60	350	237	583
200	60	450	287	740
250	60	550	338	890

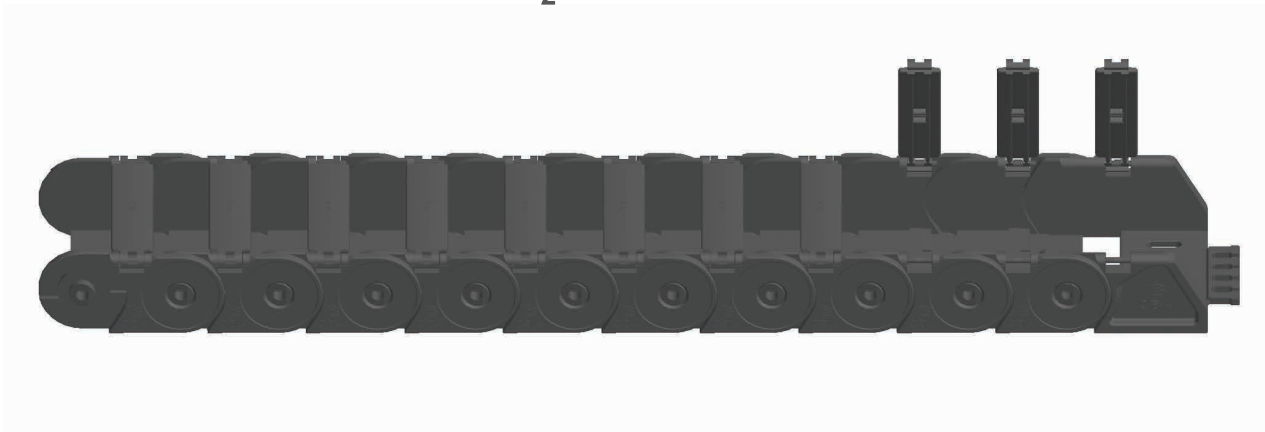


L: Total length to be used

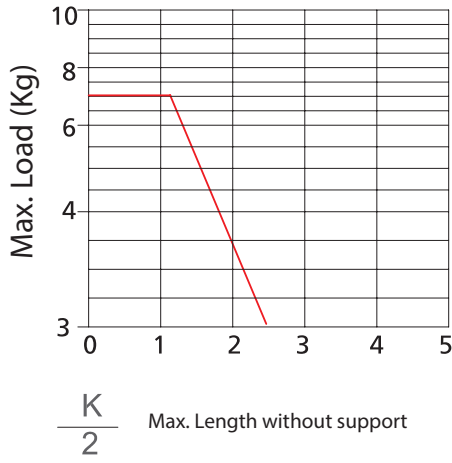
K: Movement distance

Y: Radius

$$L: \frac{K}{2} + Y$$



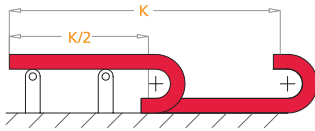
IMPORTANT POINTS



Self-supporting Capacity Diagram

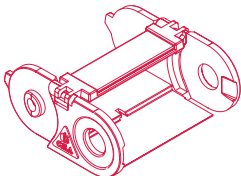
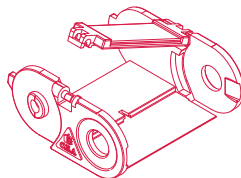
Self-supporting capacity of the cable carrier according to weight of the cables and hoses

$$\frac{K}{2}$$



How to use support rollers:

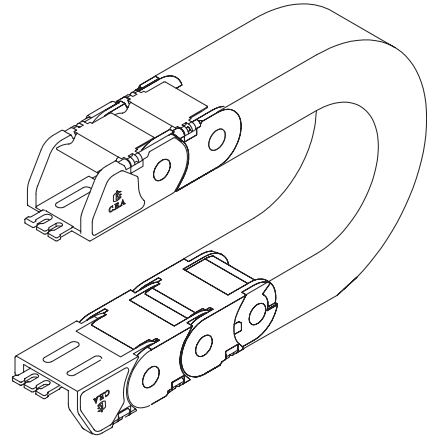
- Support rollers should be used after 3,5 meters
- Make sure that the cap (cover) is fixed properly
- Use an appropriate hand tool (screw driver) to open the cap
- Be careful not to damage the fixing nail of the cap (cover)



How to choose end bracket

End bracket

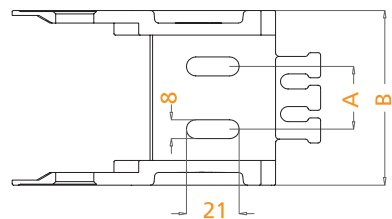
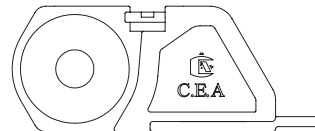
End brackets are the parts to be used to fix the cable carrier to the machine or equipment



Should be attached to the both ends of the cable carrier

CABLE CARRIER CODE	END BRACKET CODE	A	B
--------------------	------------------	---	---

SD1YK 050 R_01	SD1K B050	26	70
SD1YK 080 R_01	SD1K B080	50	100



SD1.3

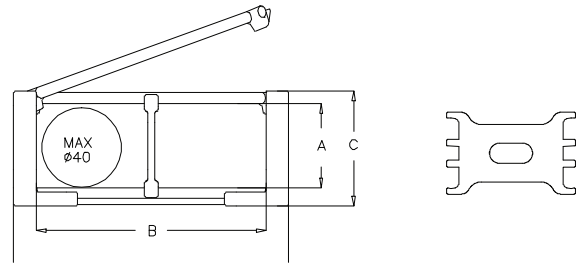
CABLE CARRIERS MEDIUM SERIES

Inner Height (A) 43mm	Code	Radius	(A)mm	(B)mm	(C)mm	(D)mm	Weight Kg/Mt
<ul style="list-style-type: none"> • One side is fixed, other (radius) side is openable • Should be used in supporting trays • Suitable for long distances • No complete cover (on both sides) • Suitable to use vertical separators 	SD1.3 040 R_01	75-100-150-200-250	43	40	58	64	1.835 Kg
	SD1.3 060 R_01	75-100-150-200-250	43	60	58	84	1.944 Kg
	SD1.3 080 R_01	75-100-150-200-250	43	80	58	104	12.503 Kg
	SD1.3 100 R_01	75-100-150-200-250	43	100	58	124	2.612 Kg
	SD1.3 120 R_01	75-100-150-200-250	43	120	58	144	2.721 Kg

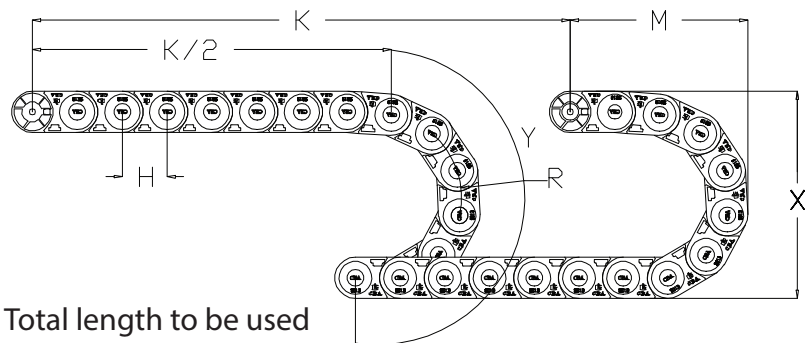
Maximum working speed :5M/S

Radius MUST be given in your orders.Example:

SD1.3 100 R100



R mm	H mm	X mm	M mm	Y mm
75	63	208	158	352
100	63	258	168	430
150	63	358	243	587
200	63	458	259	774
250	63	558	289	885

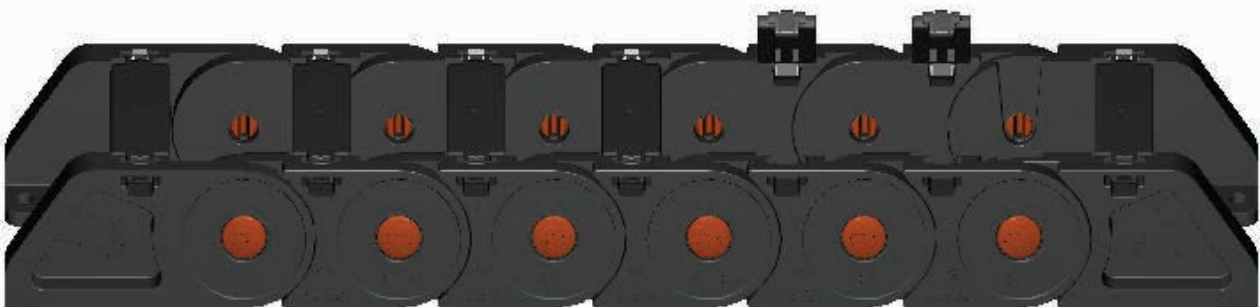


L: Total length to be used

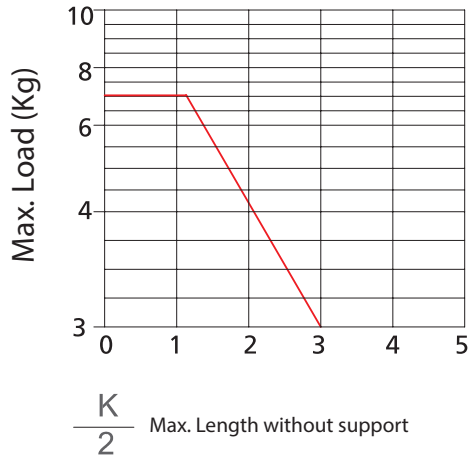
K: Movement distance

Y: Radius

$$L: \frac{K}{2} + Y$$



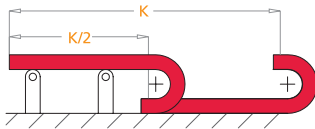
IMPORTANT POINTS



Self-supporting Capacity Diagram

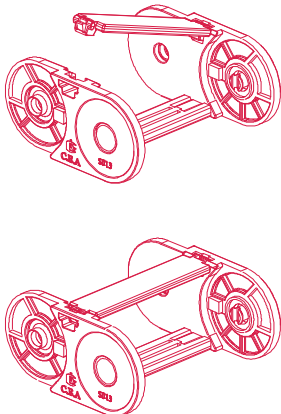
Self-supporting capacity of the cable carrier according to weight of the cables and hoses

$$\frac{K}{2}$$



How to use support rollers:

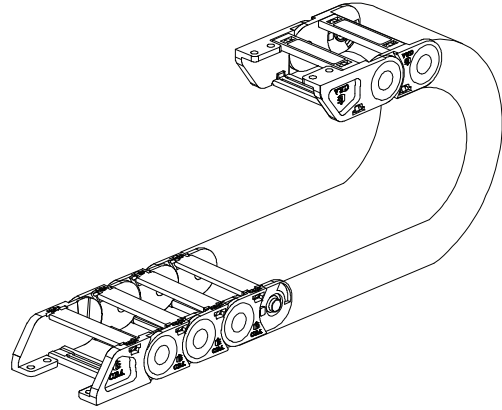
- Support rollers should be used after 3,5 meters
- Make sure that the cap (cover) is fixed properly
- Use an appropriate hand tool (screw driver) to open the cap
- Be careful not to damage the fixing nail of the cap (cover)



How to choose end bracket

End bracket

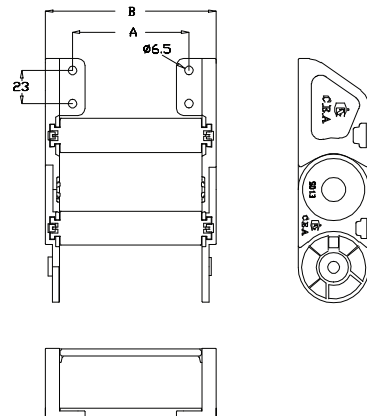
End brackets are the parts to be used to fix the cable carrier to the machine or equipment



Should be attached to the both ends of the cable carrier

CABLE CARRIER CODE	END BRACKET CODE	A	B
--------------------	------------------	---	---

SD1.3 040 R_01	SD1.3 B040	22	64
SD1.3 060 R_01	SD1.3 B060	42	84
SD1.3 080 R_01	SD1.3 B080	62	104
SD1.3 100 R_01	SD1.3 B100	82	124
SD1.3 120 R_01	SD1.3 B120	102	144



SD1.3K

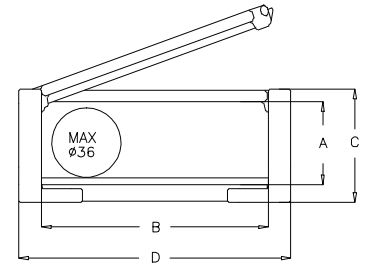
CABLE CARRIERS MEDIUM SERIES

Inner Height (A) 43mm	Code	Radius	(A)mm	(B)mm	(C)mm	(D)mm	Weight Kg/Mt
<ul style="list-style-type: none"> • One side is fixed, other (radius) side • Should be used in supporting trays • Suitable for long distances • Both sides have openable covers (caps) 	SD1.3K 040 R_01	100-150-200-250	43	40	58	64	1.991 Kg
	SD1.3K 060 R_01	100-150-200-250	43	60	58	84	2.329 Kg
	SD1.3K 080 R_01	100-150-200-250	43	80	58	104	2.667 Kg
	SD1.3K 100 R_01	100-150-200-250	43	100	58	124	3.005 Kg

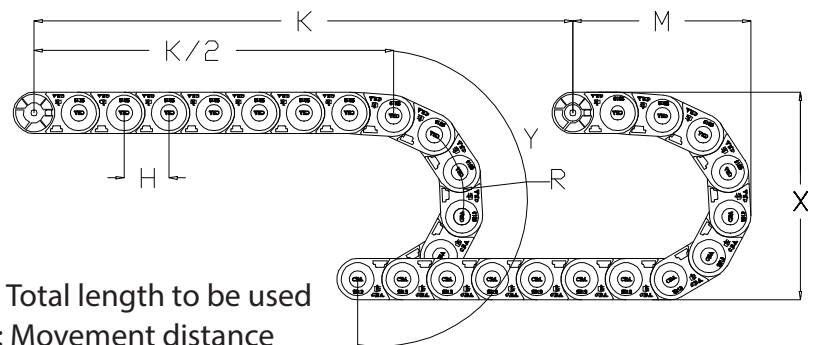
Maximum working speed :5M/S

Radius MUST be given in your orders.Example:

SD1.3K 100 R100



R mm	H mm	X mm	M mm	Y mm
100	63	258	168	430
150	63	358	243	587
200	63	458	259	774
250	63	558	359	874

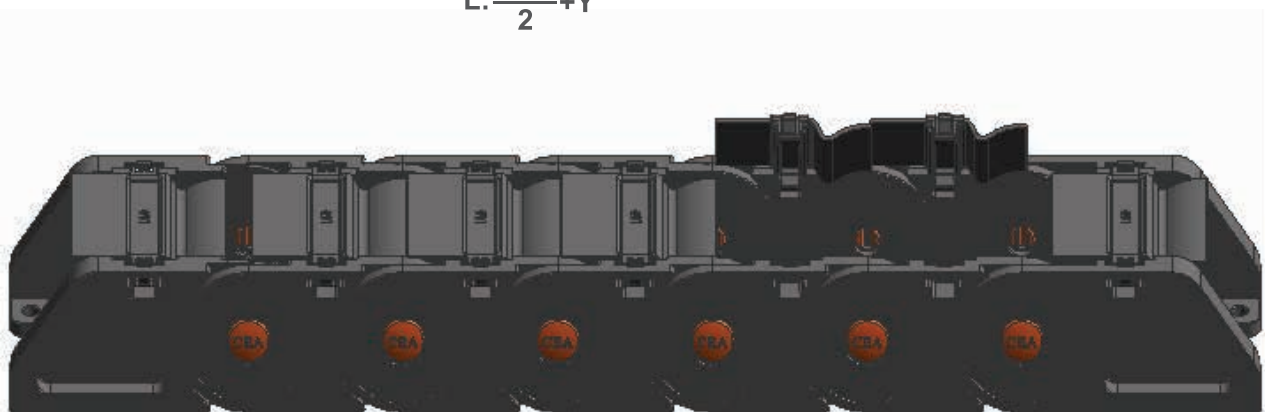


L: Total length to be used

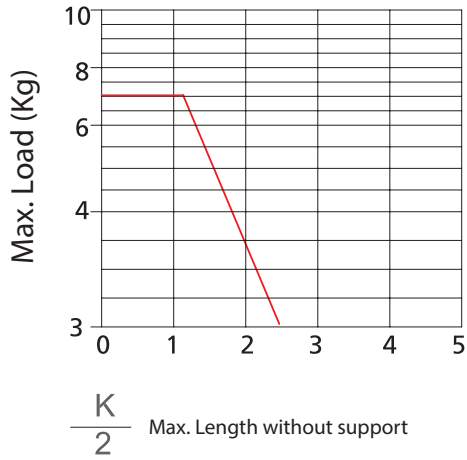
K: Movement distance

Y: Radius

$$L: \frac{K}{2} + Y$$



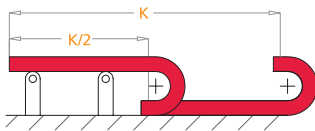
IMPORTANT POINTS



Self-supporting Capacity Diagram

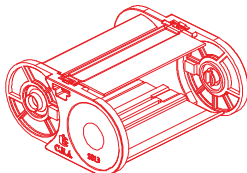
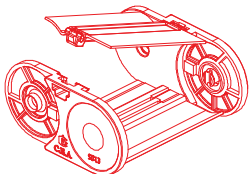
Self-supporting capacity of the cable carrier according to weight of the cables and hoses

$$\frac{K}{2}$$



How to use support rollers:

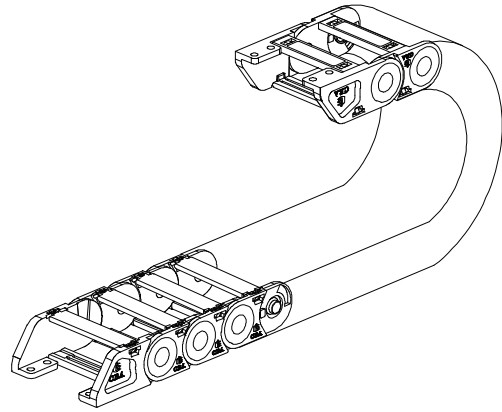
- Support rollers should be used after 3,5 meters
- Make sure that the cap (cover) is fixed properly
- Use an appropriate hand tool (screw driver) to open the cap
- Be careful not to damage the fixing nail of the cap (cover)



How to choose end bracket

End bracket

End brackets are the parts to be used to fix the cable carrier to the machine or equipment.



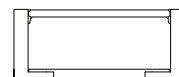
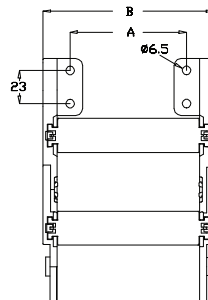
Should be attached to the both ends of the cable carrier.

CABLE CARRIER
CODE

END BRACKET
CODE

A B

CABLE CARRIER CODE	END BRACKET CODE	A	B
SD1.3K 040 R_01	SD1.3K B040	22	64
SD1.3K 060 R_01	SD1.3K B060	42	84
SD1.3K 080 R_01	SD1.3K B080	62	104
SD1.3K 100 R_01	SD1.3K B100	82	124



S045

CABLE CARRIERS MEDIUM SERIES

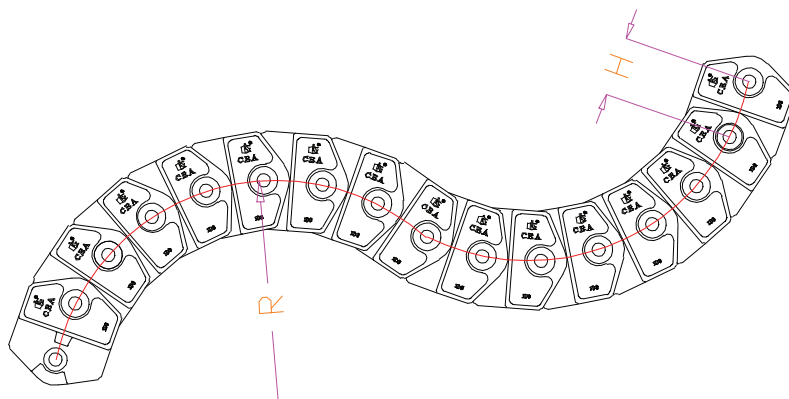
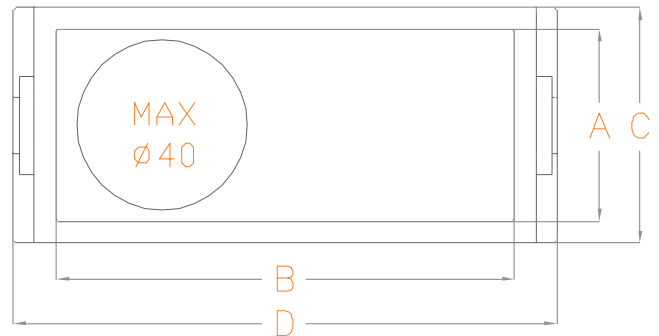
Inner Height(A) 43mm	Code	Radius	(A)mm	(B)mm	(C)mm	(D)mm	Weight Kg/Mt
<ul style="list-style-type: none"> No cover (cap) on top and bottom sides Has radius to both sides. 	S045 110 R_01	70	43	110	45	130	760 Kg

Maximum working speed :5M/S

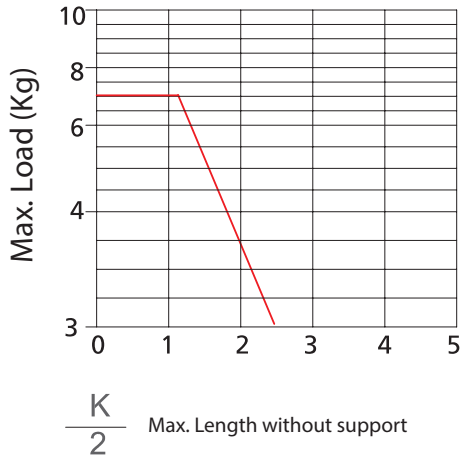
Radius MUST be given in your orders. Example:

S045 110 R70

R mm	H mm	X mm	M mm	Y mm
70	25	133	91.5	150



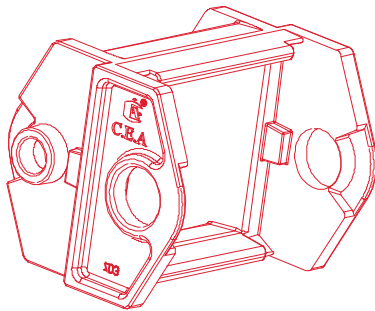
IMPORTANT POINTS



Self-supporting Capacity Diagram

Self-supporting capacity of the cable carrier according to weight of the cables and hoses

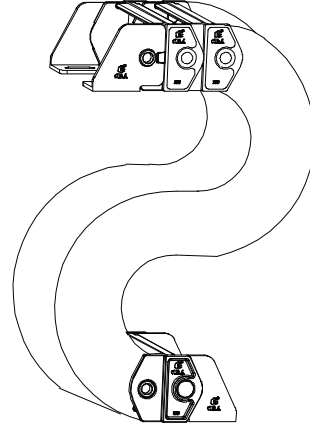
$$\frac{K}{2}$$



How to choose end bracket

End bracket

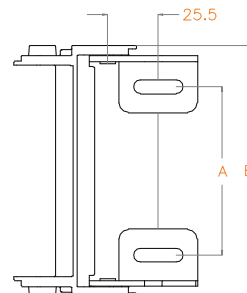
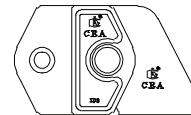
End brackets are the parts to be used to fix the cable carrier to the machine or equipment.



Should be attached to the both ends of the cable carrier.

CABLE CARRIER CODE **END BRACKET CODE** **A** **B**

CABLE CARRIER CODE	END BRACKET CODE	A	B
S045 110 R_01	S045 B110	X	X

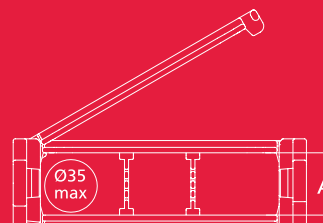






CABLE CARRIERS HEAVY SERIES

CODE	INNER HEIGHT (A)	PAGE NO
SD0	40 mm	Page : 56- 57
SD0 K	40 mm	Page : 58-59
SD5	50 mm	Page : 60-61
SD9	60 mm	Page : 62-63
SD9 K	60 mm	Page : 64-65
SE9	80 mm	Page : 66-67
HEAVY SERIES WITH ALUMINUM BAR		
SD0 AL	32 mm	Page : 68-69
SD9 AL	52 mm	Page : 70-71
SE9 AL	72 mm	Page : 72-73



SD0

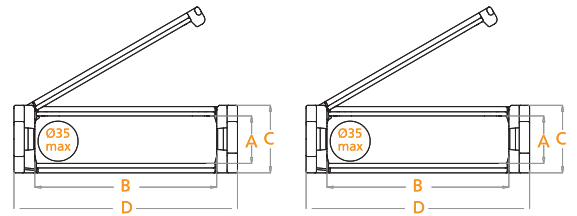
CABLE CARRIERS HEAVY SERIES

Inner Height (A) 40mm	Code	Radius	(A)mm	(B)mm	(C)mm	(D)mm	Weight Kg/Mt
<ul style="list-style-type: none"> • Both up and down sides are openable • Suitable for long distances • No complete covers (caps)(on both sides) • Should be used in supporting tray • Suitable to use both vertical and horizontal separators 	SD0 080 R_01	125-150-170-200-220-285-350	40	080	60	120	2.120 Kg
	SD0 100 R_01	125-150-170-200-220-285-350	40	100	60	140	2.200 Kg
	SD0 120 R_01	125-150-170-200-220-285-350	40	120	60	160	2.300 Kg
	SD0 140 R_01	125-150-170-200-220-285-350	40	140	60	180	2.400 Kg
	SD0 175 R_01	125-150-170-200-220-285-350	40	175	60	215	2.560 Kg
	SD0 200 R_01	125-150-170-200-220-285-350	40	200	60	240	2.680 Kg

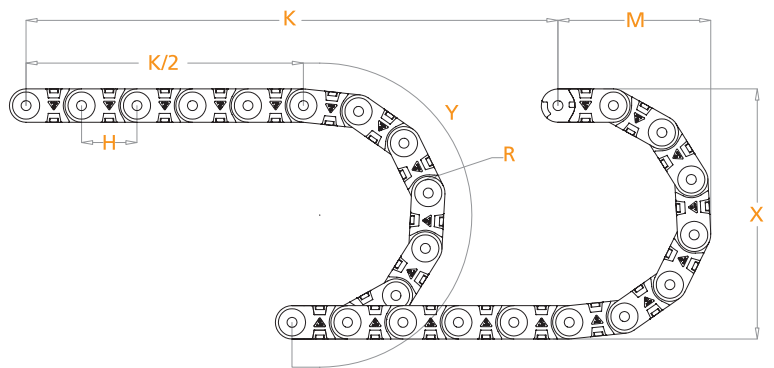
Maximum working speed :5M/S

Radius MUST be given in your orders.Example:

SD0 100 R150



R mm	H mm	X mm	M mm	Y mm
125	100	320	270	590
150	100	360	290	630
170	100	400	310	730
200	100	460	360	820
220	100	500	390	891
285	100	630	425	1095
350	100	760	490	1299

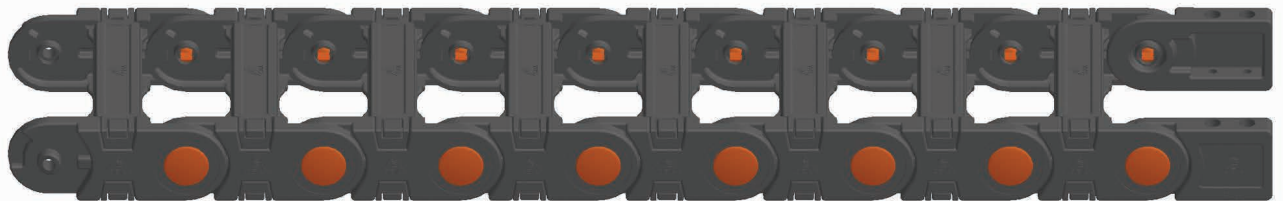


L: Total length to be used

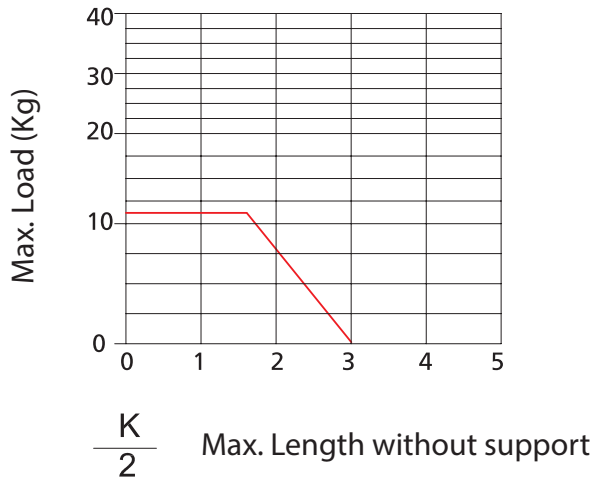
K: Movement distance

Y: Radius

$$L: \frac{K}{2} + Y$$



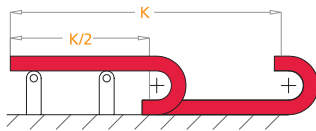
IMPORTANT POINTS



Self-supporting Capacity Diagram

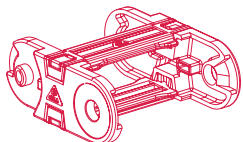
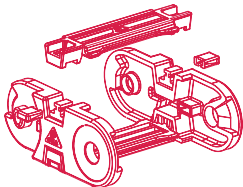
Self-supporting capacity of the cable carrier according to weight of the cables and hoses

$$\frac{K}{2}$$



How to use support rollers:

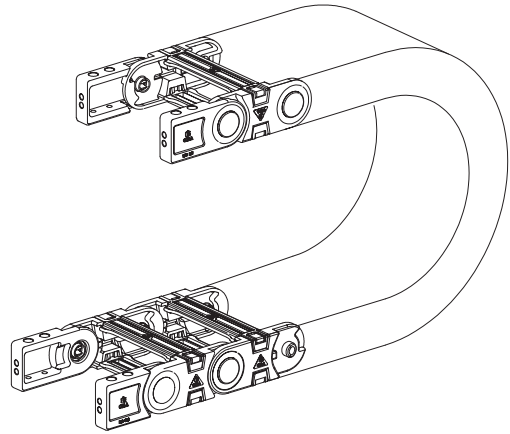
- Support rollers should be used after 4 meters
- Make sure that the cap (cover) is fixed properly
- Use an appropriate hand tool (screw driver) to open the cap
- Be careful not to damage the fixing nail of the cap (cover)
- Be sure that side stoppers, used to fix end brackets are fixed properly



How to choose end bracket

End bracket

End brackets are the parts to be used to fix the cable carrier to the machine or equipment



Should be attached to the both ends of the cable carrier.

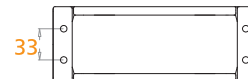
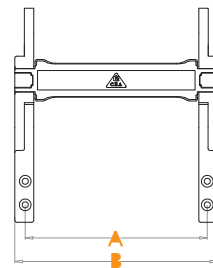
CABLE CARRIER CODE

END BRACKET CODE

A

B

CABLE CARRIER CODE	END BRACKET CODE	A	B
SD0 080 R01	SD0 B01	100	120
SD0 100 R01	SD0 B01	120	140
SD0 120 R01	SD0 B01	140	160
SD0 140 R01	SD0 B01	160	180
SD0 175 R01	SD0 B01	195	215
SD0 200 R01	SD0 B01	220	240



SDOK

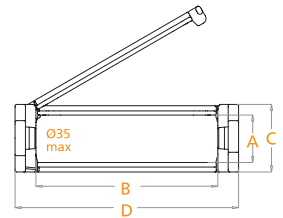
CABLE CARRIERS HEAVY SERIES

Inner Height (A) 40mm	Code	Radius	(A)mm	(B)mm	(C)mm	(D)mm	Weight Kg/Mt
<ul style="list-style-type: none"> • Both up and down sides are openable • Suitable for long distances • Both up and down sides have complete covers (caps) • Should be used in supporting tray 	SD0K 100 R_01	125-150-170-200-220-285-350	40	100	60	140	2.500 Kg
	SD0K 140 R_01	125-150-170-200-220-285-350	40	140	60	180	2.900 Kg
	SD0K 200 R_01	125-150-170-200-220-285-350	40	200	60	240	3.500 Kg

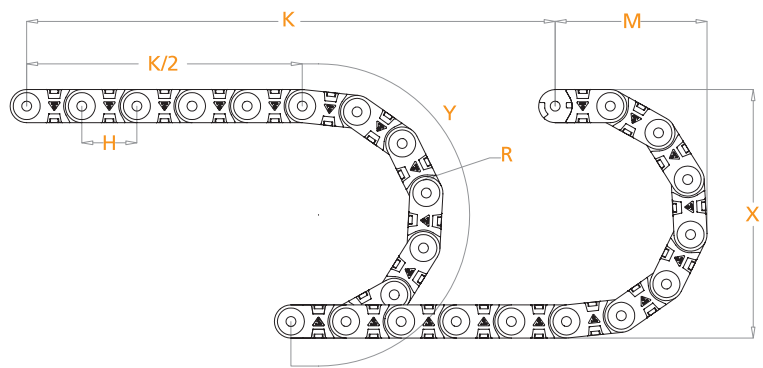
Maximum working speed :5M/S

Radius MUST be given in your orders.Example:

SD0K 100 R150



R mm	H mm	X mm	M mm	Y mm
125	100	320	270	590
150	100	360	290	630
170	100	400	310	730
200	100	460	360	820
220	100	500	390	891
285	100	630	425	1095
350	100	760	490	1299



L: Total length to be used

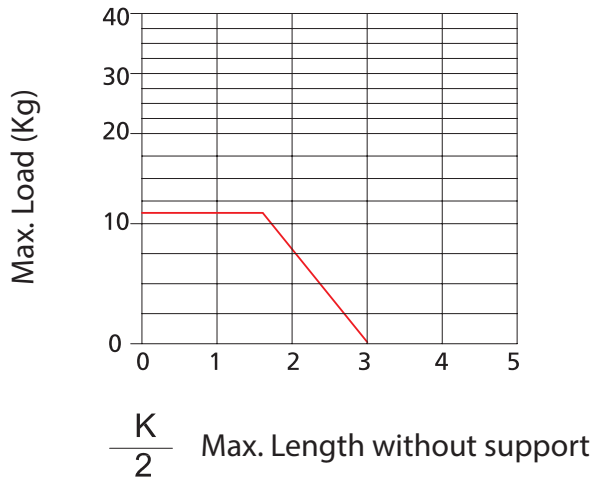
K: Movement distance

Y: Radius

$$L: \frac{K}{2} + Y$$



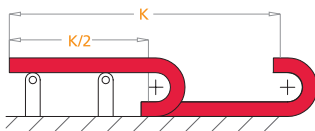
IMPORTANT POINTS



Self-supporting Capacity Diagram

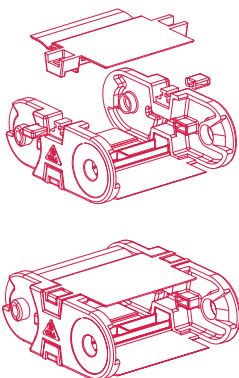
Self-supporting capacity of the cable carrier according to weight of the cables and hoses

$$\frac{K}{2}$$



How to use support rollers:

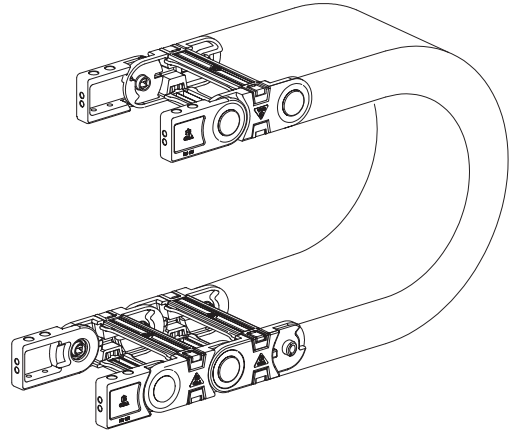
- Support rollers should be used after 4 meters
- Make sure that the cap (cover) is fixed properly
- Use an appropriate hand tool (screw driver) to open the cap
- Be careful not to damage the fixing nail of the cap (cover)
- Be sure that side stoppers, used to fix end brackets are fixed properly



How to choose end bracket

End bracket

End brackets are the parts to be used to fix the cable carrier to the machine or equipment



Should be attached to the both ends of the cable carrier.

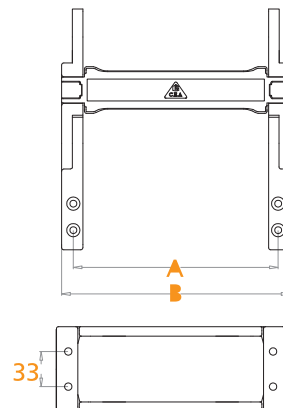
CABLE CARRIER CODE

END BRACKET CODE

A

B

CABLE CARRIER CODE	END BRACKET CODE	A	B
SD0K 100 R01	SD0 B01	100	140
SD0K 140 R01	SD0 B01	160	180
SD0K 200 R01	SD0 B01	220	240



SD5

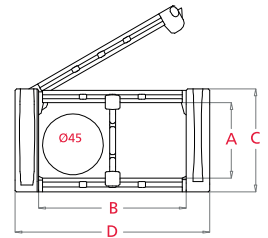
CABLE CARRIERS HEAVY SERIES

Inner Height (A) 50mm	Code	Radius	(A)mm	(B)mm	(C)mm	(D)mm	Weight Kg/Mt
<ul style="list-style-type: none"> • Both up and down sides are openable • Suitable for long distances • No complete covers (caps)(on both sides) • Suitable to use vertical separators. 	SD5 50 R_01	100-150-200-250-300	50	50	70	82	2.070 Kg
	SD5 100 R_01	100-150-200-250-300	50	100	70	132	2.364 Kg
	SD5 150 R_01	100-150-200-250-300	50	150	70	182	2.640 Kg
	SD5 200 R_01	100-150-200-250-300	50	200	70	232	2.934 Kg

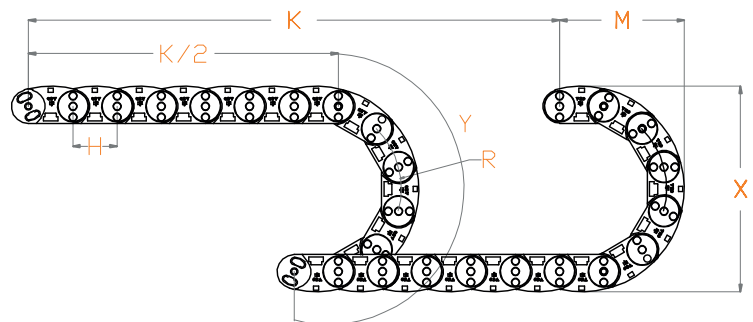
Maximum working speed :5M/S

Radius MUST be given in your orders. Example

SD5 100 R150



R mm	H mm	X mm	M mm	Y mm
100	83	270	218	480
150	83	370	268	637
200	83	470	318	794
250	83	570	368	951
300	83	670	418	1108

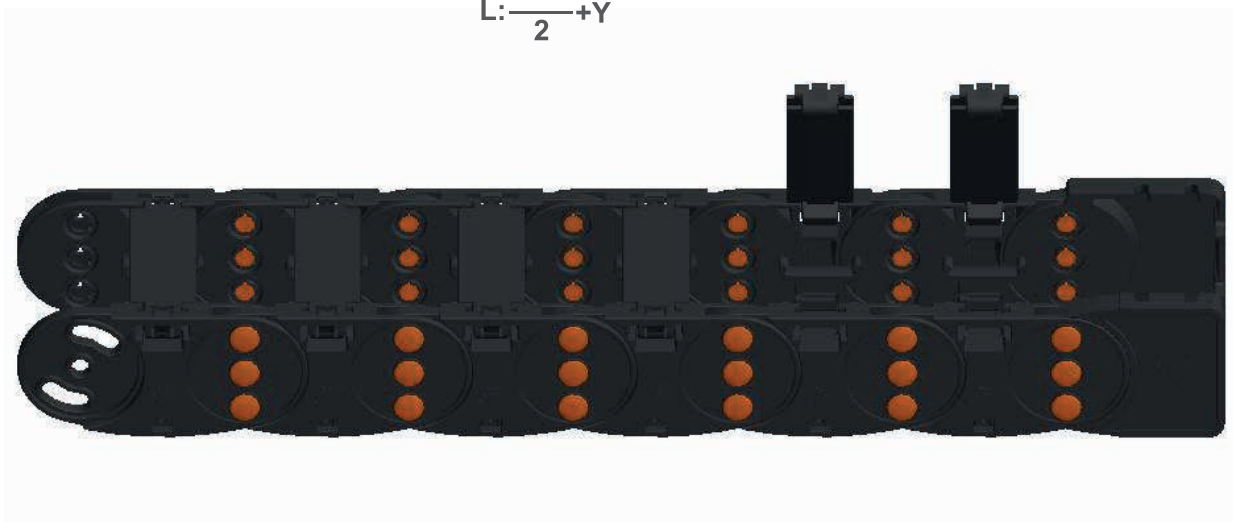


L: Total length to be used

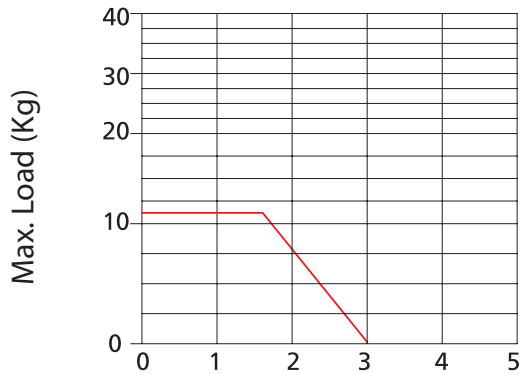
K: Movement distance

Y: Radius

$$L: \frac{K}{2} + Y$$



IMPORTANT POINTS

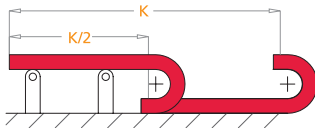


$$\frac{K}{2} \text{ Max. Length without support}$$

Self-supporting Capacity Diagram

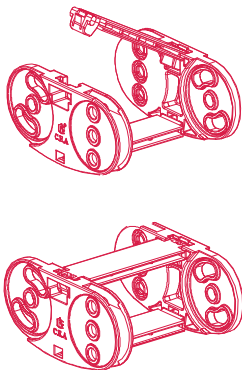
Self-supporting capacity of the cable carrier according to weight of the cables and hoses

$$\frac{K}{2}$$



How to use support rollers:

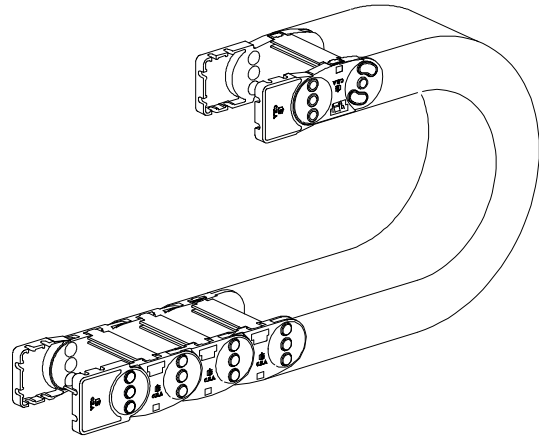
- Support rollers should be used after 4 meters
- Make sure that the cap (cover) is fixed properly
- Use an appropriate hand tool (screw driver) to open the cap
- Be careful not to damage the fixing nail of the cap (cover)
- Be sure that side stoppers, used to fix end brackets are fixed properly



How to choose end bracket

End bracket

End brackets are the parts to be used to fix the cable carrier to the machine or equipment



Should be attached to the both ends of the cable carrier

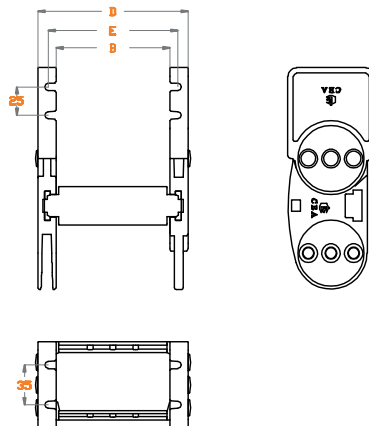
CABLE CARRIER CODE

END BRACKET CODE

A

B

CABLE CARRIER CODE	END BRACKET CODE	A	B
SD5 050 R01	SD5 B050	64	82
SD5 100 R01	SD5 B100	114	132
SD5 150 R01	SD5 B150	164	182
SD5 200 R01	SD5 B200	214	232



SD9

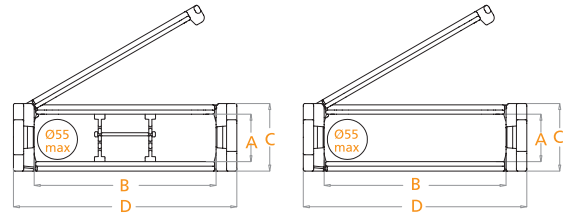
CABLE CARRIERS HEAVY SERIES

Inner Height (A) 60mm	Code	Radius	(A)mm	(B)mm	(C)mm	(D)mm	Weight Kg/Mt
<ul style="list-style-type: none"> • Both up and down sides are openable • Suitable for long distances • No complete covers (caps)(on both sides) • Should be used in supporting tray • Suitable to use vertical separators 	SD9 080 R_01	150-170-200-220-285-350	60	80	80	120	2.220 Kg
	SD9 100 R_01	150-170-200-220-285-350	60	100	80	140	2.300 Kg
	SD9 120 R_01	150-170-200-220-285-350	60	120	80	160	3.400 Kg
	SD9 140 R_01	150-170-200-220-285-350	60	140	80	180	3.500 Kg
	SD9 175 R_01	150-170-200-220-285-350	60	175	80	215	3.660 Kg
	SD9 200 R_01	150-170-200-220-285-350	60	200	80	240	3.780 Kg

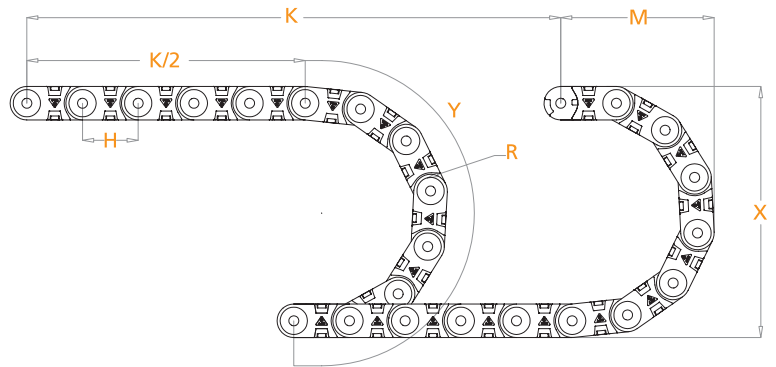
Maximum working speed :5M/S

Radius MUST be given in your orders. Example:

SD9 100 R170



R mm	H mm	X mm	M mm	Y mm
150	100	380	290	630
170	100	420	310	730
200	100	480	360	820
220	100	520	390	891
285	100	650	425	1095
350	100	780	490	1299

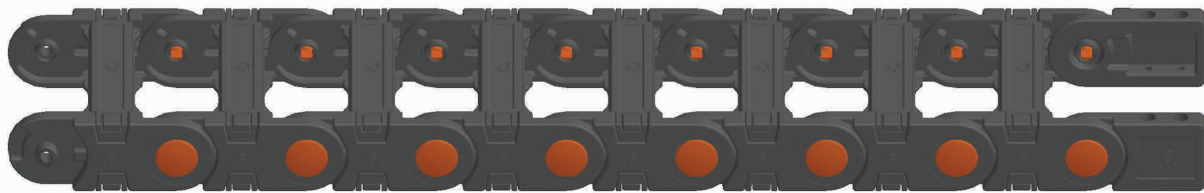


L: Total length to be used

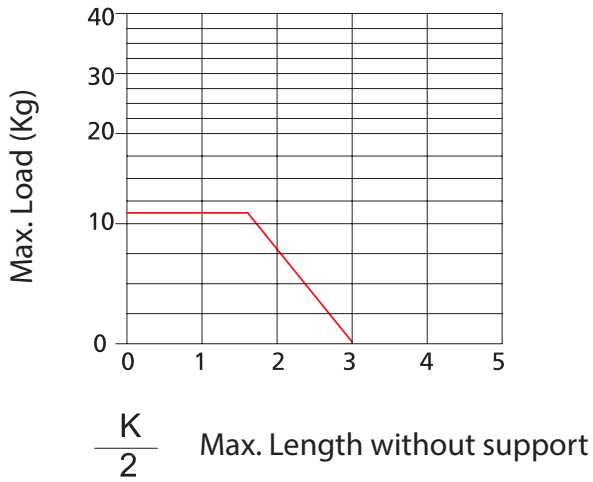
K: Movement distance

Y: Radius

$$L: \frac{K}{2} + Y$$



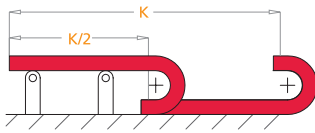
IMPORTANT POINTS



Self-supporting Capacity Diagram

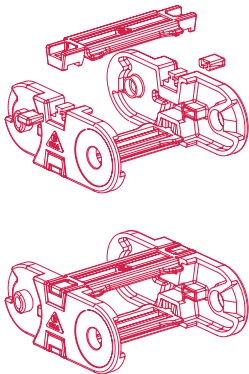
Self-supporting capacity of the cable carrier according to weight of the cables and hoses

$$\frac{K}{2}$$



How to use support rollers:

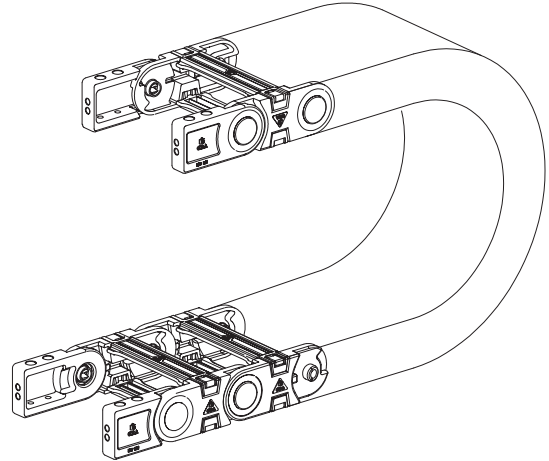
- Support rollers should be used after 4 meters
- Make sure that the cap (cover) is fixed properly
- Use an appropriate hand tool (screw driver) to open the cap
- Be careful not to damage the fixing nail of the cap (cover)
- Be sure that side stoppers, used to fix end brackets are fixed properly



How to choose end bracket

End bracket

End brackets are the parts to be used to fix the cable carrier to the machine or equipment



Should be attached to the both ends of the cable carrier

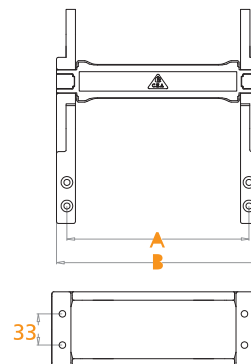
CABLE CARRIER CODE

END BRACKET CODE

A

B

CABLE CARRIER CODE	END BRACKET CODE	A	B
SD9 080 R01	SD9 B01	100	120
SD9 100 R01	SD9 B01	120	140
SD9 120 R01	SD9 B01	140	160
SD9 140 R01	SD9 B01	160	180
SD9 175 R01	SD9 B01	195	215
SD9 200 R01	SD9 B01	220	240



SD9K

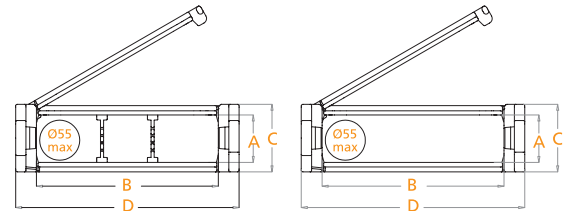
CABLE CARRIERS HEAVY SERIES

Inner Height (A) 60mm	Code	Radius	(A)mm	(B)mm	(C)mm	(D)mm	Weight Kg/Mt
<ul style="list-style-type: none"> • Both up and down sides are openable • Suitable for long distances • Both up and down sides have complete covers (caps) • Should be used in supporting tray 	SD9K 100 R_01	150-170-200-220-285-350	60	100	80	140	2.600 Kg
	SD9K 140 R_01	150-170-200-220-285-350	60	140	80	180	3.000 Kg
	SD9K 200 R_01	150-170-200-220-285-350	60	200	80	240	3.600 Kg

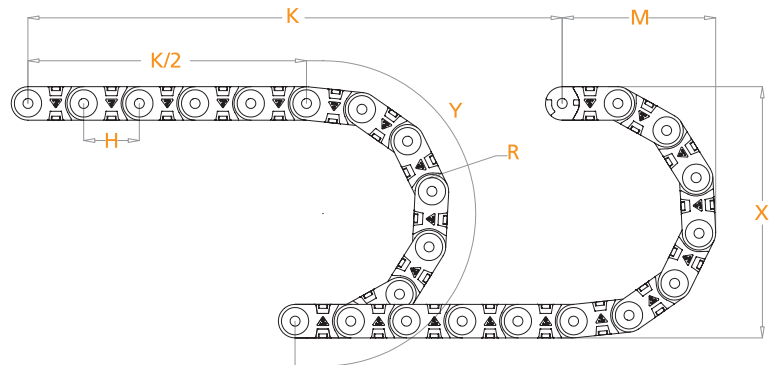
Maximum working speed hızı :5M/S

Radius MUST be given in your orders. Example:

SD9K 100 R170



R mm	H mm	X mm	M mm	Y mm
150	100	380	290	630
170	100	420	310	730
200	100	480	360	820
220	100	520	390	891
285	100	650	425	1095
350	100	780	490	1299



L: Total length to be used

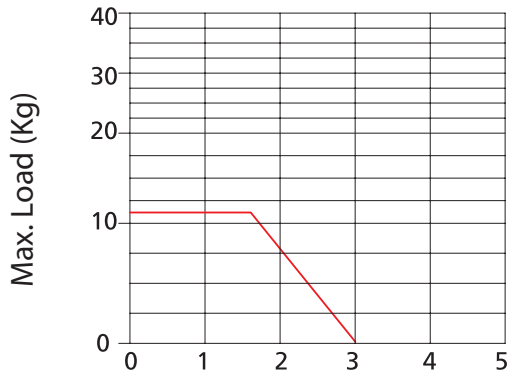
K: Movement distance

Y: Radius

$$L: \frac{K}{2} + Y$$



IMPORTANT POINTS

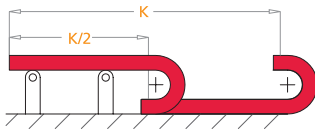


$$\frac{K}{2} \text{ Max. Length without support}$$

Self-supporting Capacity Diagram

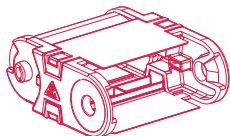
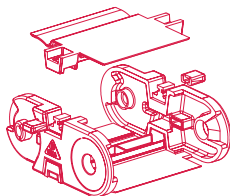
Self-supporting capacity of the cable carrier according to weight of the cables and hoses

$$\frac{K}{2}$$



How to use support rollers:

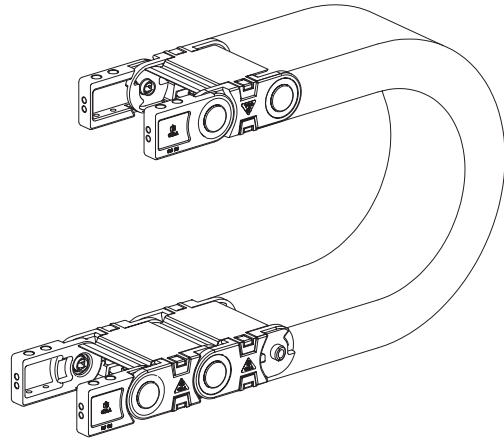
- Support rollers should be used after 4 meters
- Make sure that the cap (cover) is fixed properly
- Use an appropriate hand tool (screw driver) to open the cap
- Be careful not to damage the fixing nail of the cap (cover)
- Be sure that side stoppers, used to fix end brackets are fixed properly



How to choose end bracket

End bracket

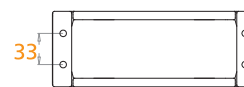
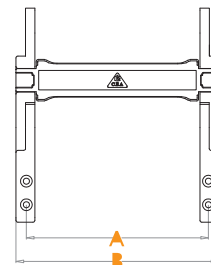
End brackets are the parts to be used to fix the cable carrier to the machine or equipment



Should be attached to the both ends of the cable carrier

CABLE CARRIER CODE	END BRACKET CODE	A	B
--------------------	------------------	---	---

SD9K 100 R01	SD9 B01	120	140
SD9K 140 R01	SD9 B01	160	180
SD9K 200 R01	SD9 B01	220	240



SE9

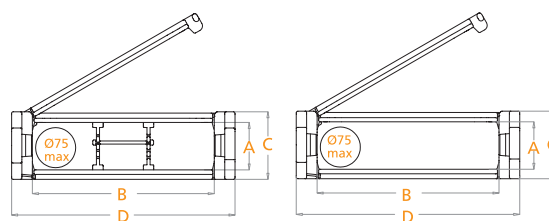
CABLE CARRIERS HEAVY SERIES

Inner Height (A) 80mm	Code	Radius	(A)mm	(B)mm	(C)mm	(D)mm	Weight Kg/Mt
<ul style="list-style-type: none"> • Both up and down sides are openable • Suitable for long distances • No complete covers (caps) (on both sides) • Should be used in supporting tray 	SE9 080 R_01	200-250-300-350	80	80	100	120	3.360 Kg
	SE9 100 R_01	200-250-300-350	80	100	100	140	3.440 Kg
	SE9 120 R_01	200-250-300-350	80	120	100	160	3.540 Kg
	SE9 140 R_01	200-250-300-350	80	140	100	180	3.640 Kg
	SE9 175 R_01	200-250-300-350	80	175	100	215	3.800 Kg
	SE9 200 R_01	200-250-300-350	80	200	100	240	3.920 Kg

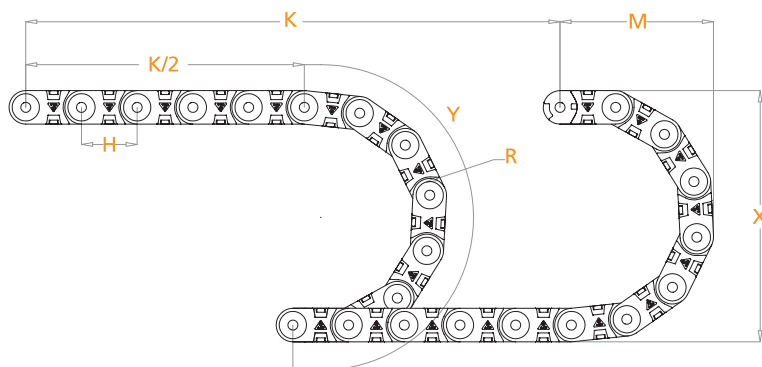
Maximum working speed :5M/S

Radius MUST be given in your orders. Example:

SE9 100 R 200



R mm	H mm	X mm	M mm	Y mm
200	100	500	350	828
250	100	600	400	985
300	100	700	450	1142
350	100	800	500	1299

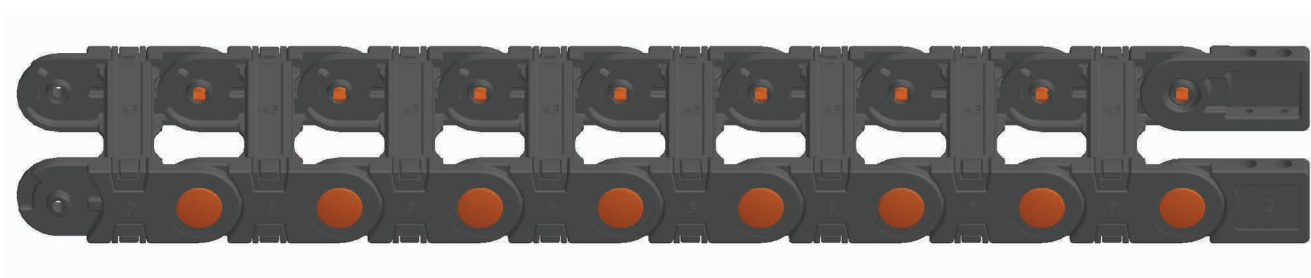


L: Total length to be used

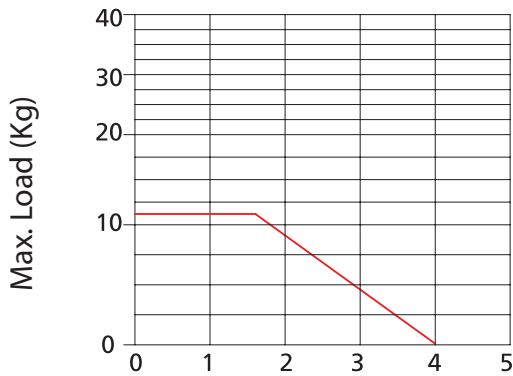
K: Movement distance

Y: Radius

$$L: \frac{K}{2} + Y$$



IMPORTANT POINTS

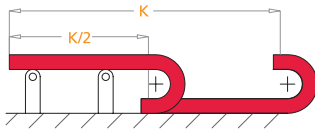


$$\frac{K}{2} \text{ Max. Length without support}$$

Self-supporting Capacity Diagram

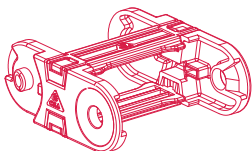
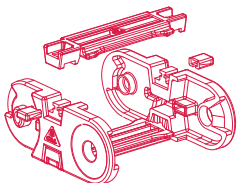
Self-supporting capacity of the cable carrier according to weight of the cables and hoses

$$\frac{K}{2}$$



How to use support rollers:

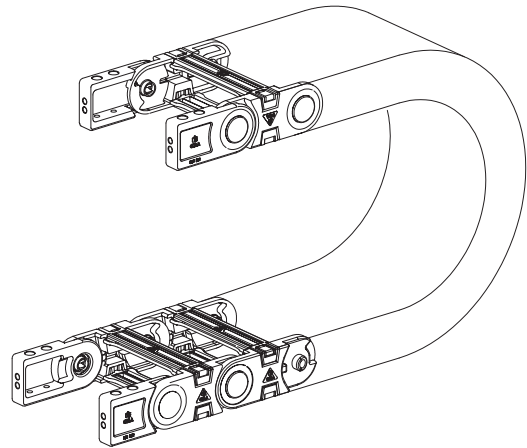
- Support rollers should be used after 4 meters
- Make sure that the cap (cover) is fixed properly
- Use an appropriate hand tool (screw driver) to open the cap
- Be careful not to damage the fixing nail of the cap (cover)
- Be sure that side stoppers, used to fix end brackets are fixed properly



How to choose end bracket

End bracket

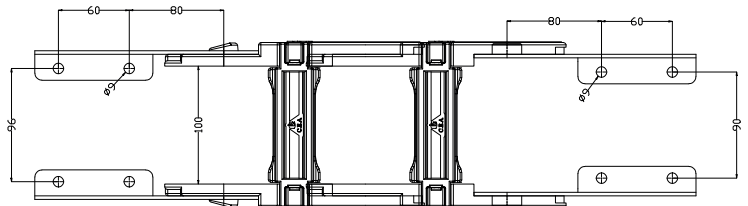
End brackets are the parts to be used to fix the cable carrier to the machine or equipment



Should be attached to the both ends of the cable carrier

CABLE CARRIER CODE	END BRACKET CODE	A	B
--------------------	------------------	---	---

SE9 080 R01	SE9 B01	100	120
SE9 100 R01	SE9 B01	120	140
SE9 120 R01	SE9 B01	140	160
SE9 140 R01	SE9 B01	160	180
SE9 175 R01	SE9 B01	195	215
SE9 200 R01	SE9 B01	220	240



SD0 AL

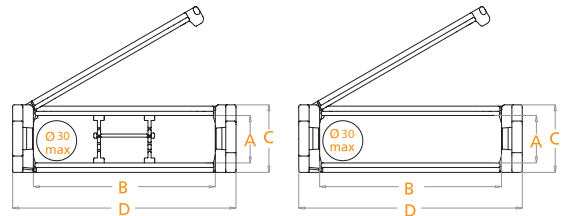
HEAVY SERIES WITH ALUMINUM BAR

Inner Height (A) 32mm	Code	Radius	(A)mm	(B)mm	(C)mm	(D)mm	Weight Kg/Mt
<ul style="list-style-type: none"> • Both up and down sides have openable aluminum bars • Suitable for long distances • No complete covers (caps) (on both sides) • Should be used in supporting tray • Suitable to use with vertical separators 	SD0 AL 250 R_01	125-150-170-200-220-285-350	32	250	60	290	3.360 Kg
	SD0 AL 300 R_01	125-150-170-200-220-285-350	32	300	60	340	3.440 Kg
	SD0 AL 400 R_01	125-150-170-200-220-285-350	32	400	60	440	3.540 Kg
	SD0 AL 500 R_01	125-150-170-200-220-285-350	32	500	60	540	3.640 Kg
	SD0 AL 600 R_01	125-150-170-200-220-285-350	32	600	60	640	3.800 Kg
	SD0 AL 700 R_01	125-150-170-200-220-285-350	32	700	60	740	3.920 Kg

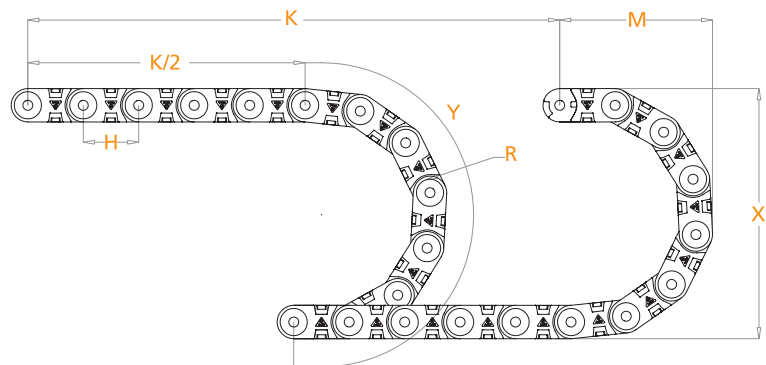
Maximum working speed :5M/S

Radius MUST be given in your orders. Example:

SD0 AL 250 R150



R mm	H mm	X mm	M mm	Y mm
125	100	320	270	590
150	100	360	290	630
170	100	400	310	730
200	100	460	360	820
220	100	500	390	891
285	100	630	425	1095
350	100	760	490	1299

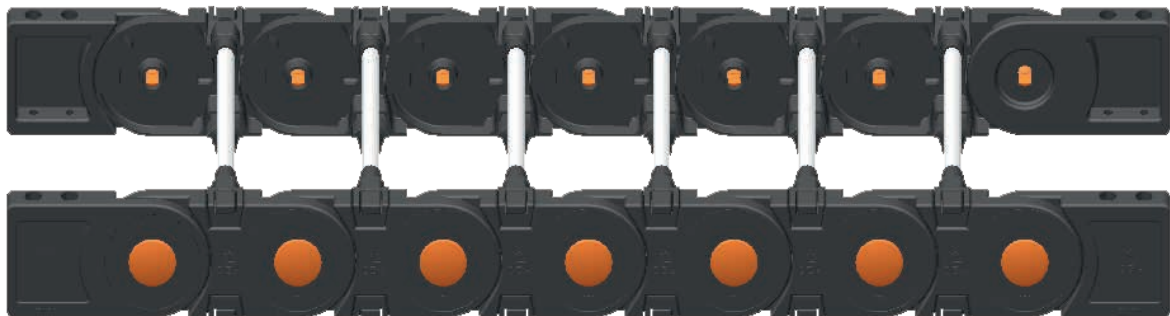


L: Total length to be used

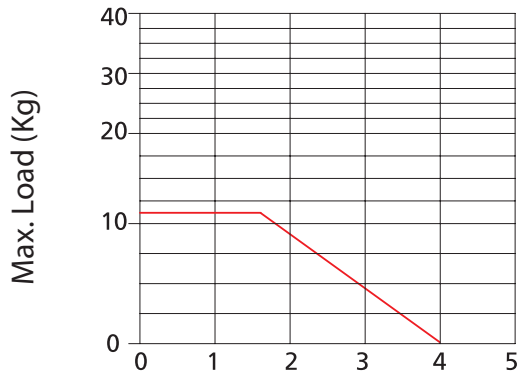
K: Movement distance

Y: Radius

$$L: \frac{K}{2} + Y$$



IMPORTANT POINTS

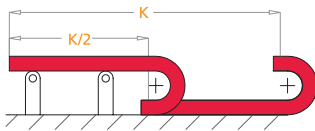


$$\frac{K}{2} \text{ Max. Length without support}$$

Self-supporting Capacity Diagram

Self-supporting capacity of the cable carrier according to weight of the cables and hoses

$$\frac{K}{2}$$



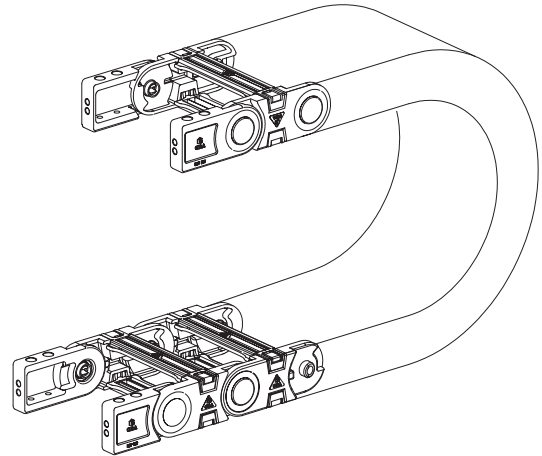
How to use support rollers:

- Support rollers should be used after 4 meters
- Make sure that the cap (cover) is fixed properly
- Use an appropriate hand tool (screw driver) to open the cap
- Be careful not to damage the fixing nail of the cap (cover)
- Be sure that side stoppers, used to fix end brackets are fixed properly

How to choose end bracket!

End bracket

End brackets are the parts to be used to fix the cable carrier to the machine or equipment



Should be attached to the both ends of the cable carrier.

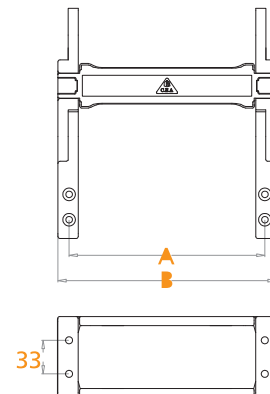
CABLE CARRIER CODE

END BRACKET CODE

A

B

CABLE CARRIER CODE	END BRACKET CODE	A	B
SD0 AL 250 R01	SD0 B01	X	X



SD9 AL

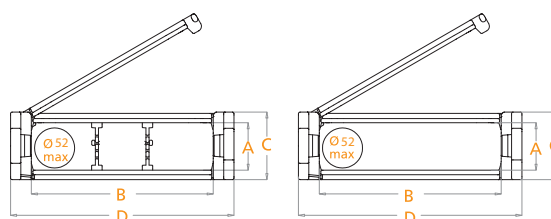
HEAVY SERIES WITH ALUMINUM BAR

Inner Height (A) 52mm	Code	Radius	(A)mm	(B)mm	(C)mm	(D)mm	Weight Kg/Mt
<ul style="list-style-type: none"> • Both up and down sides have openable aluminum bars • Suitable for long distances • No complete covers (caps) (on both sides) • Should be used in supporting tray • Suitable to use with vertical separators 	SD9 AL 250 R_01	150-170-200-220-285-350	52	250	80	290	2.688 Kg
	SD9 AL 300 R_01	150-170-200-220-285-350	52	300	80	340	2.934 Kg
	SD9 AL 400 R_01	150-170-200-220-285-350	52	400	80	440	3.245 Kg
	SD9 AL 500 R_01	150-170-200-220-285-350	52	500	80	540	3.617 Kg
	SD9 AL 600 R_01	150-170-200-220-285-350	52	600	80	640	3.717 Kg
	SD9 AL 700 R_01	150-170-200-220-285-350	52	700	80	740	3.817 Kg

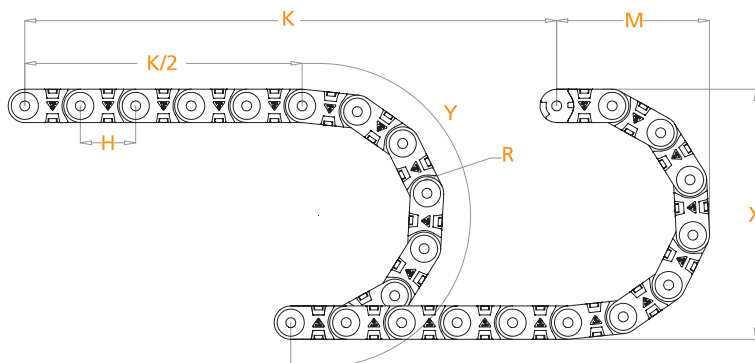
Maximum working speed :5M/S

Radius MUST be given in your orders.Example:

SD9 AL 500 R 150



R mm	H mm	X mm	M mm	Y mm
150	100	380	290	630
170	100	420	310	730
200	100	480	360	820
220	100	520	390	891
285	100	650	425	1095

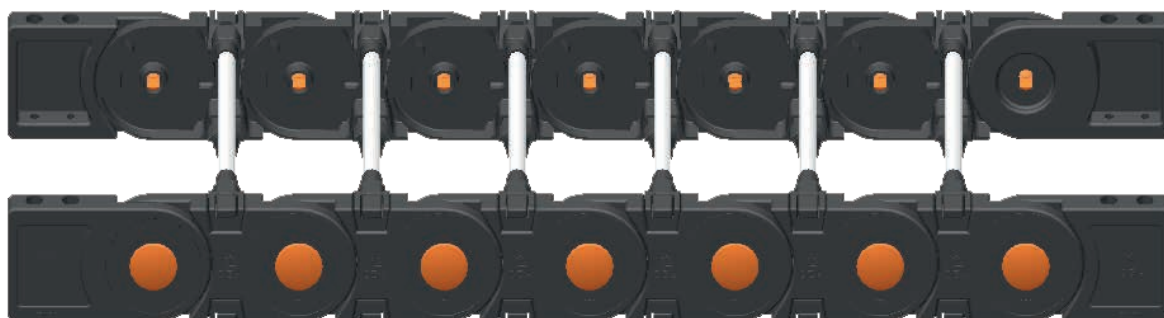


L: Total length to be used

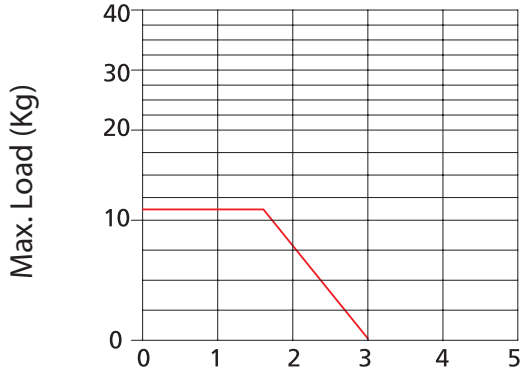
K: Movement distance

Y: Radius

$$L: \frac{K}{2} + Y$$



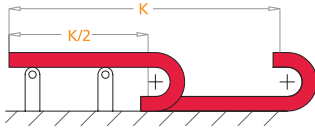
IMPORTANT POINTS



$$\frac{K}{2} \text{ Max. Length without support}$$

Self-supporting Capacity Diagram

Self-supporting capacity of the cable carrier according to weight of the cables and hoses $\frac{K}{2}$



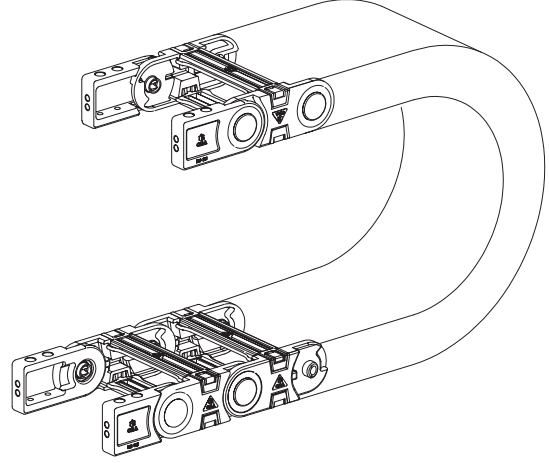
How to use support rollers:

- Support rollers should be used after 4 meters
- Make sure that the cap (cover) is fixed properly
- Use an appropriate hand tool (screw driver) to open the cap
- Be careful not to damage the fixing nail of the cap (cover)
- Be sure that side stoppers, used to fix end brackets are fixed properly

AYAK SETİNİN SEÇİLMESİ VE KULLANIMI

End bracket

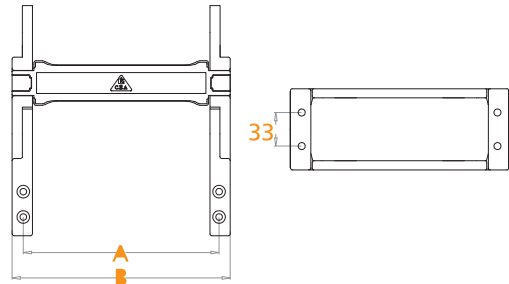
End brackets are the parts to be used to fix the cable carrier to the machine or equipment



Should be attached to the both ends of the cable carrier.

CABLE CARRIER CODE	END BRACKET CODE	A	B
--------------------	------------------	---	---

CABLE CARRIER CODE	END BRACKET CODE	A	B
SD9 AL 250 R01	SD9 B01	X	X



SE9 AL

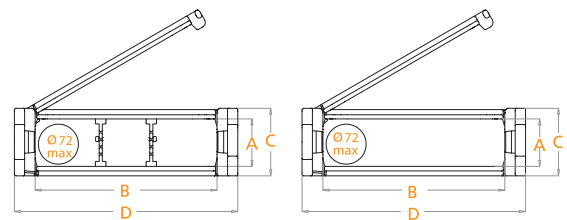
HEAVY SERIES WITH ALUMINUM BAR

Inner Height (A) 72mm	Code	Radius	(A)mm	(B)mm	(C)mm	(D)mm	Weight Kg/Mt
<ul style="list-style-type: none"> • Both up and down sides have openable aluminum bars • Suitable for long distances • No complete covers (caps) (on both sides) • Should be used in supporting tray • Suitable to use with vertical separators 	SE9 AL 250 R_01	200-250-300-350-420	72	250	100	290	3.725 Kg
	SE9 AL 300 R_01	200-250-300-350-420	72	300	100	340	3.964 Kg
	SE9 AL 400 R_01	200-250-300-350-420	72	400	100	440	4.085 Kg
	SE9 AL 500 R_01	200-250-300-350-420	72	500	100	540	4.273 Kg
	SE9 AL 600 R_01	200-250-300-350-420	72	600	100	640	4.573 Kg
	SE9 AL 700 R_01	200-250-300-350-420	72	700	100	740	4.673 Kg

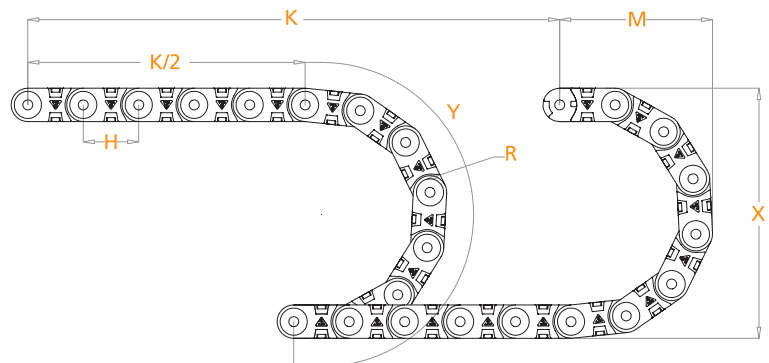
Maximum working speed :5M/S

Radius MUST be given in your orders. Example:

SE9 AL 500 R200



R mm	H mm	X mm	M mm	Y mm
200	100	500	350	828
250	100	600	400	985
300	100	700	450	1142
350	100	800	500	1299
420	100	940	560	1350



L: Total length to be used

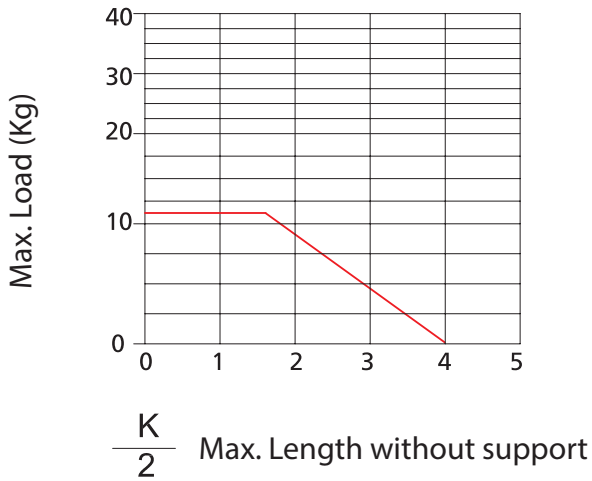
K: Movement distance

Y: Radius

$$L: \frac{K}{2} + Y$$

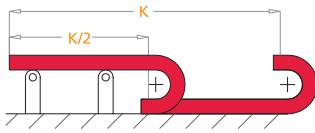


IMPORTANT POINTS



Self-supporting Capacity Diagram

Self-supporting capacity of the cable carrier according to weight of the cables and hoses $\frac{K}{2}$



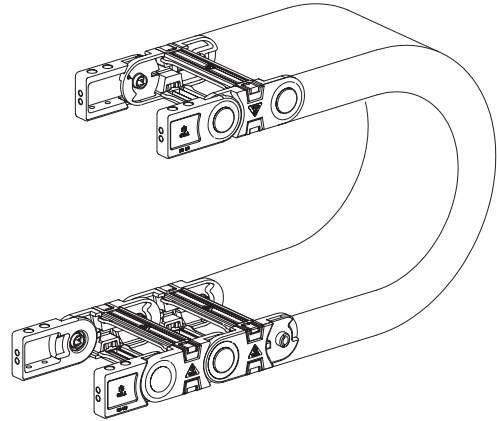
How to use support rollers:

- Support rollers should be used after 4 meters
- Make sure that the cap (cover) is fixed properly
- Use an appropriate hand tool (screw driver) to open the cap
- Be careful not to damage the fixing nail of the cap (cover)
- Be sure that side stoppers, used to fix end brackets are fixed properly

How to choose end bracket

End bracket

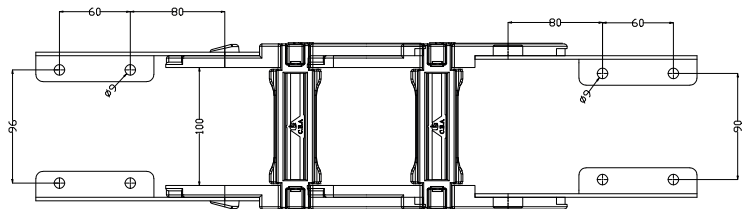
End brackets are the parts to be used to fix the cable carrier to the machine or equipment



Should be attached to the both ends of the cable carrier

CABLE CARRIER CODE **END BRACKET CODE** **A** **B**

CABLE CARRIER CODE	END BRACKET CODE	A	B
SE9 AL 250 R01	SE9 B01	X	X

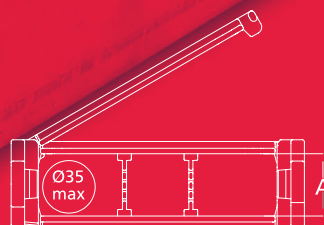






CABLE CARRIERS SLIDING SERIES

CODE	INNER HEIGHT (A)	PAGE NO
SD2S	45 mm	Page : 76-77
SD2SK	45 mm	Page : 78-79
SE1S	65 mm	Page : 80-81
SE1SK	65 mm	Page : 82-83
SF1S	85 mm	Page : 84-85
SF1SK	85 mm	Page : 86-87
SD2SAL	35 mm	Page : 88-89
SE1SAL	55 mm	Page : 90-91
SF1SAL	75 mm	Page : 92-93
SEPARATORS & APPLICATIONS		Page : 94-97



SD2S

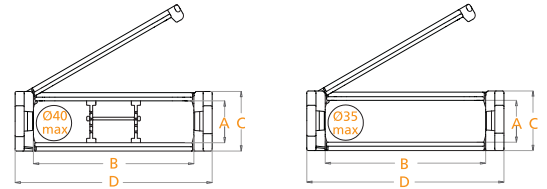
CABLE CARRIERS SLIDING SERIES

Inner Height (A) 45mm	Code	Radius	(A)mm	(B)mm	(C)mm	(D)mm	Weight Kg/Mt
<ul style="list-style-type: none"> • One side is fixed, other (radius) side is openable • Should be used in supporting trays • Suitable for long distances, over 4 meters • No complete cover (on both sides) • Suitable to use vertical separators 	SD2S 080 R_01	150-200-250	45	080	65	120	1.925 Kg
	SD2S 100 R_01	150-200-250	45	100	65	140	2.030 Kg
	SD2S 120 R_01	150-200-250	45	120	65	160	2.160 Kg
	SD2S 140 R_01	150-200-250	45	140	65	180	2.290 Kg
	SD2S 175 R_01	150-200-250	45	175	65	215	2.495 Kg
	SD2S 200 R_01	150-200-250	45	200	65 <td 240	2.650 Kg	

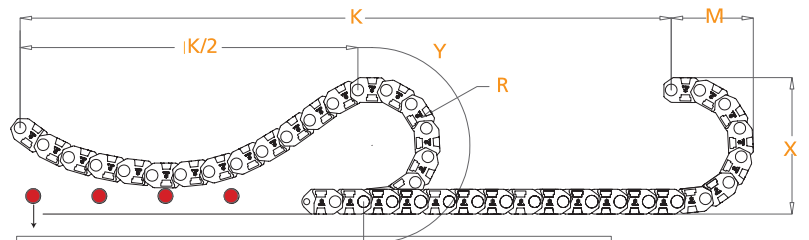
Maximum working speed :5M/S

Radius MUST be given in your orders. Example:

SD2S 080 R_150



R mm	H mm	X mm	M mm	Y mm
150	75	360	257	621
200	75	460	307	778
250	75	560	357	935



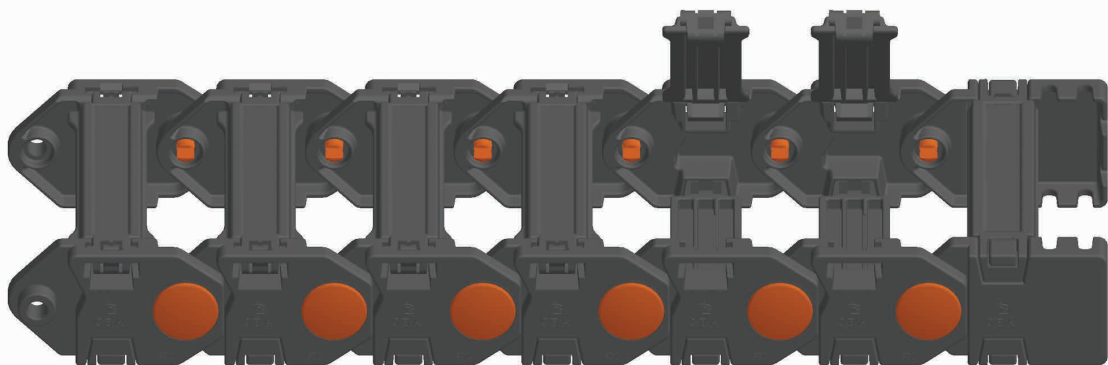
Should be used with supporting tray and rollers.
Code of support roller is ST01

L: Total length to be used

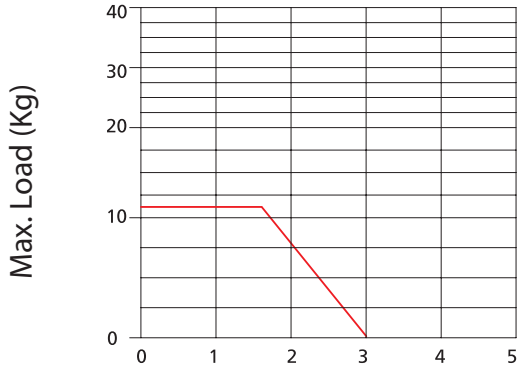
K: Movement distance

Y: Radius

$$L: \frac{K}{2} + Y$$



IMPORTANT POINTS

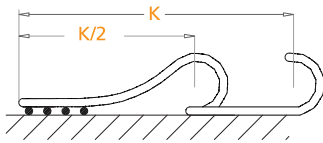


$$\frac{K}{2} \text{ Max. Length without support}$$

Self-supporting Capacity Diagram

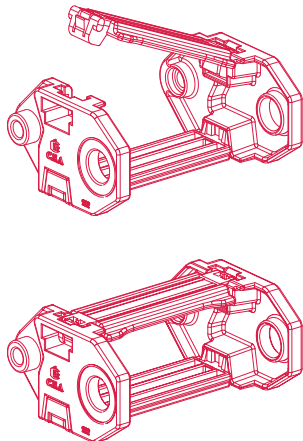
Self-supporting capacity of the cable carrier according to weight of the cables and hoses

$$\frac{K}{2}$$



How to use support rollers:

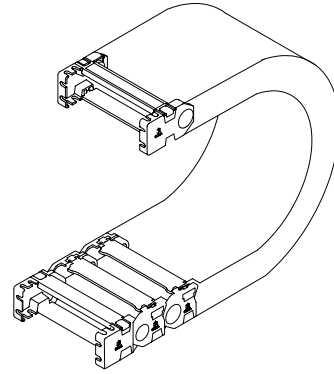
- Make sure that the cap (cover) is fixed properly
- Use an appropriate hand tool (screw driver) to open the cap
- Be careful not to damage the fixing nail of the cap (cover)
- Be sure that side stoppers, used to fix end brackets are fixed properly



How to choose end bracket

End bracket

End brackets are the parts to be used to fix the cable carrier to the machine or equipment



Should be attached to the both ends of the cable carrier

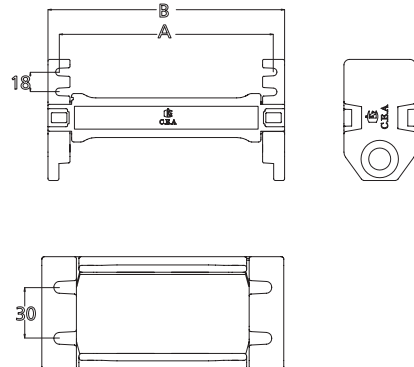
CABLE CARRIER CODE

END BRACKET CODE

A

B

SD2S 080 R01	SD2 B080	100	120
SD2S 100 R01	SD2 B100	120	140
SD2S 120 R01	SD2 B120	140	160
SD2S 140 R01	SD2 B140	160	180
SD2S 175 R01	SD2 B175	195	215
SD2S 200 R01	SD2 B200	220	240



SD2SK

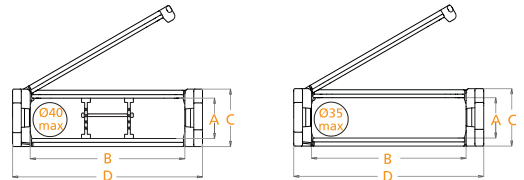
CABLE CARRIERS SLIDING SERIES

Inner Height (A) 45mm	Code	Radius	(A)mm	(B)mm	(C)mm	(D)mm	Weight Kg/Mt
<ul style="list-style-type: none"> • One side is fixed, other (radius) side is openable • Should be used in supporting trays • Suitable for long distances • Both sides have openable covers (caps). 	SD2SK 100 R_01	150-200-250	45	100	65	140	2.230 Kg
	SD2SK 200 R_01	150-200-250	45	200	65	240	3.050 Kg

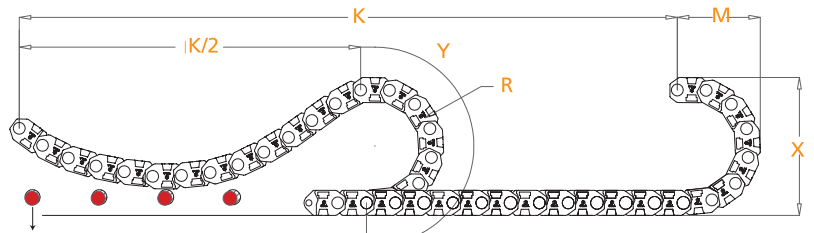
Maximum working speed :5M/S

Radius MUST be given in your orders. Example:

SD2SK 100 R150



R mm	H mm	X mm	M mm	Y mm
150	75	360	257	621
200	75	460	307	778
250	75	560	357	935



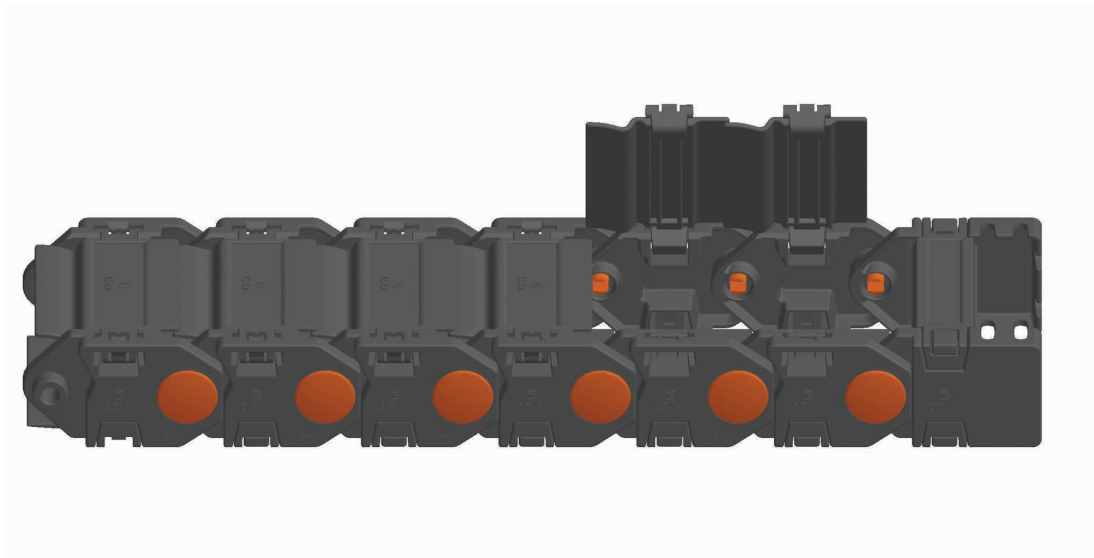
Should be used with supporting tray and rollers.
Code of support roller is ST01

L: Total length to be used

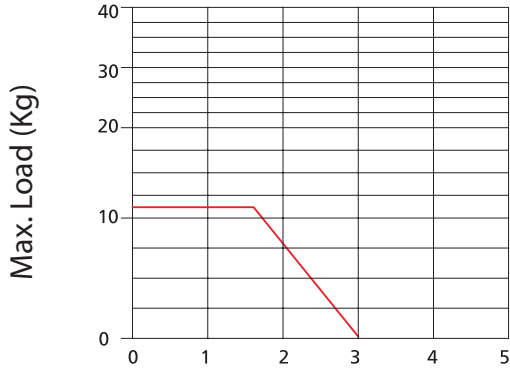
K: Movement distance

Y: Radius

$$L: \frac{K}{2} + Y$$



IMPORTANT POINTS

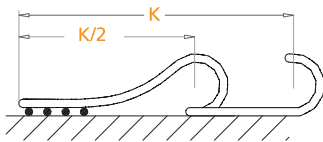


$$\frac{K}{2} \text{ Max. Length without support}$$

Self-supporting Capacity Diagram

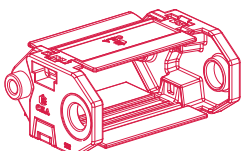
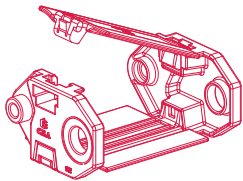
Self-supporting capacity of the cable carrier according to weight of the cables and hoses

$$\frac{K}{2}$$



How to use support rollers:

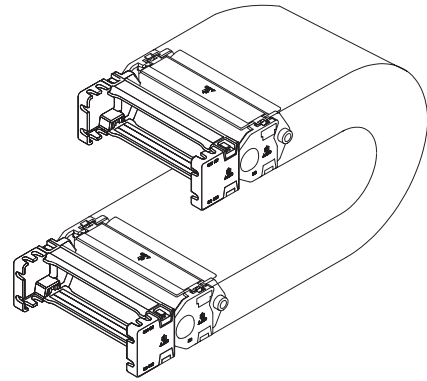
- Make sure that the cap (cover) is fixed properly
- Use an appropriate hand tool (screw driver) to open the cap
- Be careful not to damage the fixing nail of the cap (cover)
- Be sure that side stoppers, used to fix end brackets are fixed properly.



How to choose end bracket

End bracket

End brackets are the parts to be used to fix the cable carrier to the machine or equipment



Should be attached to the both ends of the cable carrier

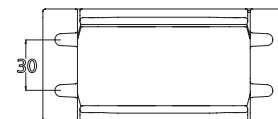
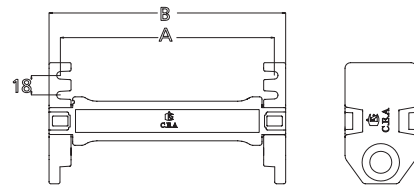
CABLE CARRIER CODE

END BRACKET CODE

A

B

SD2SK 100 R01	SD2 B100	120	140
SD2SK 200 R01	SD2 B200	220	240



SE1S

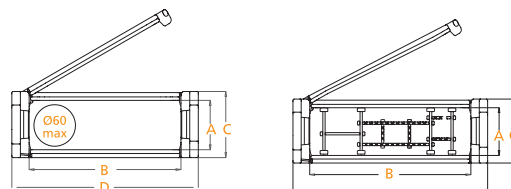
CABLE CARRIERS SLIDING SERIES

Inner Height (A) 65mm	Code	Radius	(A)mm	(B)mm	(C)mm	(D)mm	Weight Kg/Mt
<ul style="list-style-type: none"> • One side is fixed, other (radius) side is openable • Should be used in supporting trays • Suitable for long distances, over 4 meters • No complete cover (on both sides) • Suitable to use with separators 	SE1S 080 R_01	150-200-250	65	80	85	120	2.340 Kg
	SE1S 100 R_01	150-200-250	65	100	85	140	2.445 Kg
	SE1S 120 R_01	150-200-250	65	120	85	160	2.575 Kg
	SE1S 140 R_01	150-200-250	65	140	85	180	2.715 Kg
	SE1S 175 R_01	150-200-250	65	175	85	215	2.915 Kg
	SE1S 200 R_01	150-200-250	65	200	85	240	3.070 Kg

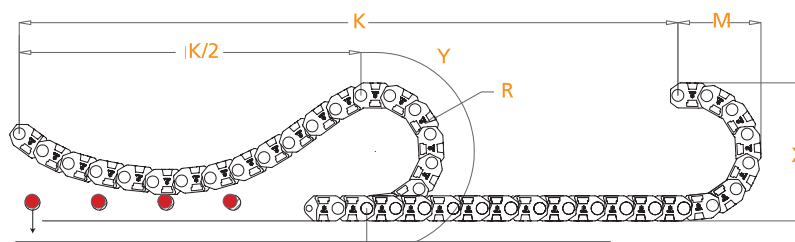
Maximum working speed :5M/S

Radius MUST be given in your orders. Example:

SE1S 100 R150



R mm	H mm	X mm	M mm	Y mm
150	75	380	257	621
200	75	480	307	778
250	75	580	357	935



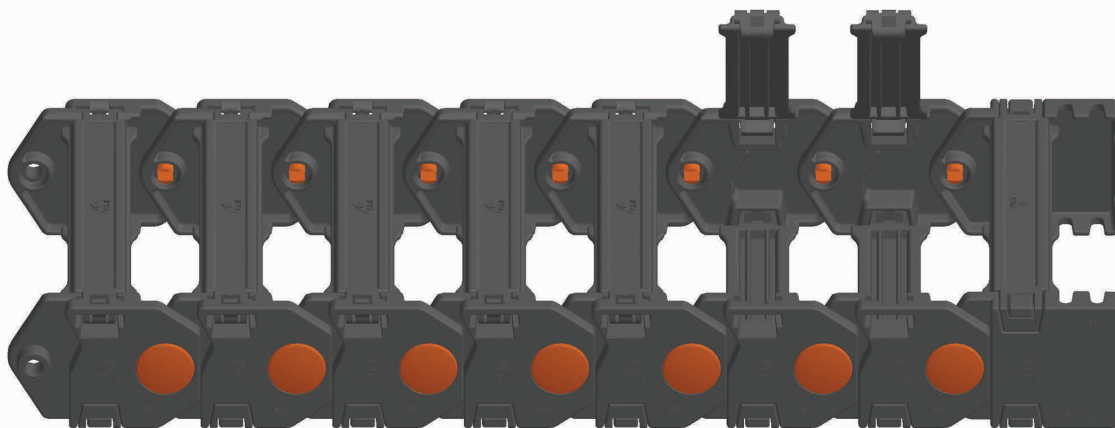
Should be used with supporting tray and rollers.
Code of support roller is ST01

L: Total length to be used

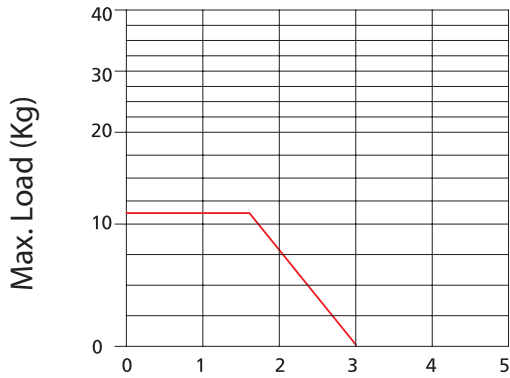
K: Movement distance

Y: Radius

$$L: \frac{K}{2} + Y$$



IMPORTANT POINTS

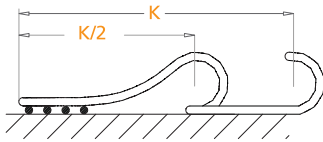


$$\frac{K}{2} \text{ Max. Length without support}$$

Self-supporting Capacity Diagram

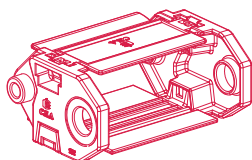
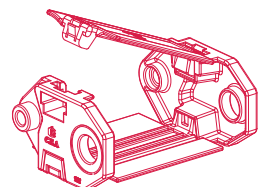
Self-supporting capacity of the cable carrier according to weight of the cables and hoses

$$\frac{K}{2}$$



How to use support rollers:

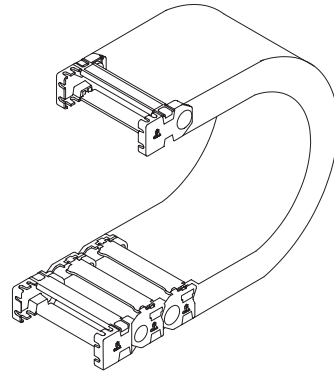
- Make sure that the cap (cover) is fixed properly
- Use an appropriate hand tool (screw driver) to open the cap
- Be careful not to damage the fixing nail of the cap (cover)
- Be sure that side stoppers, used to fix end brackets are fixed properly



How to choose end bracket

End bracket

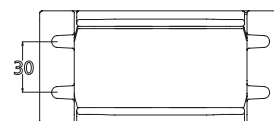
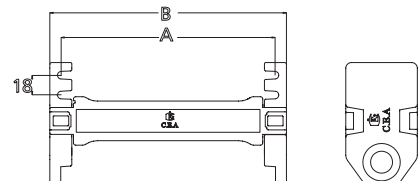
End brackets are the parts to be used to fix the cable carrier to the machine or equipment



Should be attached to the both ends of the cable carrier

CABLE CARRIER CODE **END BRACKET CODE** **A** **B**

SE1S 080 R01	SE1 B080	100	120
SE1S 100 R01	SE1 B100	120	140
SE1S 120 R01	SE1 B120	140	160
SE1S 140 R01	SE1 B140	160	180
SE1S 175 R01	SE1 B175	195	215
SE1S 200 R01	SE1 B200	220	240



SE1SK

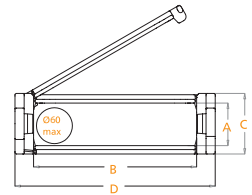
CABLE CARRIERS SLIDING SERIES

Inner Height (A) 65mm	Code	Radius	(A)mm	(B)mm	(C)mm	(D)mm	Weight Kg/Mt
<ul style="list-style-type: none"> • One side is fixed, other (radius) side is openable • Should be used in supporting trays • Suitable for long distances, over 4 meters • Both sides have complete covers (caps) • Suitable to use with separators 	SE1SK 100 R_01	150-200-250	65	100	85	140	2.575 Kg
	SE1SK 200 R_01	150-200-250	65	200	85	240	3.471 Kg

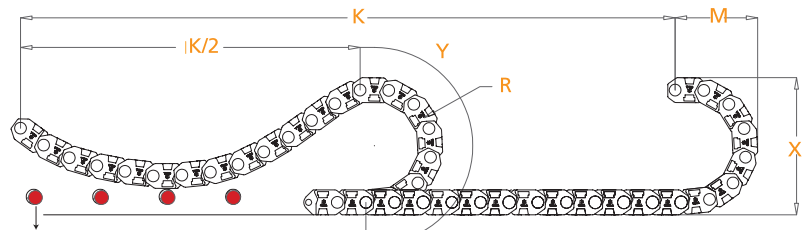
Maximum working speed :5M/S

Radius MUST be given in your orders. Example:

SE1SK 100 R150



mm	H mm	X mm	M mm	Y mm
150	75	380	257	621
200	75	480	307	778
250	75	580	357	935



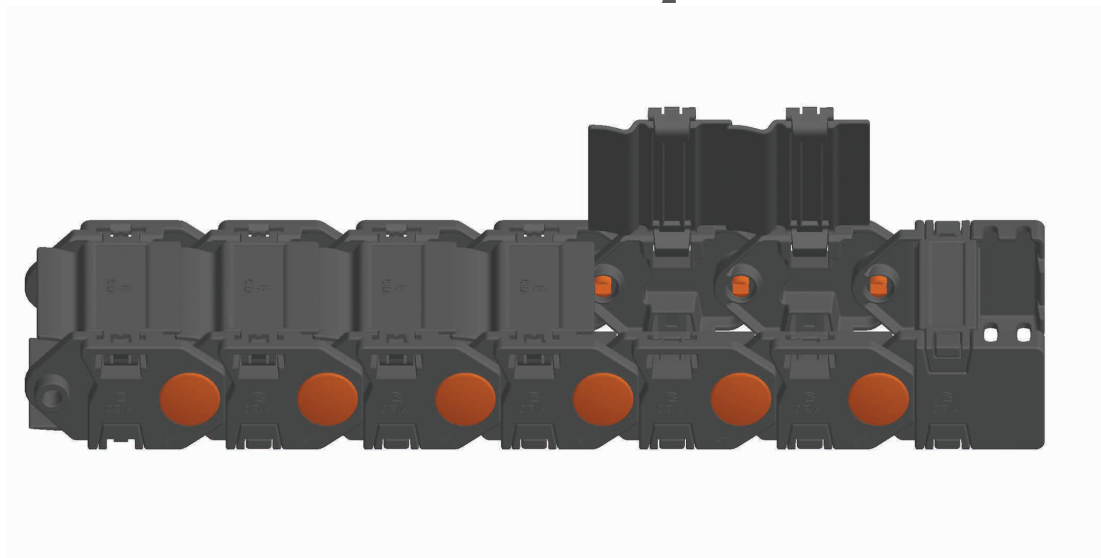
Should be used with supporting tray and rollers.
Code of support roller is ST01

L: Total length to be used

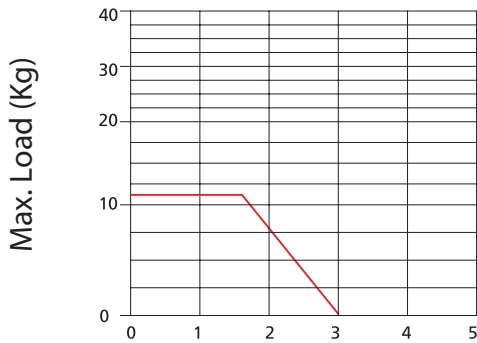
K: Movement distance

Y: Radius

$$L: \frac{K}{2} + Y$$



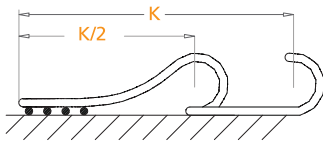
IMPORTANT POINTS



$\frac{K}{2}$ Max. Length without support

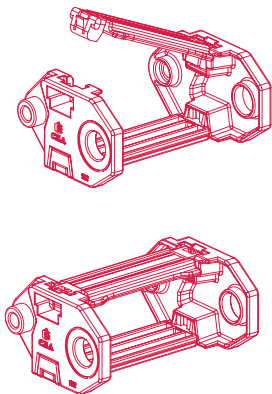
Self-supporting Capacity Diagram

Self-supporting capacity of the cable carrier according to weight of the cables and hoses $\frac{K}{2}$



How to use support rollers:

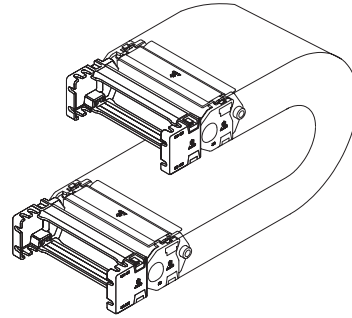
- Make sure that the cap (cover) is fixed properly
- Use an appropriate hand tool (screw driver) to open the cap
- Be careful not to damage the fixing nail of the cap (cover)
- Be sure that side stoppers, used to fix end brackets are fixed properly



How to choose end bracket

End bracket

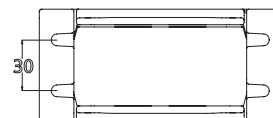
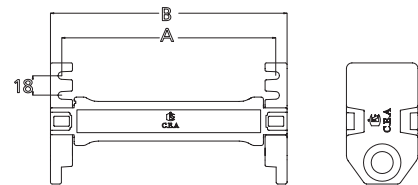
End brackets are the parts to be used to fix the cable carrier to the machine or equipment



Should be attached to the both ends of the cable carrier

CABLE CARRIER CODE **END BRACKET CODE** **A** **B**

CABLE CARRIER CODE	END BRACKET CODE	A	B
SE1S 080 R01	SE1 B080	100	120
SE1S 100 R01	SE1 B100	120	140
SE1S 120 R01	SE1 B120	140	160
SE1S 140 R01	SE1 B140	160	180
SE1S 175 R01	SE1 B175	195	215
SE1S 200 R01	SE1 B200	220	240



SF1S

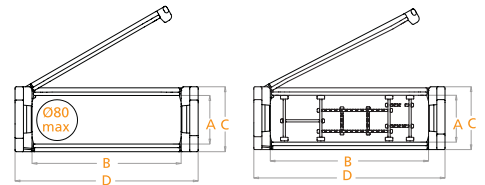
CABLE CARRIERS SLIDING SERIES

Inner Height (A) 85mm	Code	Radius	(A)mm	(B)mm	(C)mm	(D)mm	Weight Kg/Mt
<ul style="list-style-type: none"> • One side is fixed, other (radius) side is openable • Should be used in supporting trays • Suitable for long distances, over 4 meters • No complete cover (on both sides) • Suitable to use with separators. 	SF1S 080 R_01	150-200-250	85	080	105	120	2.625 Kg
	SF1S 100 R_01	150-200-250	85	100	105	140	2.730 Kg
	SF1S 120 R_01	150-200-250	85	120	105	160	2.860 Kg
	SF1S 140 R_01	150-200-250	85	140	105	180	2.990 Kg
	SF1S 175 R_01	150-200-250	85	175	105	215	3.198 Kg
	SF1S 200 R_01	150-200-250	85	200	105	240	3.355 Kg

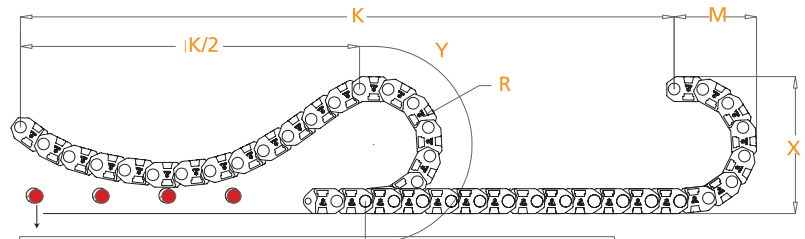
Maximum working speed :5M/S

Radius MUST be given in your orders. Example:

SF1S 100 R_150



mm	H mm	X mm	M mm	Y mm
150	75	400	257	621
200	75	500	307	778
250	75	600	357	935



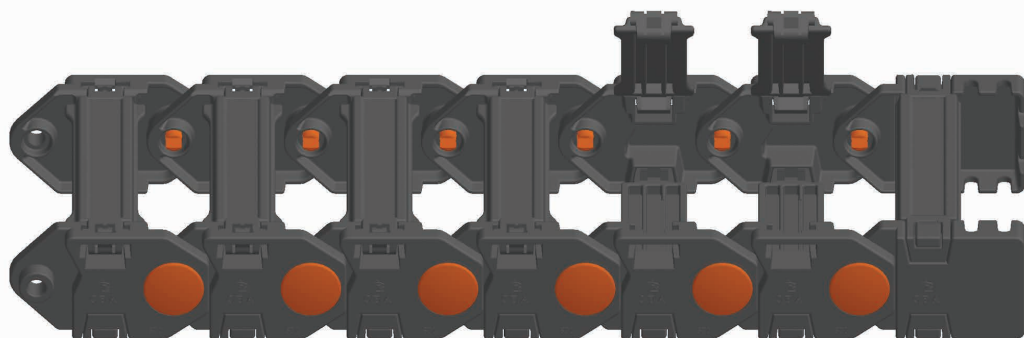
Should be used with supporting tray and rollers.
Code of support roller is ST01

L: Total length to be used

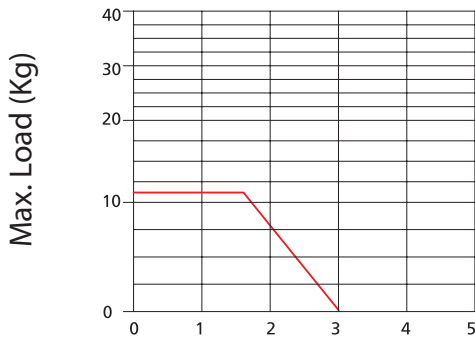
K: Movement distance

Y: Radius

$$L: \frac{K}{2} + Y$$



IMPORTANT POINTS

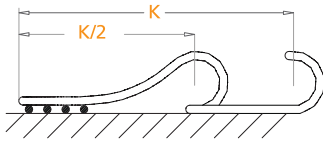


$\frac{K}{2}$ Max. Length without support

Self-supporting Capacity Diagram

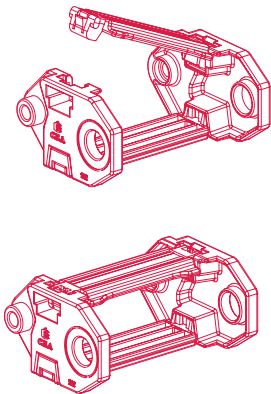
Self-supporting capacity of the cable carrier according to weight of the cables and hoses

$$\frac{K}{2}$$



How to use support rollers:

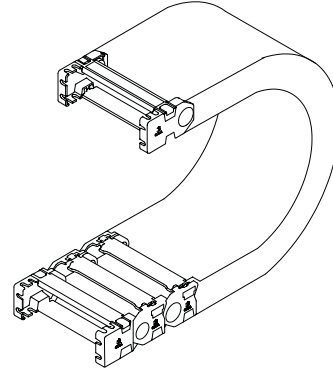
- Make sure that the cap (cover) is fixed properly
- Use an appropriate hand tool (screw driver) to open the cap
- Be careful not to damage the fixing nail of the cap (cover)
- Be sure that side stoppers, used to fix end brackets are fixed properly



How to choose end bracket

End bracket

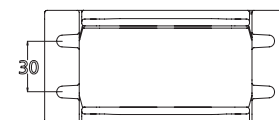
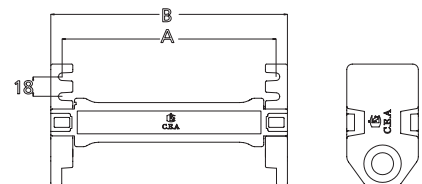
End brackets are the parts to be used to fix the cable carrier to the machine or equipment



Should be attached to the both ends of the cable carrier

CABLE CARRIER CODE	END BRACKET CODE	A	B
--------------------	------------------	---	---

SF1S 080 R01	SF1 B080	100	120
SF1S 100 R01	SF1 B100	120	140
SF1S 120 R01	SF1 B120	140	160
SF1S 140 R01	SF1 B140	160	180
SF1S 175 R01	SF1 B175	195	215
SF1S 200 R01	SF1 B200	220	240



SF1SK

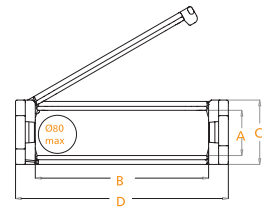
CABLE CARRIERS SLIDING SERIES

Inner Height (A) 85mm	Code	Radius	(A)mm	(B)mm	(C)mm	(D)mm	Weight Kg/Mt
<ul style="list-style-type: none"> • One side is fixed, other (radius) side is openable • Should be used in supporting trays • Suitable for long distances, over 4 meters • Both sides have complete covers (caps) 	SF1SK 100 R_01	150-200-250	85	100	105	120	2.990 Kg
	SF1SK 200 R_01	150-200-250-	85	200	105	240	4.160 Kg

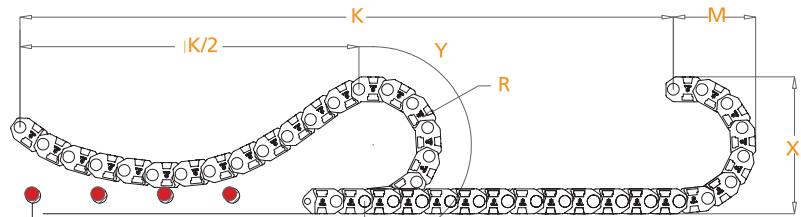
Maximum working speed hızı :5M/S

Radius MUST be given in your orders. Example:

SF1SK 100 R150



R mm	H mm	X mm	M mm	Y mm
150	75	400	257	621
200	75	500	307	778
250	75	600	357	935



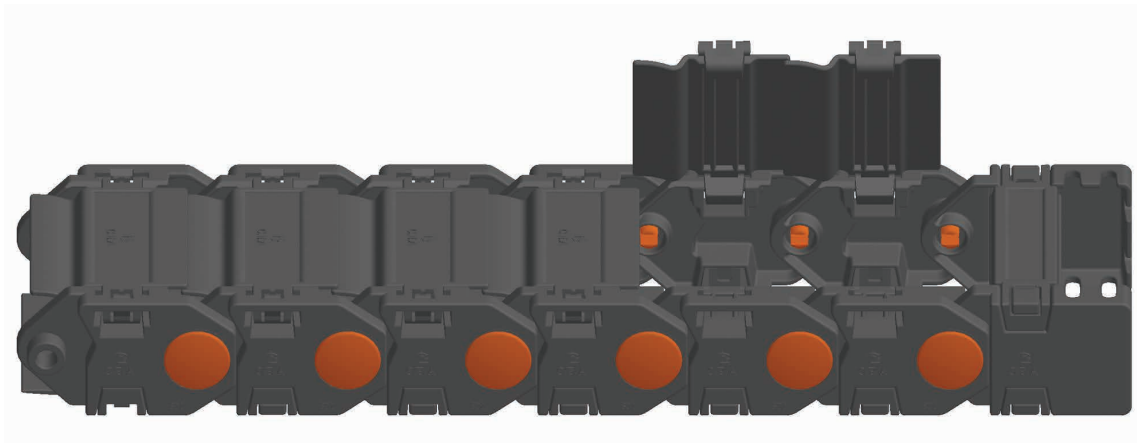
Should be used with supporting tray and rollers.
Code of support roller is ST01

L: Total length to be used

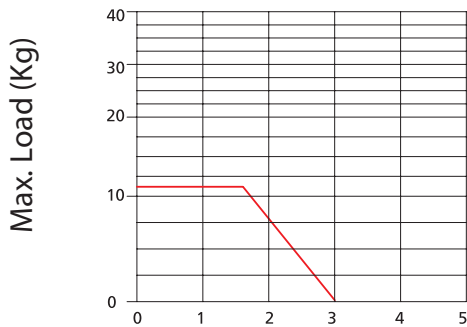
K: Movement distance

Y: Radius

$$L: \frac{K}{2} + Y$$



IMPORTANT POINTS

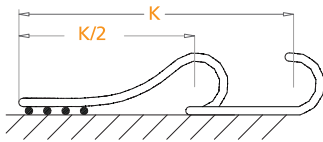


$\frac{K}{2}$ Max. Length without support

Self-supporting Capacity Diagram

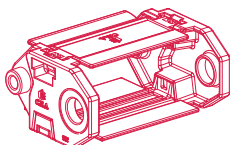
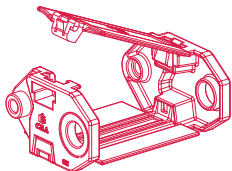
Self-supporting capacity of the cable carrier according to weight of the cables and hoses

$$\frac{K}{2}$$



How to use support rollers:

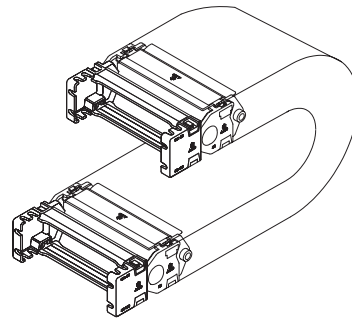
- Make sure that the cap (cover) is fixed properly
- Use an appropriate hand tool (screw driver) to open the cap
- Be careful not to damage the fixing nail of the cap (cover)
- Be sure that side stoppers, used to fix end brackets are fixed properly



How to choose end bracket

End bracket

End brackets are the parts to be used to fix the cable carrier to the machine or equipment



Should be attached to the both ends of the cable carrier

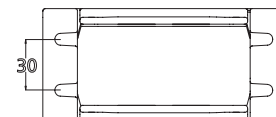
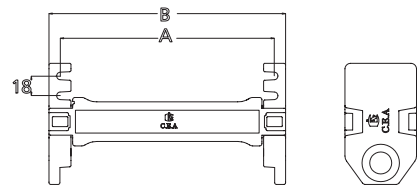
CABLE CARRIER CODE

END BRACKET CODE

A

B

CABLE CARRIER CODE	END BRACKET CODE	A	B
SF1SK 100 R01	SF1 B100	120	140
SF1SK 200 R01	SF1 B200	220	240



SD2SAL

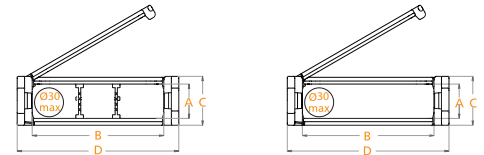
CABLE CARRIERS SLIDING SERIES WITH ALUMINUM BAR

Inner Height (A) 35mm	Code	Radius	(A)mm	(B)mm	(C)mm	(D)mm	Weight Kg/Mt
<ul style="list-style-type: none"> Both up and down sides have openable aluminum bars Suitable for long distances No complete covers (caps)(on both sides) Should be used in supporting tray Suitable to use with separators 	SD2S AL 250 R_01	150-200-250	35	250	65	290	2.325 Kg
	SD2S AL 300 R_01	150-200-250	35	300	65	340	2.630 Kg
	SD2S AL 400 R_01	150-200-250	35	400	65	440	2.960 Kg
	SD2S AL 500 R_01	150-200-250	35	500	65	540	2.390 Kg
	SD2S AL 600 R_01	150-200-250	35	600	65	640	2.490 Kg
	SD2S AL 700 R_01	150-200-250	35	700	65	740	2.490 Kg

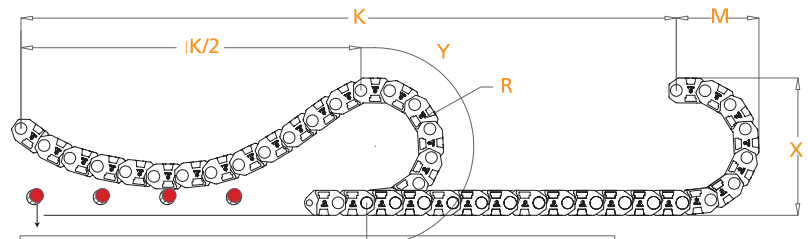
Maximum working speed :5M/S

Radius MUST be given in your orders. Example:

SD2S AL 250 R150



R mm	H mm	X mm	M mm	Y mm
150	75	360	257	621
200	75	460	307	778
250	75	560	357	935



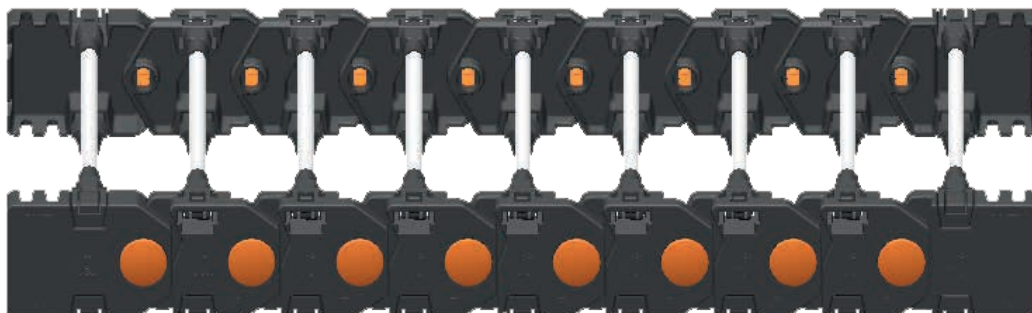
Should be used with supporting tray and rollers.
Code of support roller is ST01

L: Total length to be used

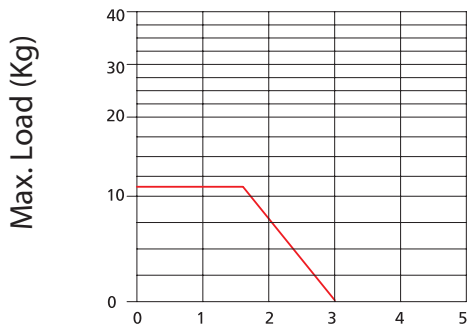
K: Movement distance

Y: Radius

$$L: \frac{K}{2} + Y$$



IMPORTANT POINTS

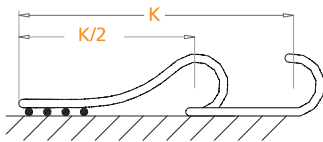


$\frac{K}{2}$ Max. Length without support

Self-supporting Capacity Diagram

Self-supporting capacity of the cable carrier according to weight of the cables and hoses

$$\frac{K}{2}$$



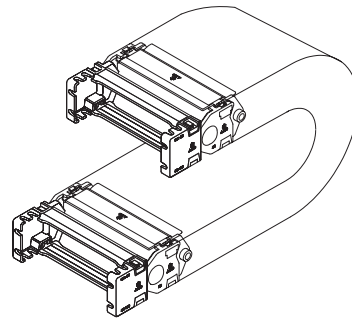
How to use support rollers:

- Make sure that the cap (cover) is fixed properly
- Use an appropriate hand tool (screw driver) to open the cap
- Be careful not to damage the fixing nail of the cap (cover)
- Be sure that side stoppers, used to fix end brackets are fixed properly

How to choose end bracket

End bracket

End brackets are the parts to be used to fix the cable carrier to the machine or equipment



Should be attached to the both ends of the cable carrier

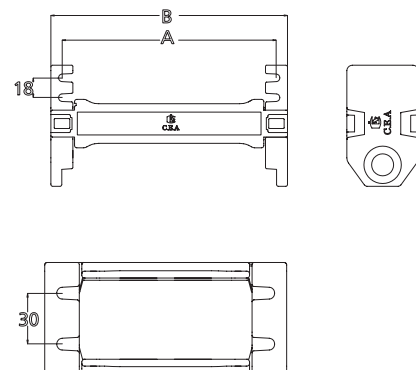
CABLE CARRIER CODE

END BRACKET CODE

A

B

CABLE CARRIER CODE	END BRACKET CODE	A	B
SD2S AL 250	SD2S AL B250	270	290
SD2S AL 300	SD2S AL B300	320	340
SD2S AL 400	SD2S AL B400	420	440
SD2S AL 500	SD2S AL B500	520	540



SE1S AL

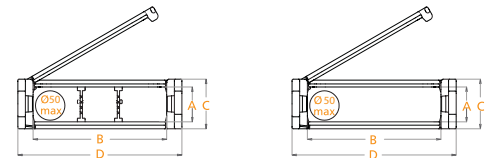
CABLE CARRIERS SLIDING SERIES WITH ALUMINUM BAR

Inner Height (A) 55mm	Code	Radius	(A)mm	(B)mm	(C)mm	(D)mm	Weight Kg/Mt
<ul style="list-style-type: none"> • Both up and down sides have openable aluminum bars • Suitable for long distances • No complete covers (caps) (on both sides) • Should be used in supporting tray • Suitable to use with separators 	SE1S AL 250 R_01	150-200-250	55	250	85	290	2.325 Kg
	SE1S AL 300 R_01	150-200-250	55	300	85	340	2.630 Kg
	SE1S AL 400 R_01	150-200-250	55	400	85	440	2.960 Kg
	SE1S AL 500 R_01	150-200-250	55	500	85	540	2.390 Kg
	SE1S AL 600 R_01	150-200-250	55	600	85	640	2.490 Kg
	SE1S AL 700 R_01	150-200-250	55	700	85	740	2.590 Kg

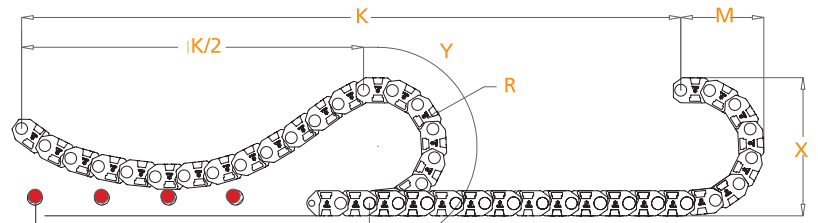
Maximum working speed :5M/S

Radius MUST be given in your orders. Example:

SE1S AL 250 R150



R mm	H mm	X mm	M mm	Y mm
150	75	380	257	621
200	75	480	307	778
250	75	580	357	935



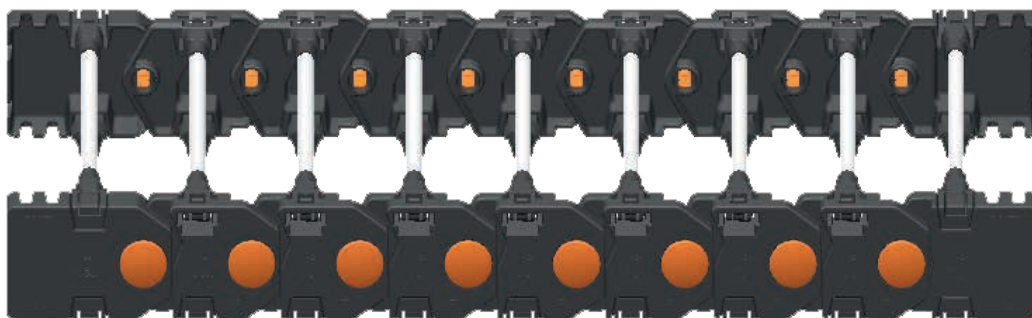
Sh should be used with supporting tray and rollers.
Code of support roller is ST01

L: Total length to be used

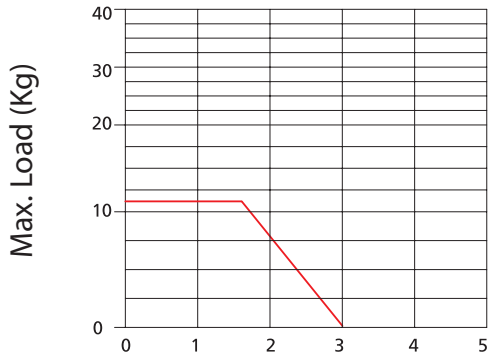
K: Movement distance

Y: Radius

$$L: \frac{K}{2} + Y$$



IMPORTANT POINTS

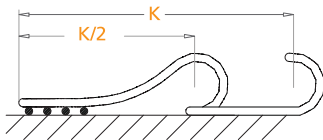


$$\frac{K}{2} \text{ Max. Length without support}$$

Self-supporting Capacity Diagram

Self-supporting capacity of the cable carrier according to weight of the cables and hoses

$$\frac{K}{2}$$



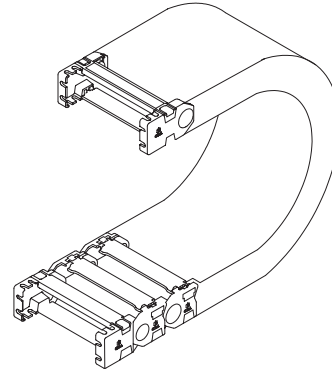
-How to use support rollers:

- Make sure that the cap (cover) is fixed properly
- Use an appropriate hand tool (screw driver) to open the cap
- Be careful not to damage the fixing nail of the cap (cover)
- Be sure that side stoppers, used to fix end brackets are fixed properly

How to choose end bracket

End bracket

End brackets are the parts to be used to fix the cable carrier to the machine or equipment



Should be attached to the both ends of the cable carrier

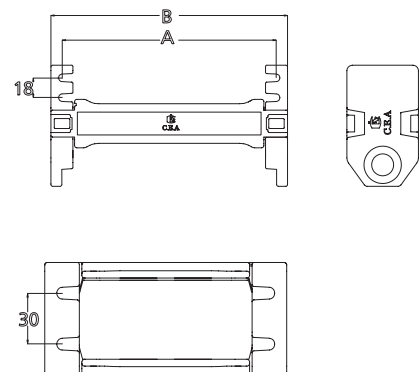
CABLE CARRIER CODE

END BRACKET CODE

A

B

CABLE CARRIER CODE	END BRACKET CODE	A	B
SE1S AL 250	SE1 B250	270	290
SE1S AL 300	SE1 B300	320	340
SE1S AL 400	SE1 B400	420	440
SE1S AL 500	SE1 B500	520	540



SF1SAL

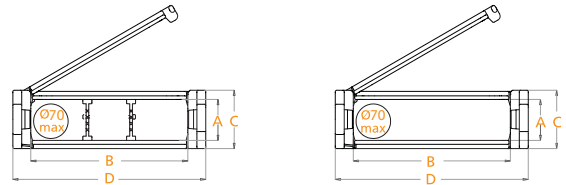
CABLE CARRIERS SLIDING SERIES WITH ALUMINUM BAR

Inner Height (A) 75mm	Code	Radius	(A)mm	(B)mm	(C)mm	(D)mm	Weight Kg/Mt
<ul style="list-style-type: none"> Both up and down sides have openable aluminum bars Suitable for long distances No complete covers (caps) (on both sides) Should be used in supporting tray Suitable to use with separators 	SF1S AL 250 R_01	150-200-250	75	250	105	290	2.425 Kg
	SF1S AL 300 R_01	150-200-250	75	300	105	340	2.730 Kg
	SF1S AL 400 R_01	150-200-250	75	400	105	440	3.660 Kg
	SF1S AL 500 R_01	150-200-250	75	500	105	540	3.390 Kg
	SF1S AL 600 R_01	150-200-250	75	600	105	640	3.490 Kg
	SF1S AL 700 R_01	150-200-250	75	700	105 <td 740	3.590 Kg	

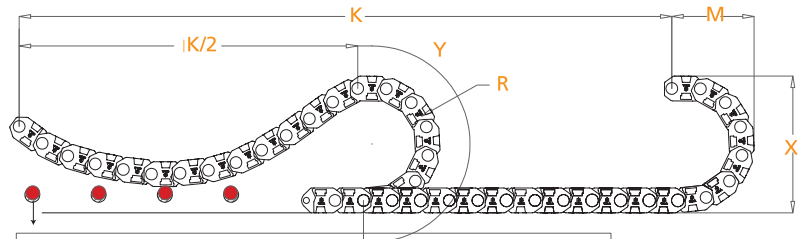
Maximum working speed :5M/S

Radius MUST be given in your orders. Example:

SF1S AL 250 R150



R mm	H mm	X mm	M mm	Y mm
150	75	405	257	621
200	75	505	307	778
250	75	605	357	935



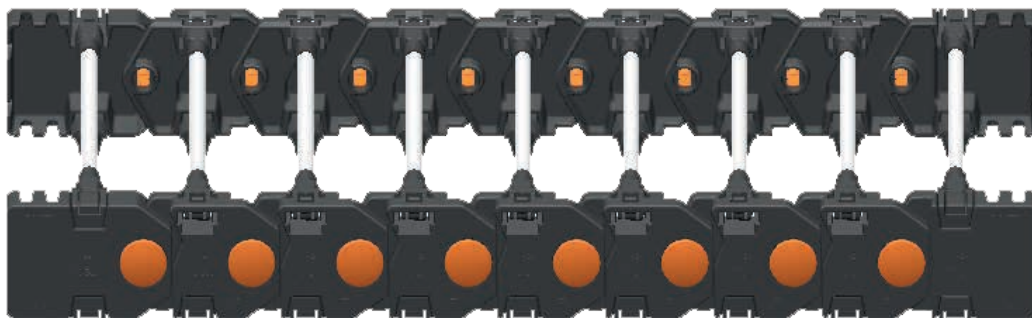
Should be used with supporting tray and rollers.
Code of support roller is ST01

L: Total length to be used

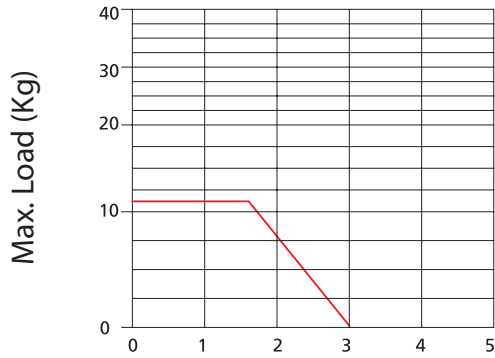
K: Movement distance

Y: Radius

$$L: \frac{K}{2} + Y$$



IMPORTANT POINTS

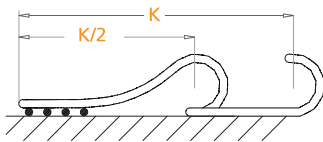


$$\frac{K}{2} \text{ Max. Length without support}$$

Self-supporting Capacity Diagram

Self-supporting capacity of the cable carrier according to weight of the cables and hoses

$$\frac{K}{2}$$



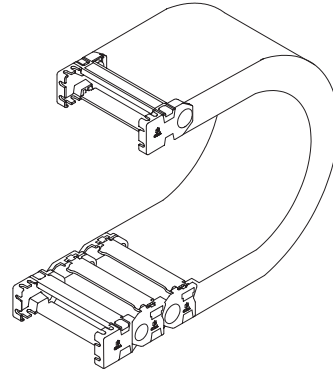
How to use support rollers:

- Make sure that the cap (cover) is fixed properly
- Use an appropriate hand tool (screw driver) to open the cap
- Be careful not to damage the fixing nail of the cap (cover)
- Be sure that side stoppers, used to fix end brackets are fixed properly.

How to choose end bracket

End bracket

End brackets are the parts to be used to fix the cable carrier to the machine or equipment



Should be attached to the both ends of the cable carrier

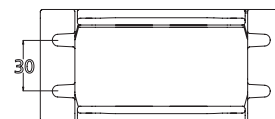
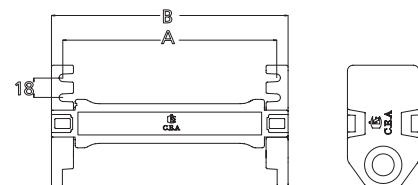
CABLE CARRIER CODE

END BRACKET CODE

A

B

CABLE CARRIER CODE	END BRACKET CODE	A	B
SF1S AL 250	SF1S AL B250	270	290
SF1S AL 300	SF1S AL B300	320	340
SF1S AL 400	SF1S AL B400	420	440
SF1S AL 500	SF1S AL B500	520	540



PURPOSE OF USING SLIDING SERIES

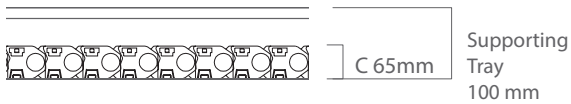
After longer than 4 meters movement distance, mostly bending (dropping) is occurred on the cable carriers. In order to prevent this bending (dropping), it is recommended to use Sliding Series...

Sliding Series should be used with an appropriate supporting tray and with supporting rollers...

How to use Supporting Tray

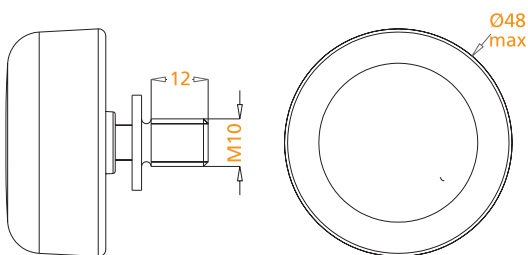
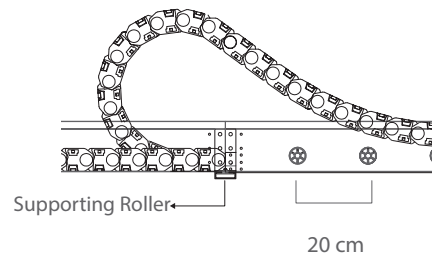
Relation between cable carrier and supporting tray is shown below. Depth of the supporting tray should be minimum 1.5 times bigger than outer height of the cable carrier.

Example: If C (outer height of cable carrier) is 65 mm, depth of the supporting tray should be minimum 100 mm.



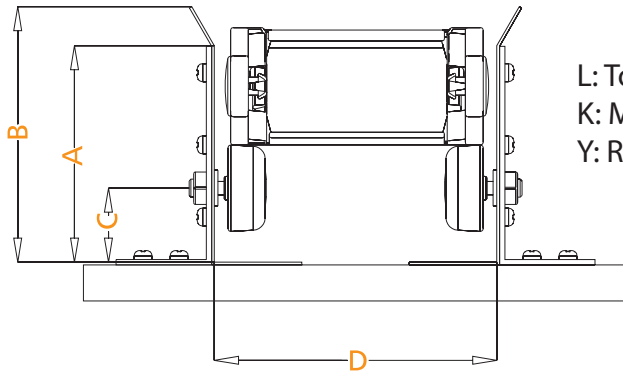
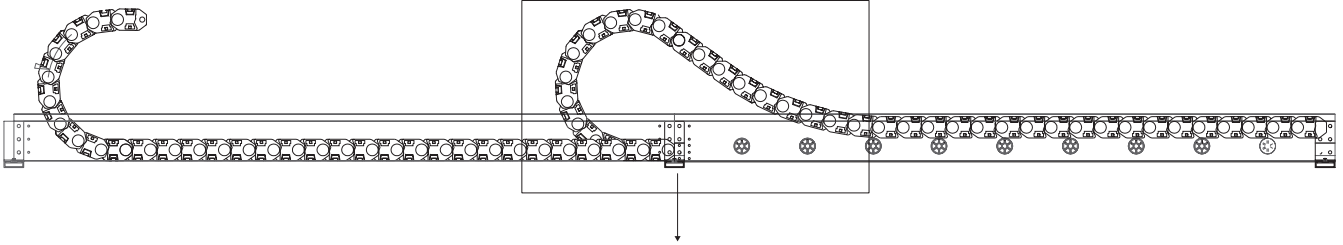
How to use Supporting Roller

As it is shown on below diagram, supporting rollers should be assembled in each 20 cm after the fixed end of the cable carrier.



Supporting Roller

Product Code ST01



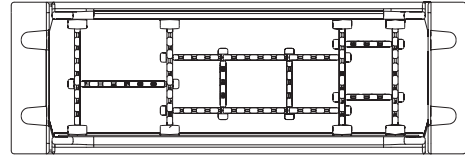
L: Total length to be used
 K: Movement distance
 Y: Radius

$$L: \frac{K}{2} + Y$$

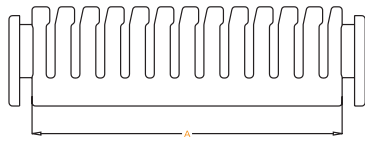
Product Code	A mm	B mm	C mm	D mm	Product Code	A mm	B mm	C mm	D mm	Ürün Kod	A mm	B mm	C mm	D mm
SD2S 080 R 01	120	142	41	137	SE1S 080 R 01	140	162	61	137	SF1S 080 R 01	160	182	81	137
SD2S 100 R 01	120	142	41	157	SE1S 100 R 01	140	162	61	157	SF1S 100 R 01	160	182	81	157
SD2S 120 R 01	120	142	41	177	SE1S 120 R 01	140	162	61	177	SF1S 120 R 01	160	182	81	177
SD2S 140 R 01	120	142	41	197	SE1S 140 R 01	120	162	61	197	SF1S 140 R 01	160	182	81	197
SD2S 175 R 01	120	142	41	232	SE1S 175 R 01	140	162	61	232	SF1S 175 R 01	160	182	81	232
SD2S 200 R 01	120	142	41	257	SE1S 200 R 01	140	162	61	257	SF1S 200 R 01	160	182	81	257

SEPARATOR

Separators are used to divide the inner part of cable carries as desired.



Horizontal Separators



To be used for horizontal divisions

Cable Carrier code

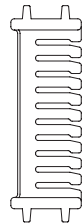
SD0
SD2S
SD9
SE1S

Product Code

A	A	A
SDEF SP 25	SDEF SP 25	SDEF SP 90
SDEF SP 25	SDEF SP 25	SDEF SP 90
SDEF SP 25	SDEF SP 25	SDEF SP 90
SDEF SP 25	SDEF SP 25	SDEF SP 90

Vertical Separators

To be used for vertical divisions



Cable Carrier code

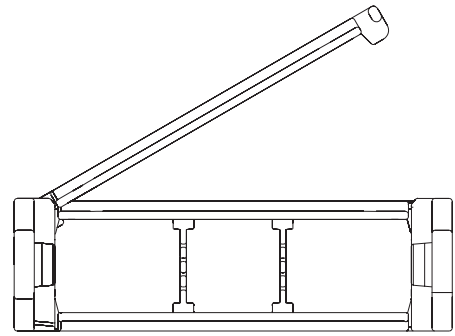
SD0
SD2S
SD9
SE1S
SF1S

Product Code

SD0 SP02
SD2S SP02
SD9 SP02
SE1S SP02
SF1S SP02

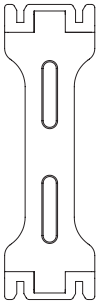
SEPARATOR

Separators are used to divide the inner part of cable carries as desired.



Horizontal Separators

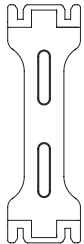
To be used for horizontal divisions



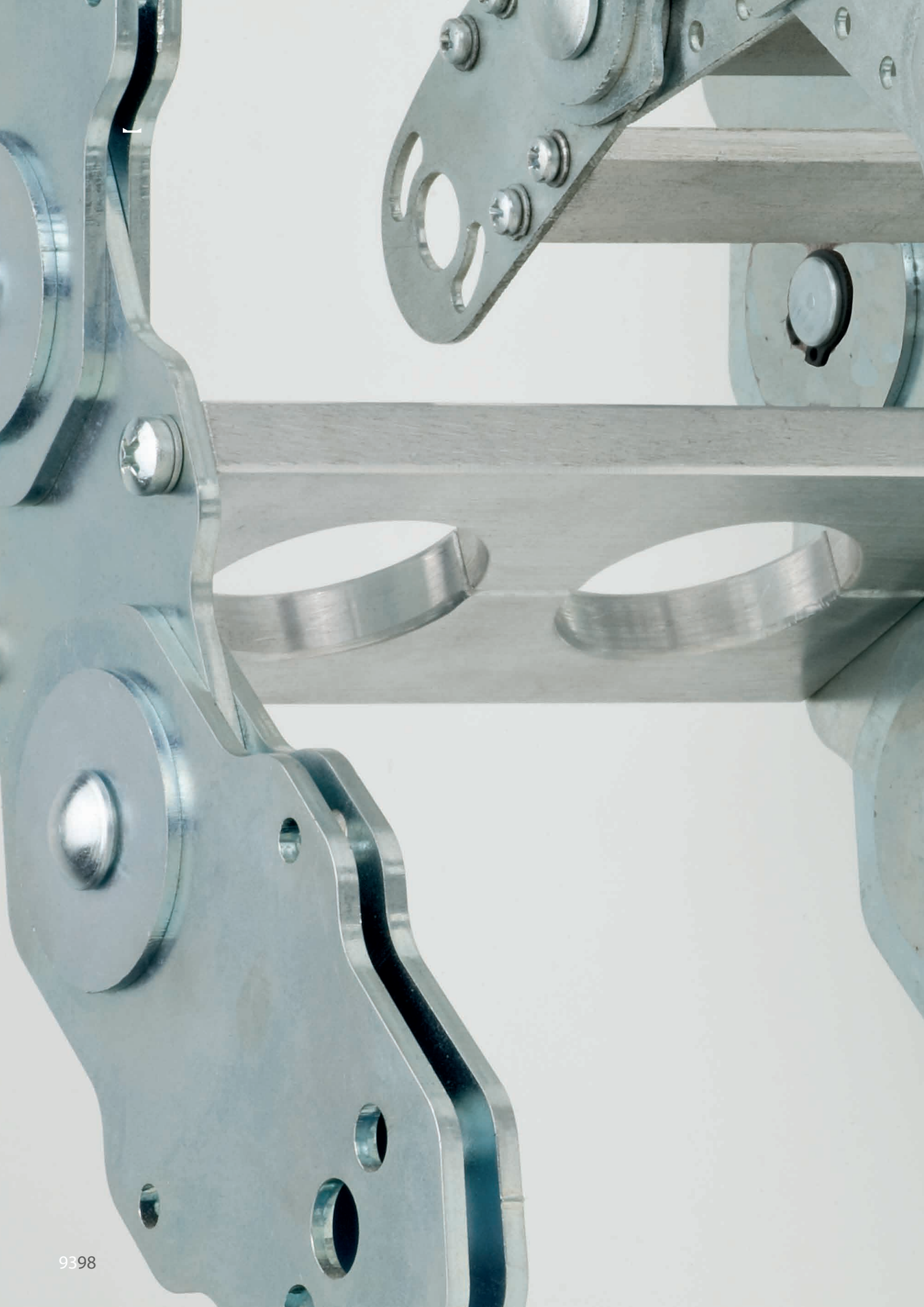
Cable Carrier code	Product Code
SD0	SD0 SP01
SD9	SD9 SP01

Vertical Separators

To be used for vertical divisions



Cable Carrier code	Product Code
SD2S	SD2S SP01
SE1S	SD2S SP01



CABLE CARRIERS STEEL SERIES

CODE	INNER HEIGHT (A)	PAGE NO
CS 020	20 mm	Page : 100-101
CS 035	35 mm	Page : 102-103
CS 050	50 mm	Page : 104-105
CS 060	60 mm	Page : 106-107
CS 075	75 mm	Page : 108-109
CS 100	100 mm	Page : 110-111
CS 150	150 mm	Page : 112-113
CS 200	200 mm	Page : 114-115
CSK	200 mm	Page : 116-117



CS020

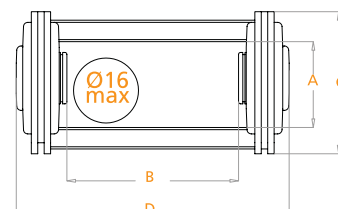
CABLE CARRIERS STEEL SERIES

Inner Height (A) 20mm	Code	Radius	(A)mm	(B)mm	(C)mm	(D)mm
<ul style="list-style-type: none"> • Both up and bottom parts (bars) are openable • Should be used in supporting tray • Suitable for low speeds 	CS 020 040 R	50-250	20	40	34	64
	CS 020 050 R	50-250	20	50	34	74
	CS 020 060 R	50-250	20	60	34	84
	CS 020 070 R	50-250	20	70	34	94
	CS 020 080 R	50-250	20	80	34	104
	CS 020 100 R	50-250	20	100	34	124

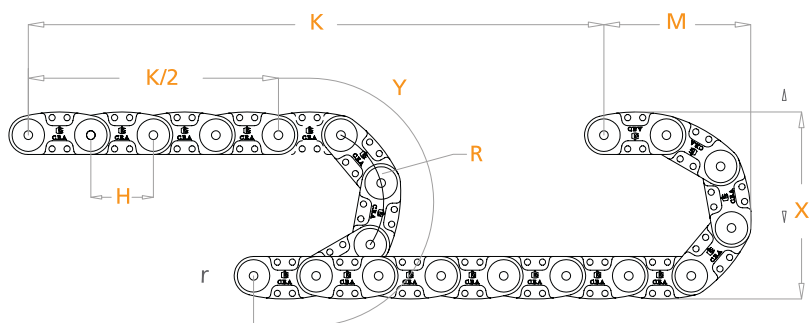
Maximum working speed :0.5M/S

Radius MUST be given in your orders. Example:

CS 020 040 R50



R mm	H mm	X mm	M mm	Y mm
50	50	134	67	257
250	50	534	267	885

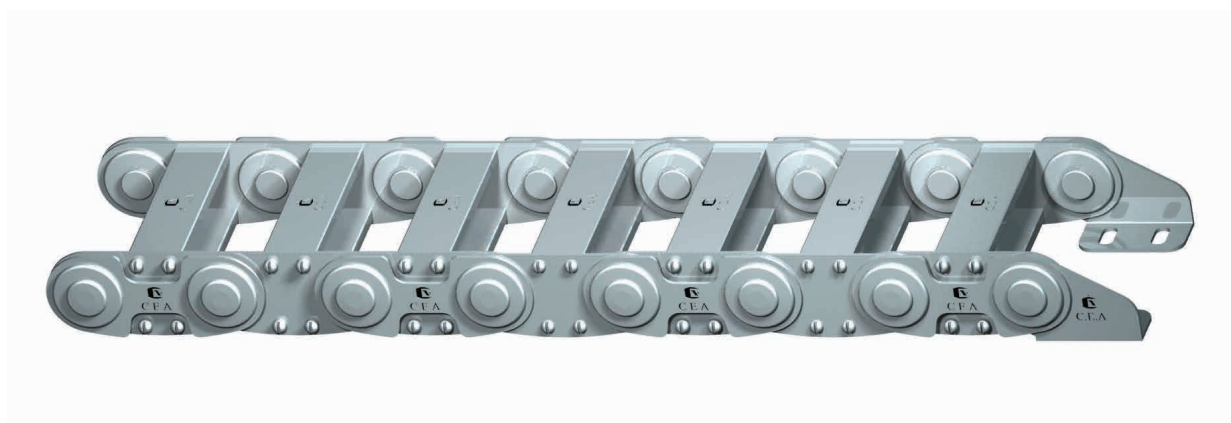


L: Total length to be used

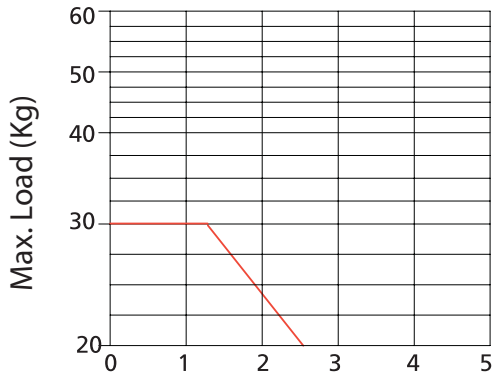
K: Movement distance

Y: Radius

$$L: \frac{K}{2} + Y$$



IMPORTANT POINTS

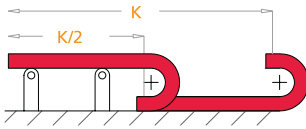


$$\frac{K}{2} \text{ Max. Length without support}$$

Self-supporting Capacity Diagram

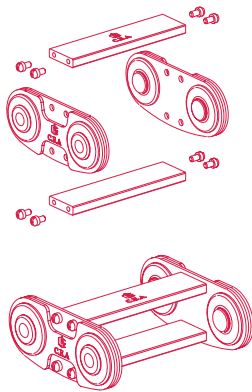
Self-supporting capacity of the cable carrier according to weight of the cables and hoses

$$\frac{K}{2}$$



How to use support rollers:

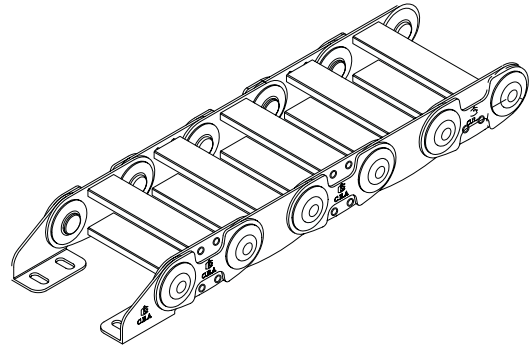
- Special separators can be made upon request
- Can be made by stainless steel material upon request
- Should be used in supporting tray
- Be careful against strong knocks
- Be sure that diameter of hydraulic pipe is max 16 mm.



How to choose end bracket

End bracket

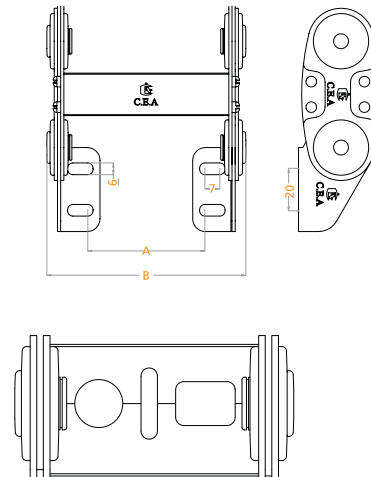
End brackets are the parts to be used to fix the cable carrier to the machine or equipment



Should be attached to the both ends of the cable carrier

CABLE CARRIER CODE	END BRACKET CODE	A	B
--------------------	------------------	---	---

CS 020 040 R	CS 020 040 B01	25	64
CS 020 050 R	CS 020 050 B01	35	74
CS 020 060 R	CS 020 060 B01	45	84
CS 020 070 R	CS 020 070 B01	55	94
CS 020 080 R	CS 020 080 B01	65	104
CS 020 100 R	CS 020 100 B01	85	124



CS035

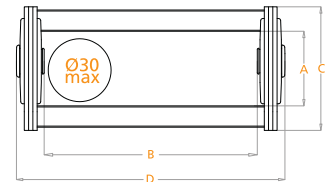
CABLE CARRIERS STEEL SERIES

Inner Height (A) 35mm	Code	Radius	(A)mm	(B)mm	(C)mm	(D)mm
	<ul style="list-style-type: none"> Both up and bottom parts (bars) are openable Should be used in supporting tray Suitable for low speeds 	CS 035 040 R	75-300	35	40	58
CS 035 060 R		75-300	35	60	58	86
CS 035 080 R		75-300	35	80	58	106
CS 035 100 R		75-300	35	100	58	126
CS 035 125 R		75-300	35	125	58	151
CS 035 150 R		75-300	35	150	58	176

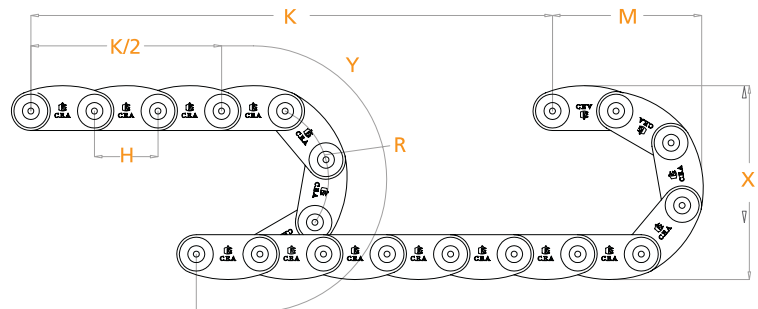
Maximum working speed :0.5M/S

Radius MUST be given in your orders. Example:

CS 035 040 R75



R mm	H mm	X mm	M mm	Y mm
50	50	134	67	257
250	50	534	267	885



L: Total length to be used

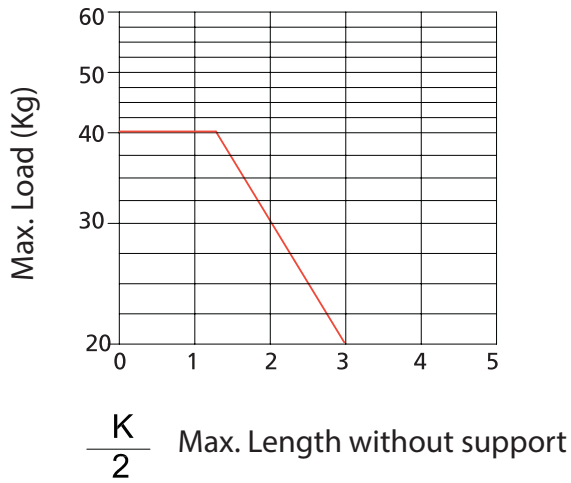
K: Movement distance

Y: Radius

$$L: \frac{K}{2} + Y$$

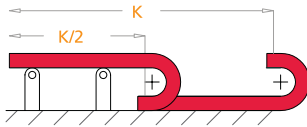


IMPORTANT POINTS



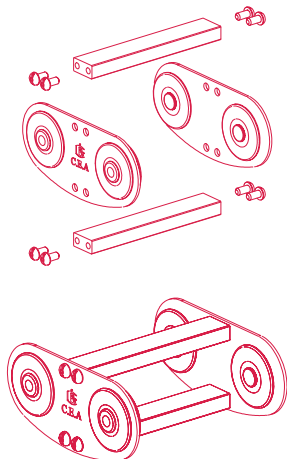
Self-supporting Capacity Diagram

Self-supporting capacity of the cable carrier according to weight of the cables and hoses $\frac{K}{2}$



How to use support rollers:

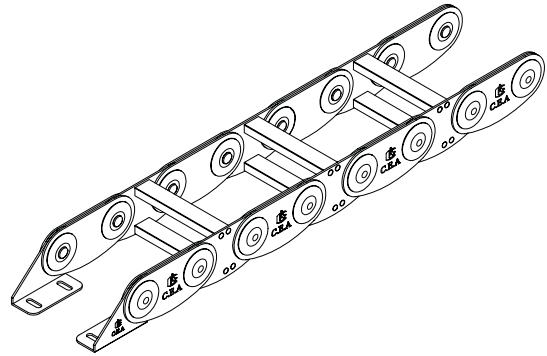
- Special separators can be made upon request
- Can be made by stainless steel material upon request
- Should be used in supporting tray
- Be careful against strong knocks
- Be sure that diameter of hydraulic pipe is max 30 mm.



How to choose end bracket

End bracket

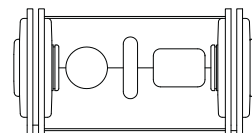
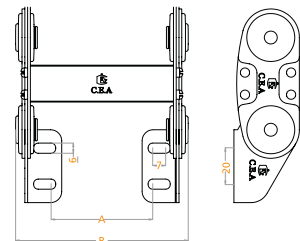
End brackets are the parts to be used to fix the cable carrier to the machine or equipment



Should be attached to the both ends of the cable carrier

CABLE CARRIER CODE **END BRACKET CODE** **A** **B**

CS 035 040 R	CS 035 040 B01	25	64
CS 035 050 R	CS 035 050 B01	35	74
CS 035 060 R	CS 035 060 B01	45	84
CS 035 070 R	CS 035 070 B01	55	94
CS 035 080 R	CS 035 080 B01	65	104
CS 035 100 R	CS 035 100 B01	85	124



CS050

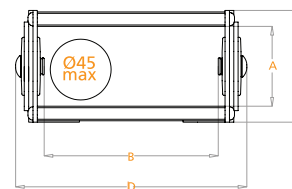
CABLE CARRIERS STEEL SERIES

Inner Height (A) 50mm	Code	Radius	(A)mm	(B)mm	(C)mm	(D)mm
<ul style="list-style-type: none"> • Both up and bottom parts (bars) are openable • Should be used in supporting tray • Suitable for low speeds 	CS 050 040 R	75-300	50	40	70	80
	CS 050 060 R	75-300	50	60	70	100
	CS 050 080 R	75-300	50	80	70	120
	CS 050 100 R	75-300	50	100	70	140
	CS 050 125 R	75-300	50	125	70	165
	CS 050 150 R	75-300	50	150	70	190

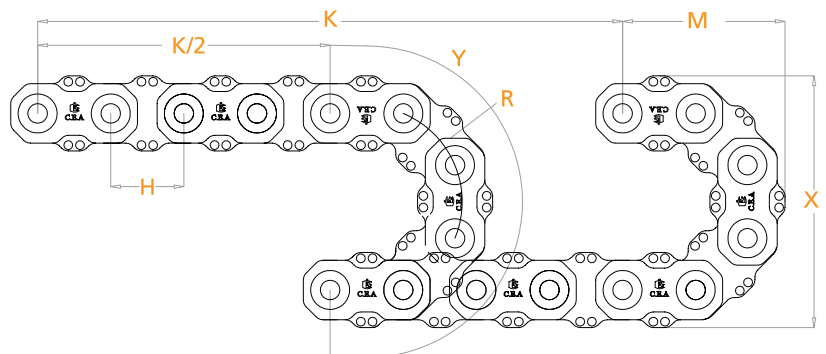
Maximum working speed :0.5M/S

Radius MUST be given in your orders. Example:

CS 050 040 R75



R mm	H mm	X mm	M mm	Y mm
75	75	220	110	385
300	75	670	335	1092

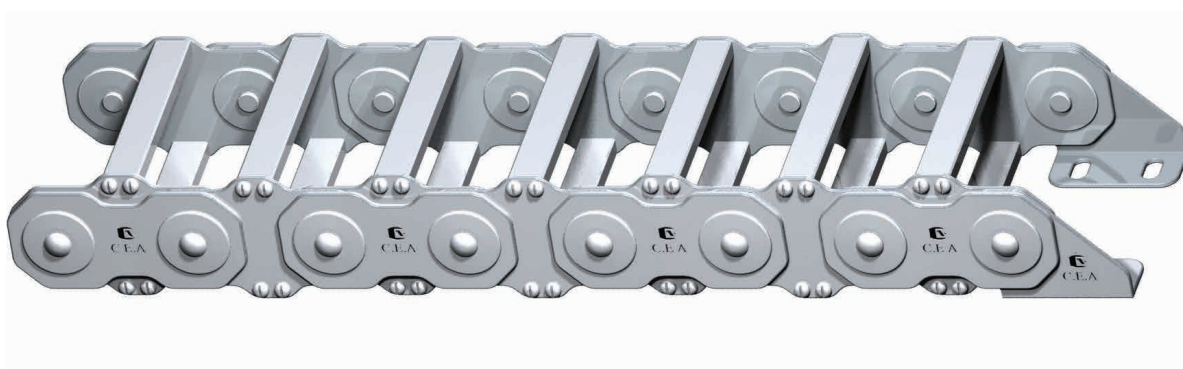


L: Total length to be used

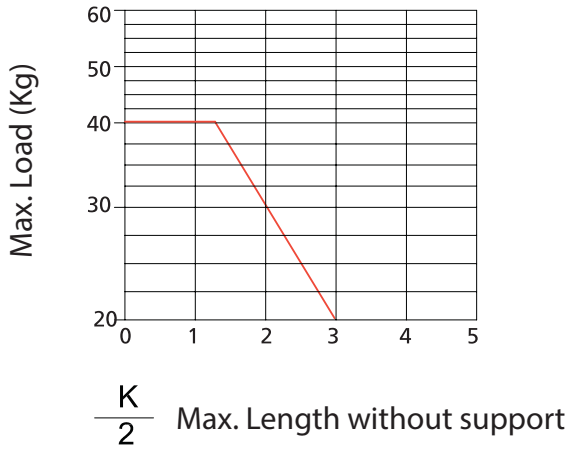
K: Movement distance

Y: Radius

$$L: \frac{K}{2} + Y$$



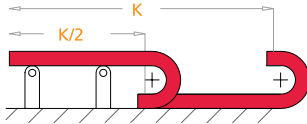
IMPORTANT POINTS



Self-supporting Capacity Diagram

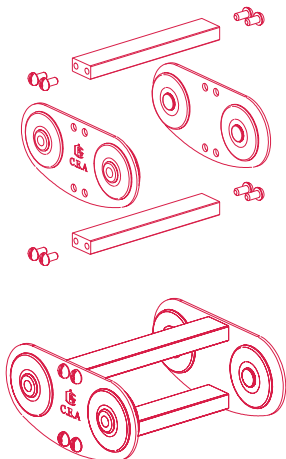
Self-supporting capacity of the cable carrier according to weight of the cables and hoses

$$\frac{K}{2}$$



How to use support rollers:

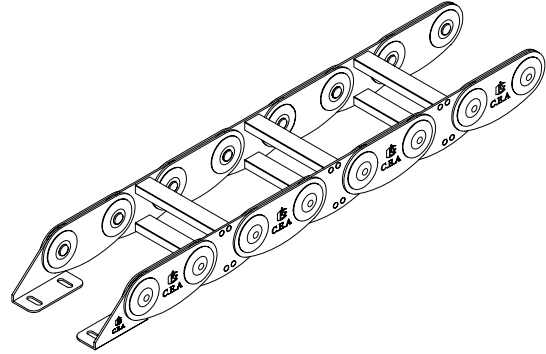
- Special separators can be made upon request
- Can be made by stainless steel material upon request
- Should be used in supporting tray
- Be careful against strong knocks
- Be sure that diameter of hydraulic pipe is max 45 mm.



How to choose end bracket

End bracket

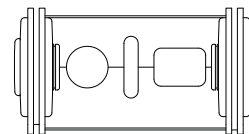
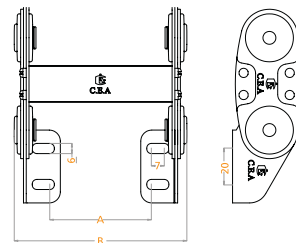
End brackets are the parts to be used to fix the cable carrier to the machine or equipment



Should be attached to the both ends of the cable carrier

CABLE CARRIER CODE **END BRACKET CODE** **A** **B**

CS 050 040 R	CS 050 040 B01	10	80
CS 050 060 R	CS 050 050 B01	30	100
CS 050 060 R	CS 050 060 B01	50	120
CS 050 100 R	CS 050 070 B01	70	140
CS 050 125 R	CS 050 080 B01	95	165
CS 050 150 R	CS 050 100 B01	120	190



CS060

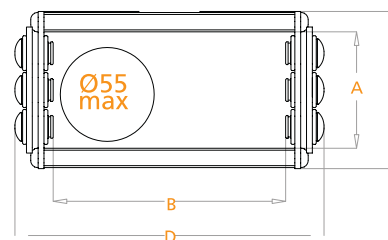
CABLE CARRIERS STEEL SERIES

Inner Height (A) 60mm	Code	Radius	(A)mm	(B)mm	(C)mm	(D)mm
<ul style="list-style-type: none"> Both up and bottom parts (bars) are openable Should be used in supporting tray Suitable for low speeds 	CS 060 080 R	80-400	60	80	80	100
	CS 060 100 R	80-400	60	100	80	140
	CS 060 125 R	80-400	60	125	80	165
	CS 060 150 R	80-400	60	150	80	190
	CS 060 200 R	80-400	60	200	80	240
	CS 060 250 R	80-400	60	250	80	290

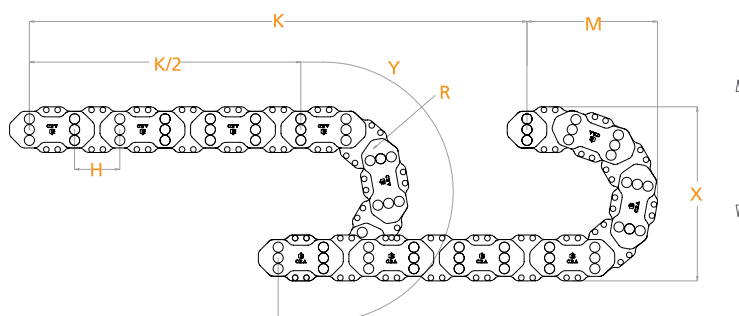
Maximum working speed :0.5M/S

Radius MUST be given in your orders. Example:

CS 060 100 R100



R mm	H mm	X mm	M mm	Y mm
80	80	240	120	411
400	80	880	440	1416



L: Total length to be used

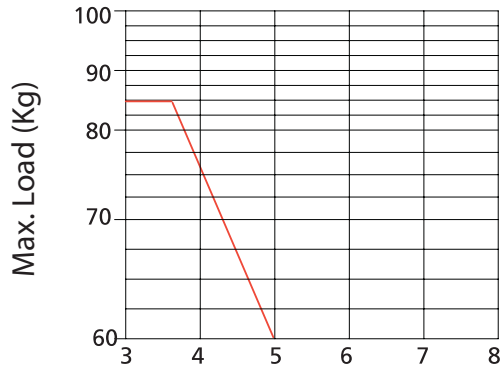
K: Movement distance

Y: Radius

$$L: \frac{K}{2} + Y$$



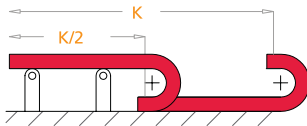
IMPORTANT POINTS



$$\frac{K}{2} \text{ Max. Length without support}$$

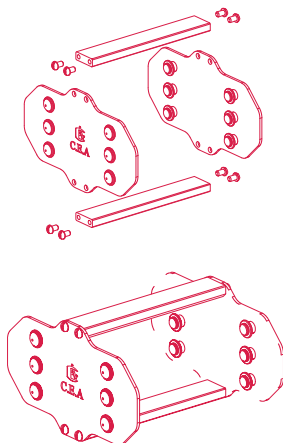
Self-supporting Capacity Diagram

Self-supporting capacity of the cable carrier according to weight of the cables and hoses $\frac{K}{2}$



How to use support rollers:

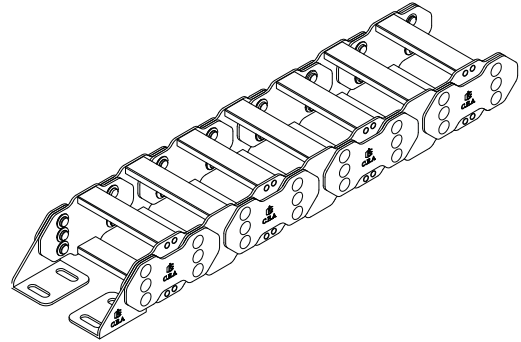
- Special separators can be made upon request
- Can be made by stainless steel material upon request
- Should be used in supporting tray
- Be careful against strong knocks
- Be sure that diameter of hydraulic pipe is max 55 mm..



How to choose end bracket

End bracket

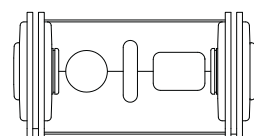
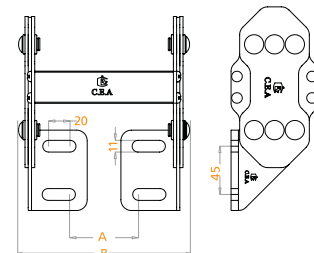
End brackets are the parts to be used to fix the cable carrier to the machine or equipment



Should be attached to the both ends of the cable carrier

CABLE CARRIER CODE **END BRACKET CODE** **A** **B**

CABLE CARRIER CODE	END BRACKET CODE	A	B
CS 060 080 R	CS 060 080 B01	10	80
CS 060 100 R	CS 060 100 B01	30	100
CS 060 125 R	CS 060 125 B01	50	120
CS 060 150 R	CS 060 150 B01	70	140
CS 060 200 R	CS 060 200 B01	95	165
CS 060 250 R	CS 060 250 B01	120	190



CS075

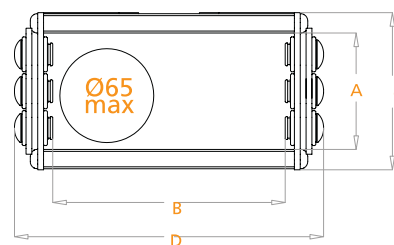
CABLE CARRIERS STEEL SERIES

Inner Height(A) 75mm	Code	Radius	(A)mm	(B)mm	(C)mm	(D)mm
<ul style="list-style-type: none"> • Both up and bottom parts (bars) are openable • Should be used in supporting tray • Suitable for low speeds 	CS 075 100 R	100-500	75	100	98	140
	CS 075 125 R	100-500	75	125	98	165
	CS 075 150 R	100-500	75	150	98	190
	CS 075 200 R	100-500	75	200	98	240
	CS 075 250 R	100-500	75	250	98	290
	CS 075 300 R	100-500	75	300	98	340

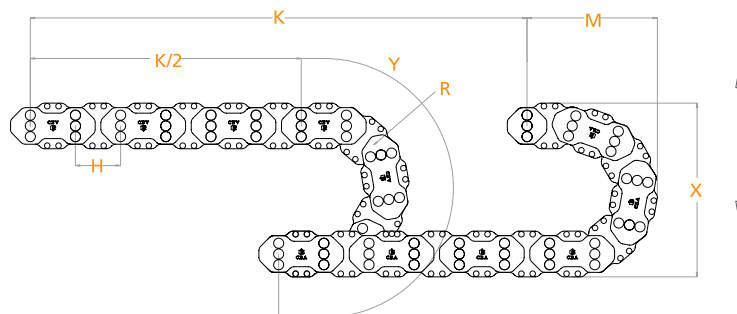
Maximum working speed :0.5M/S

Radius MUST be given in your orders. Example:

CS 075 100 R100



R mm	H mm	X mm	M mm	Y mm
100	90	298	149	494
500	90	1098	549	1750



L: Total length to be used

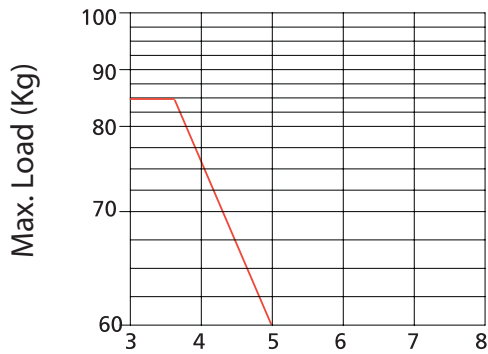
K: Movement distance

Y: Radius

$$L: \frac{K}{2} + Y$$



IMPORTANT POINTS

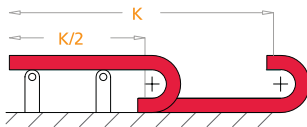


$\frac{K}{2}$ Max. Length without support

Self-supporting Capacity Diagram

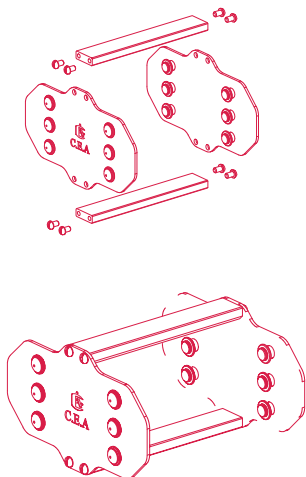
Self-supporting capacity of the cable carrier according to weight of the cables and hoses

$$\frac{K}{2}$$



How to use support rollers:

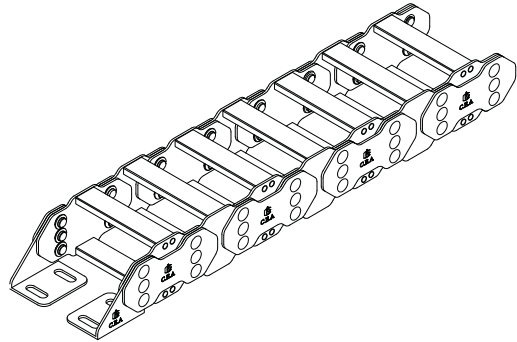
- Special separators can be made upon request
- Can be made by stainless steel material upon request
- Should be used in supporting tray
- Be careful against strong knocks
- Be sure that diameter of hydraulic pipe is max 65 mm.



How to choose end bracket

End bracket

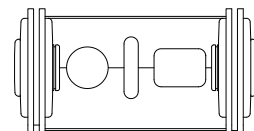
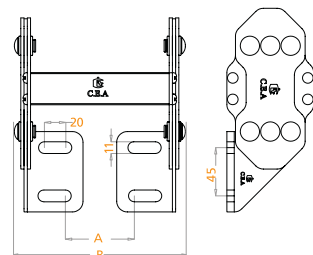
End brackets are the parts to be used to fix the cable carrier to the machine or equipment



Should be attached to the both ends of the cable carrier

CABLE CARRIER CODE	END BRACKET CODE	A	B
--------------------	------------------	---	---

CS 075 100 R	CS 075 100 B01	48	140
CS 075 125 R	CS 075 125 B01	73	165
CS 075 150 R	CS 075 150 B01	98	190
CS 075 200 R	CS 075 200 B01	148	240
CS 075 250 R	CS 075 250 B01	198	290
CS 075 300 R	CS 075 300 B01	248	340



CS100

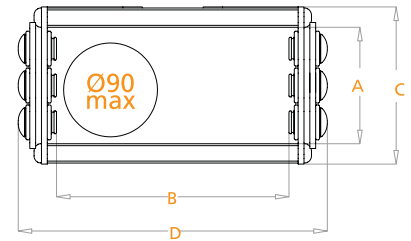
CABLE CARRIERS STEEL SERIES

Inner Height (A) 100mm	Code	Radius	(A)mm	(B)mm	(C)mm	(D)mm
<ul style="list-style-type: none"> • Both up and bottom parts (bars) are openable • Should be used in supporting tray • Suitable for low speeds 	CS 100 125 R	125-500	100	125	120	175
	CS 100 150 R	125-500	100	150	120	200
	CS 100 200 R	125-500	100	200	120	250
	CS 100 250 R	125-500	100	250	120	300
	CS 100 300 R	125-500	100	300	120	350
	CS 100 350 R	125-500	100	350	120	400

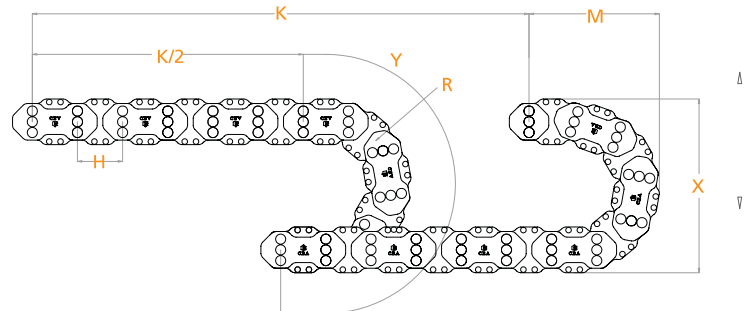
Maximum working speed :0.5M/S

Radius MUST be given in your orders. Example:

CS 100 150 R 125



R mm	H mm	X mm	M mm	Y mm
100	90	298	149	494
500	90	1098	549	1750



L: Total length to be used

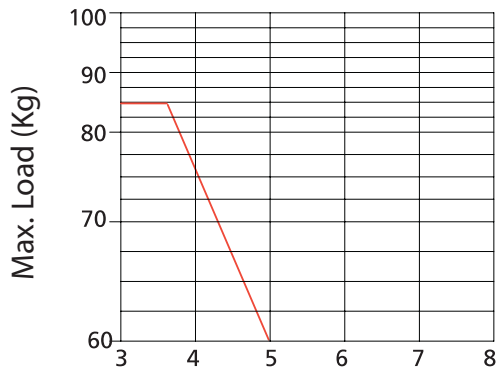
K: Movement distance

Y: Radius

$$L: \frac{K}{2} + Y$$



IMPORTANT POINTS

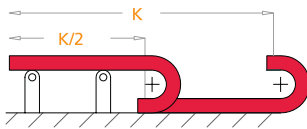


$$\frac{K}{2} \text{ Max. Length without support}$$

Self-supporting Capacity Diagram

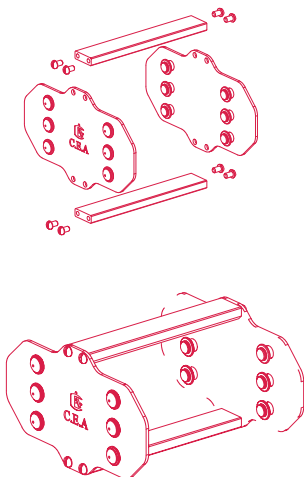
Self-supporting capacity of the cable carrier according to weight of the cables and hoses

$$\frac{K}{2}$$



How to use support rollers:

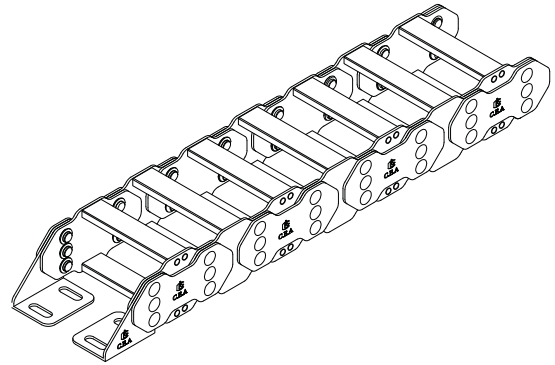
- Special separators can be made upon request
- Can be made by stainless steel material upon request
- Should be used in supporting tray
- Be careful against strong knocks
- Be sure that diameter of hydraulic pipe is max 90 mm.



How to choose end bracket

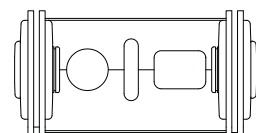
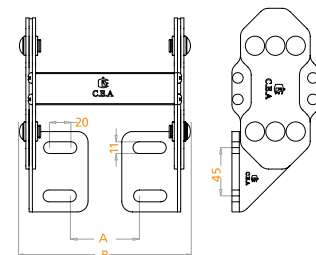
End bracket

End brackets are the parts to be used to fix the cable carrier to the machine or equipment



Should be attached to the both ends of the cable carrier

CABLE CARRIER CODE	END BRACKET CODE	A	B
CS100 125 R	CS 100 125 B01	60	175
CS 100 150 R	CS 100 150 B01	85	200
CS 100 200 R	CS 100 200 B01	135	250
CS 100 250 R	CS 100 250 B01	185	300
CS 100 300 R	CS 100 300 B01	235	350
CS 100 350 R	CS 100 350 B01	285	400



ÇS150

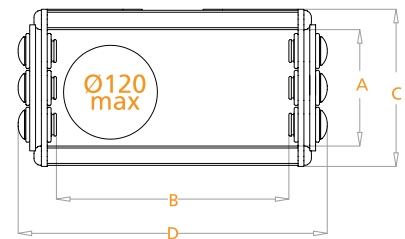
CABLE CARRIERS STEEL SERIES

Inner Height (A) 150mm	Code	Radius	(A)mm	(B)mm	(C)mm	(D)mm
<ul style="list-style-type: none"> • Both up and bottom parts (bars) are openable • Should be used in supporting tray • Suitable for low speeds 	CS 150 200 R	250-1000	150	200	187	260
	CS 150 250 R	250-1000	150	250	187	310
	CS 150 300 R	250-1000	150	300	187	360
	CS 150 350 R	250-1000	150	350	187	410
	CS 150 400 R	250-1000	150	400	187	460
	CS 150 500 R	250-1000	150	500	187	500

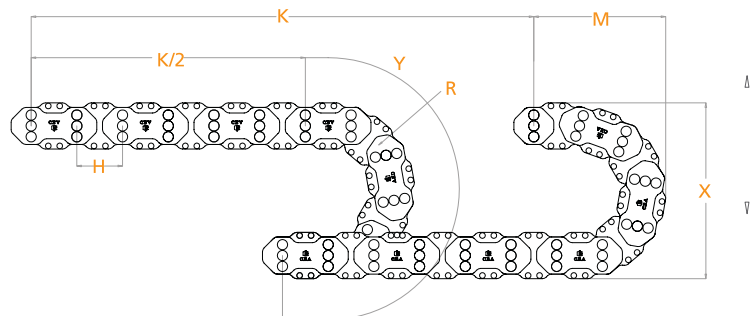
Maximum working speed :0.5M/S

Radius MUST be given in your orders. Example:

CS 150 200 R250



R mm	H mm	X mm	M mm	Y mm
250	180	688	344	1145
1000	180	2188	1094	3500

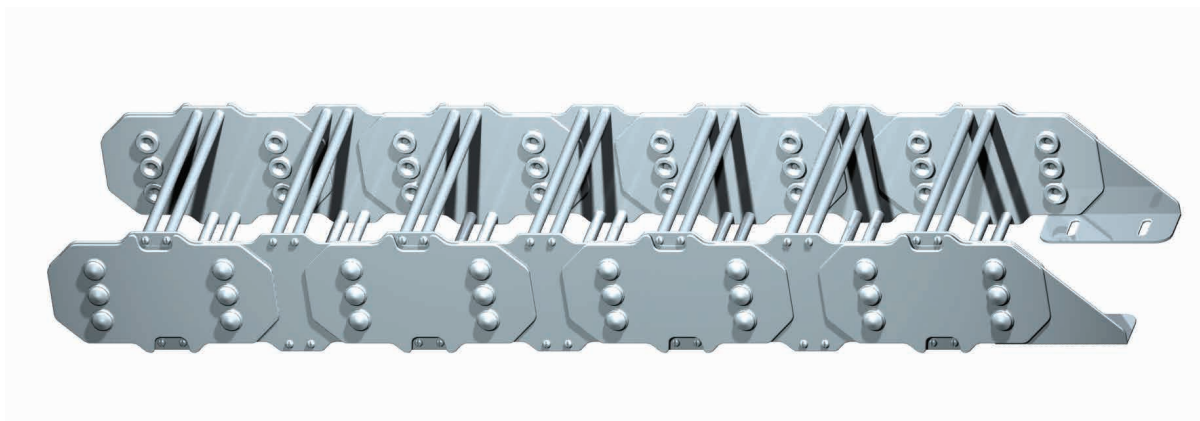


L: Total length to be used

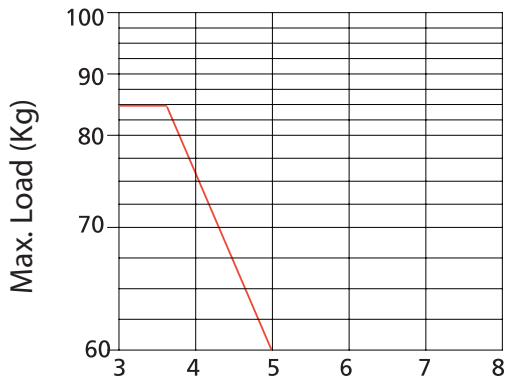
K: Movement distance

Y: Radius

$$L: \frac{K}{2} + Y$$



IMPORTANT POINTS

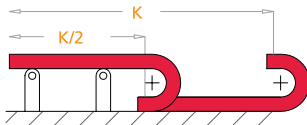


$$\frac{K}{2} \text{ Max. Length without support}$$

Self-supporting Capacity Diagram

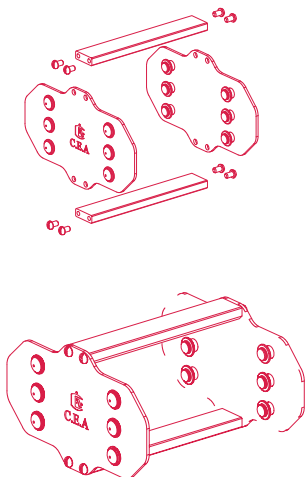
Self-supporting capacity of the cable carrier according to weight of the cables and hoses

$$\frac{K}{2}$$



How to use support rollers:

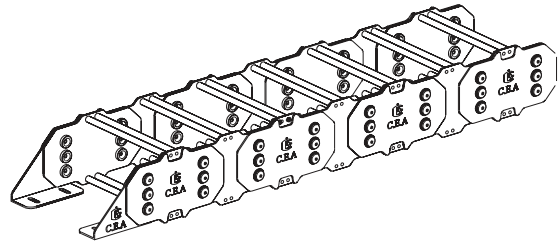
- Special separators can be made upon request
- Can be made by stainless steel material upon request
- Should be used in supporting tray
- Be careful against strong knocks
- Be sure that diameter of hydraulic pipe is max 120 mm.



How to choose end bracket

End bracket

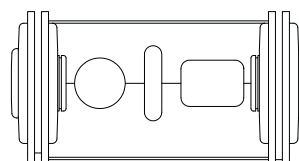
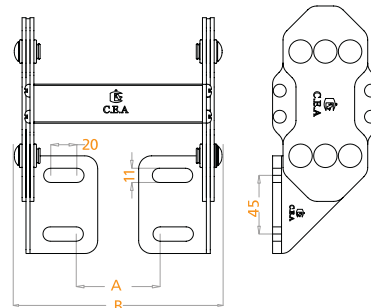
End brackets are the parts to be used to fix the cable carrier to the machine or equipment



Should be attached to the both ends of the cable carrier

CABLE CARRIER CODE **END BRACKET CODE** **A** **B**

CABLE CARRIER CODE	END BRACKET CODE	A	B
CS 150 200 R	CS 150 200 B01	126	260
CS 150 250 R	CS 150 250 B01	176	310
CS 150 300 R	CS 150 300 B01	226	360
CS 150 350 R	CS 150 350 B01	276	410
CS 150 400 R	CS 150 400 B01	326	460
CS 150 500 R	CS 150 500 B01	426	560



CS200

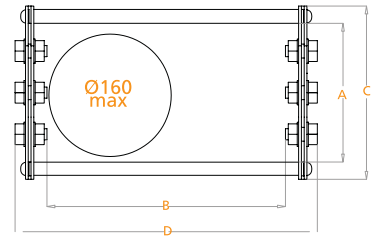
CABLE CARRIERS STEEL SERIES

Inner Height (A) 200mm	Code	Radius	(A)mm	(B)mm	(C)mm	(D)mm
	<ul style="list-style-type: none"> • Both up and bottom parts (bars) are openable • Should be used in supporting tray • Suitable for low speeds 	CS 200 200 R	300-1000	200	200	250
CS 200 250 R		300-1000	200	250	250	330
CS 200 300 R		300-1000	200	300	250	380
CS 200 350 R		300-1000	200	350	250	430
CS 200 400 R		300-1000	200	400	250	480
CS 200 500 R		300-1000	200	500	250	500

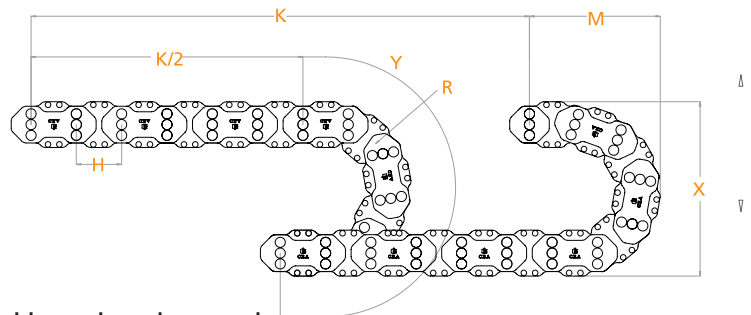
Maximum working speed :0.5M/S

Radius MUST be given in your orders. Example:

CS 200 200 R300



R mm	H mm	X mm	M mm	Y mm
300	280	850	425	1502
1000	280	2250	1125	3700



L: Total length to be used

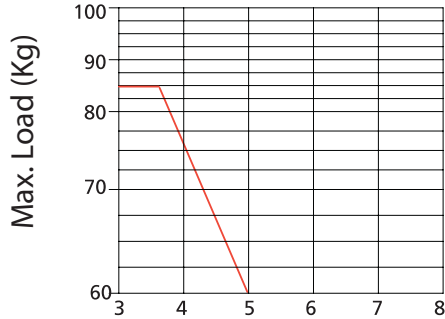
K: Movement distance

Y: Radius

$$L: \frac{K}{2} + Y$$



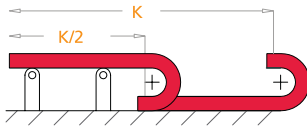
IMPORTANT POINTS



$\frac{K}{2}$ Max. Length without support

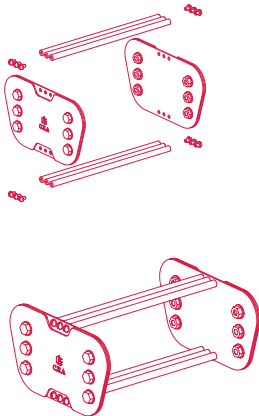
Self-supporting Capacity Diagram

Self-supporting capacity of the cable carrier according to weight of the cables and hoses $\frac{K}{2}$



How to use support rollers:

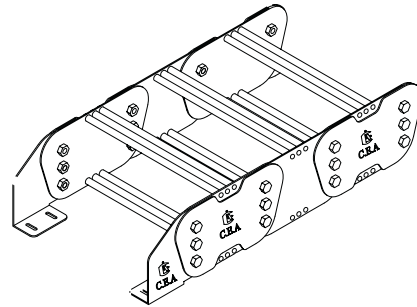
- Special separators can be made upon request
- Can be made by stainless steel material upon request
- Should be used in supporting tray
- Be careful against strong knocks
- Be sure that diameter of hydraulic pipe is max 160 mm.



How to choose end bracket

End bracket

End brackets are the parts to be used to fix the cable carrier to the machine or equipment



Should be attached to the both ends of the cable carrier

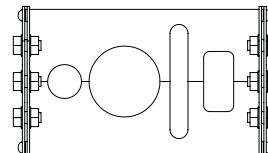
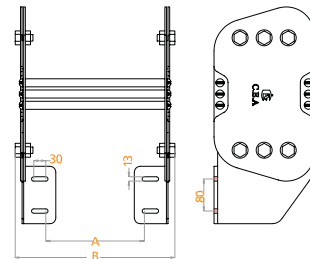
CABLE CARRIER CODE

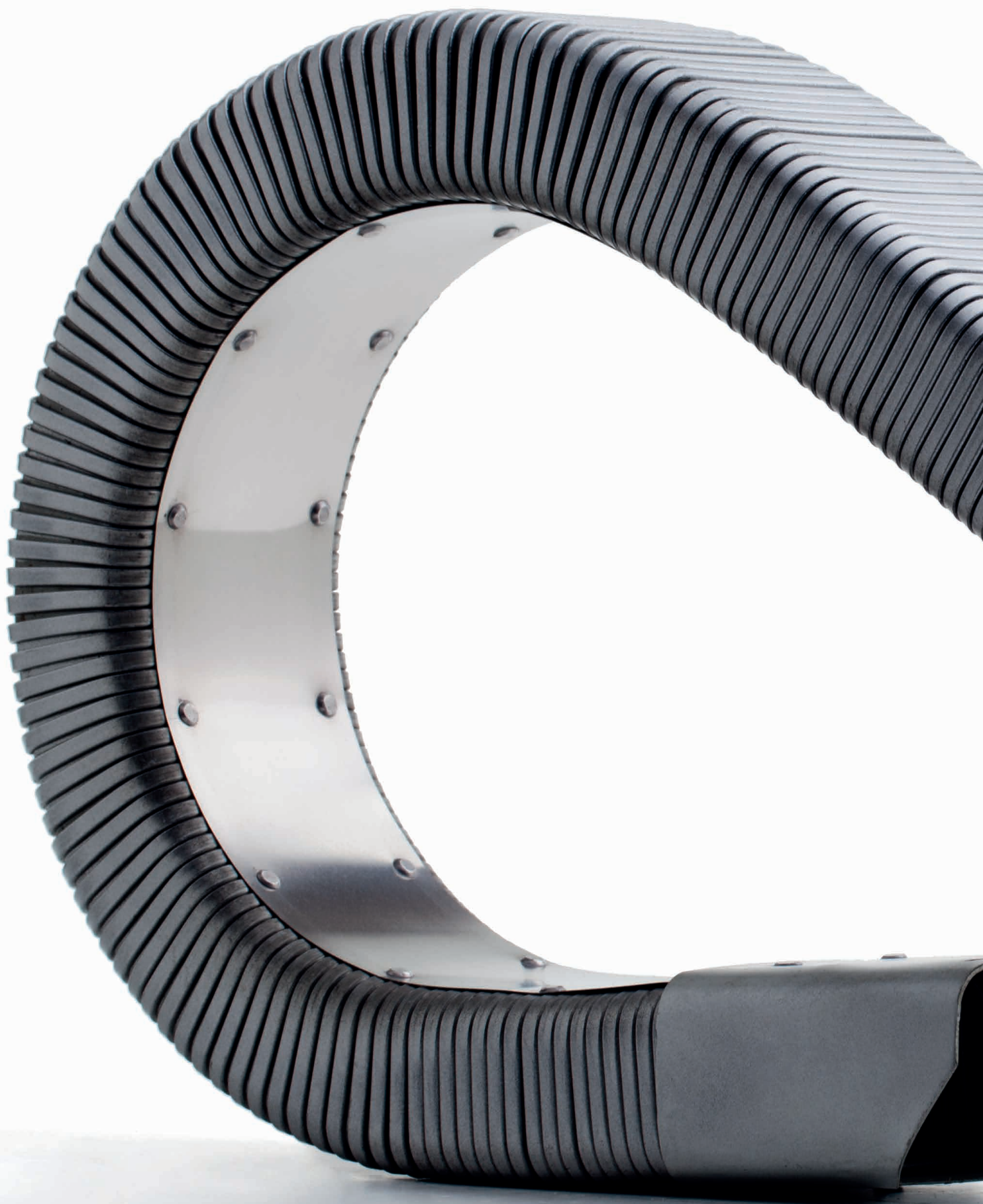
END BRACKET CODE

A

B

CABLE CARRIER CODE	END BRACKET CODE	A	B
CS 200 200 R	CS 200 200 B01	126	260
CS 200 250 R	CS 200 250 B01	176	310
CS 200 300 R	CS 200 300 B01	226	360
CS 200 350 R	CS 200 350 B01	276	410
CS 200 400 R	CS 200 400 B01	326	460
CS 200 500 R	CS 200 500 B01	426	560





CABLE CARRIERS TUBUFLEX



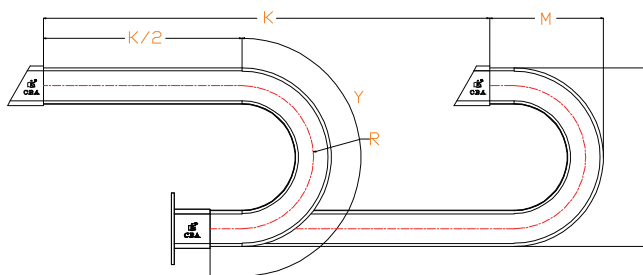
CABLE CARRIERS TUBUFLEX

Inner Height (A) 22 – 25 – 35 – 38 – 40 – 52 – 60 – 72 mm

Fully enclosed steel series. Should be used with supporting tray.

AXB	(CXD)	E	F	G	H	I	L	J	K	N	P	S	X	T	Q	R	(KG/M)
CSK 22 X 32	27.5 X 36.7	38	18	25	22	10	23	60	20	40	78	60	55	38	5.5	70	1.3
CSK 25 X 50	31.5 X 54.5	58	30	35	25	10	33	70	25	50	90	75	60	45	5.5	90	1.75
CSK 35 X 60	40.1 X 64.4	69	40	45	25	10	44	70	30	50	100	80	70	52	5.5	100	2.1
CSK 38 X 73	43.7 X 77.8	82	50	55	35	10	47	90	35	55	110	85	82	62	6.5	110	2.36
CSK 40 X 80	45.4 X 84.7	89	50	65	50	15	49	120	40	60	120	100	90	68	9	120	2.5
CSK 52 X 102	57.5 X 107.8	113	65	80	50	15	63	130	45	60	140	120	100	80	9	140	2.85
CSK 60 X 120	67.5 X 127.7	132	90	90	80	20	71	150	45	70	170	146	110	84	9	180	3.15
CSK 60 X 130	65.1 X 134.4	141	95	100	90	20	71	160	50	75	180	150	120	90	9	180	3.25
CSK 72 X 162	78.4 X 168.2	184	120	120	100	20	82	180	60	80	180	180	130	100	9	210	4.5

AXB mm	R mm	Z mm	M mm	Y mm
CSK 22X32	70	167.5	84	220
CSK 25X50	90	211.5	106	283
CSK 35X60	100	240	120	314
CSK 38X73	110	264	132	345
CSK 40X80	120	285.5	143	377
CSK 52X102	140	337.5	169	440
CSK 60X120	180	427.5	214	565
CSK 60X130	180	425	212.5	565
CSK 60X162	210	498.5	249	660



L: Total length to be used

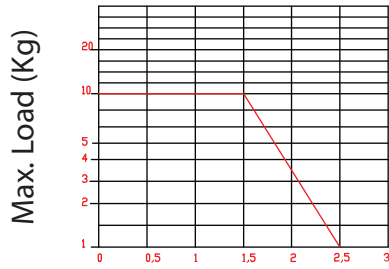
K: Movement distance

Y: Radius

$$L: \frac{K}{2} + Y$$



IMPORTANT POINTS

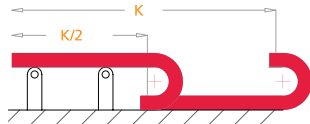


SÇK040

Self-supporting Capacity Diagram

Self-supporting capacity of the cable carrier according to weight of the cables and hoses

$$\frac{K}{2}$$



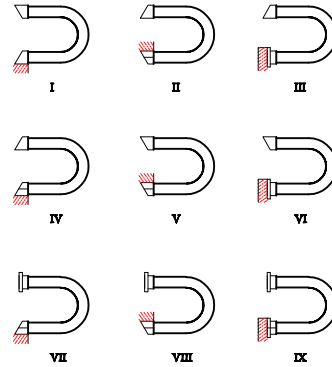
How to use the supporting rollers

$$\frac{K}{2}$$

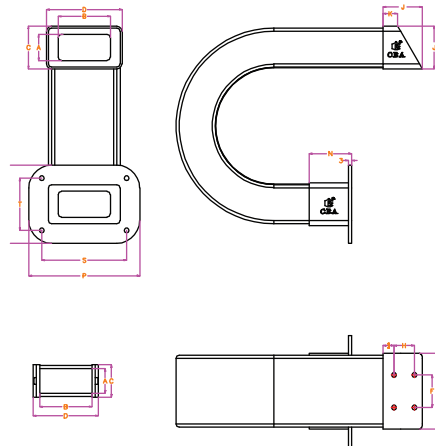
Should be used when the conditions of K/2 self supporting conditions are exceeded.

How to choose end bracket

End brackets are the parts to be used to fix the cable carrier to the machine or equipment



Should be attached to the both ends of the cable carrier



Please refer to the next page for the dimensions



CABLE CARRIERS CONDUFLEX



CABLE CARRIERS CONDUFLEX

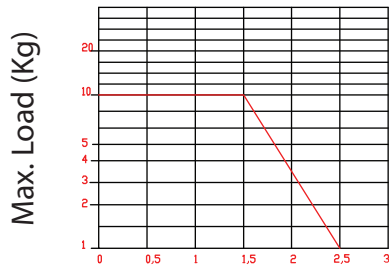
Inner Height (A) 22 – 25 – 35 – 38 – 40 – 52 – 60 – 72 mm

Fully enclosed steel series. Should be used with supporting tray.

PRODUCT COD	AXB	CXD	R (RADIUS)	SELF-SUPPOING DISTANCE (MT)	TOTEL WEIGHT
CSC 25	25X45	39X62	60	1,5	3
CSC 38	38X73	53X91	100	2,0	4
CSC 45	45X90	61X108	120	2,3	5
CSC 52	52X102	70X122	140	2,5	8
CSC 60	60X120	81X144	160	2,7	10
CSC 62	60X150	81X184	165	2,9	14
CSC 72	72X162	93X186	185	3,0	20



IMPORTANT POINTS

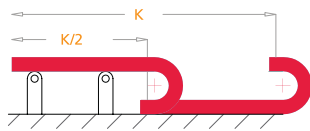


CSC 040

Self-supporting Capacity Diagram

Self-supporting capacity of the cable carrier according to weight of the cables and hoses

$$\frac{K}{2}$$



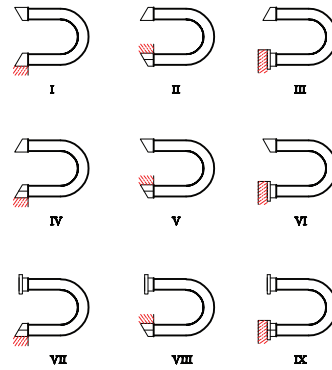
How to use the supporting rollers

$$\frac{K}{2}$$

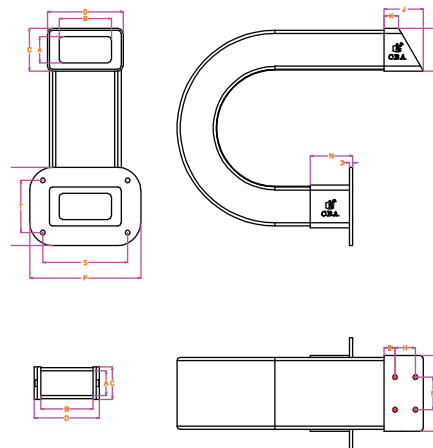
Should be used when the conditions of $K/2$ self supporting conditions are exceeded.

How to choose end bracket

End brackets are the parts to be used to fix the cable carrier to the machine or equipment



Should be attached to the both ends of the cable carrier



Please refer to the next page for the dimensions





CABLE CONNECTORS (GLANDS)

Cable Glands are designed to attach and secure the end of a cable to the equipment. They provide strain-relief and connect by a means suitable for the type and description of cable for which it is designed. Cable glands may also be used for sealing cables passing through bulkheads or gland plates.

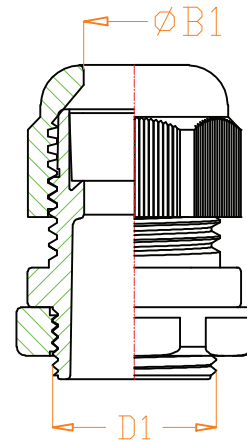
They are used throughout a number of industries in conjunction with cable and wiring used in electrical instrumentation and automation systems.

Cable glands may be used on all types of electrical power, control, instrumentation, data and telecommunications cables. They are used as a sealing and termination device to ensure that the characteristics of the enclosure which the cable enters can be maintained adequately.

CABLE CONNECTORS (GLANDS)

Technical Characteristics

Raw Material: Polyamide
 Color: RAL 7001 (gray) RAL 9005 (black)
 Screw Thread: M: EN60423, PG: DIN40430
 Protection Class: IP68
 Temperature Range: - 30° + 80° permanent
 Temperature Range: + 150° temporary
 O-Ring Material: TPV (ThermoPlastic Vulcanizate)



PRODUCT CODE	Thread	M	B1	
ET PG7-G	ET PG7-S	PG7	13	3-6.5
ET PG9-G	ET PG9-S	PG9	16	4-8
ET PG11-G	ET PG11-S	PG11	19	5-10
ET PG13.5-G	ET PG13.5-S	PG13.5	21	6-12
ET PG716-G	ET PG16-S	PG16	23	10-14
ET PG721-G	ET PG21-S	PG21	29	13-18
ET PG729-G	ET PG29-S	PG29	37	18-25
ET PG736-G	ET PG36-S	PG36	47	22-32
ET PG742-G	ET PG42-S	PG42	54	30-38
ET PG748-G	ET PG48-S	PG48	59	34-44

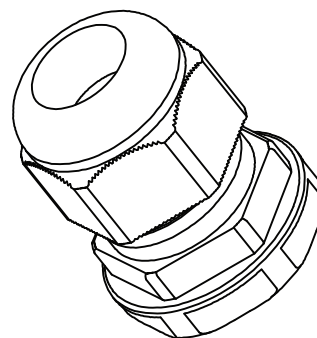
Product Order Sample: ETPG7 - G

Product Order Sample: ETPG7 - S

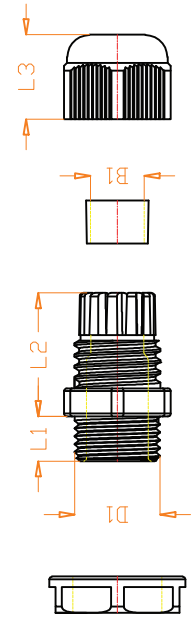
PRODUCT CODE	Thread	M	B1	
ET M12-G	ET M12-S	M12	12	3-6.5
ET M16K-G	ET M16K-S	M16K	16	4-8
ET M16-G	ET M16-S	M16	16	5-10
ET M20K-G	ET M20K-S	M20K	20	6-12
ET M20-G	ET M20-S	M20	20	10-14
ET M25-G	ET M25-S	M25	25	13-18
ET M32-G	ET M32-S	M32	32	18-25
ET M40-G	ET M40-S	M40	40	22-32
ET M50-G	ET M50-S	M50	50	30-38
ET M63-G	ET M63-S	M63	63	34-44

Product Order Sample: ETM16 - G

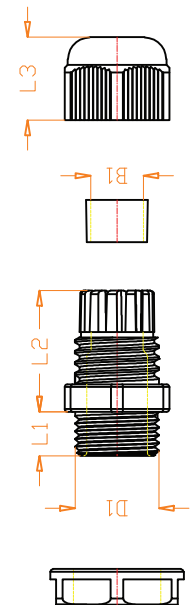
Product Order Sample: ETM16 - S



Thread	Outer Diameter of Thread	B1	L1	L2	L3	Clamping Range (Cable Diameters)	Wrench Size
PG7	13	6.7	8	20	13.3	3-6.5	16
PG9	16	8.2	8	22	15.1	4-8	19
PG11	19	10.8	10	23.9	17	5-10	22
PG13,5	21	12.8	9	24.8	19	6-12	24
PG16	23	14.5	9	26.5	19.5	10-14	27
PG21	29	18,8	11	30	23.5	13-18	33
PG29	37	26	11	35	27.4	18-25	42
PG36	47	35.5	13	42.3	30.3	22-32	54
PG42	54	40.5	15	44	31.2	30-38	60
PG48	59	46.5	15	42.7	31.3	34-44	66



Thread	Outer Diameter of Thread	B1	L1	L2	L3	Clamping Range (Cable Diameters)	Wrench Size
M12	12	6.7	8	20	13.3	3-6.5	16
M16K	16	8.2	8	22	15.1	4-8	19
M16	16	10.8	10	23.9	17	5-10	22
M20K	20	12.8	9	24.8	19	6-12	24
M20	20	14.5	9	26.5	19.5	10-14	27
M25	25	18,8	15	30	23.5	13-18	33
M32	32	26	15	35	27.4	18-25	42
M40	40	35.5	18	42.3	30.3	22-32	54
M50	50	40.5	18	44	31.2	30-38	60
M63	63	46.5	18	42.7	31.3	34-44	66







POLYAMIDE CORRUGATED FLEXIBLE TUBES (CONDUITS)

With its high toughness and good bending characteristics, these tubes are the best solution to protect all kinds of cables. They can be used in several industries such as machinery production, factory equipments, automotive, railways, shipyards, lightning, printing, electrical panels, indoor or outdoor purposes. Their main advantages are light weight, long life, non-deformation under high temperature, high mechanical strength, protection from dusts, liquids, etc...

POLYAMIDE CORRUGATED FLEXIBLE TUBES (CONDUITS)

Technical Characteristics

Raw Material: Polyamide 6 (PA6)

Color: RAL 7015 (gray) RAL 9005 (black)

Temperature Range: - 40° + 105° permanent

Temperature Range: + 130° temporary

Mechanical Resistance: Resistant to industrial oils, weak acids, alcohol

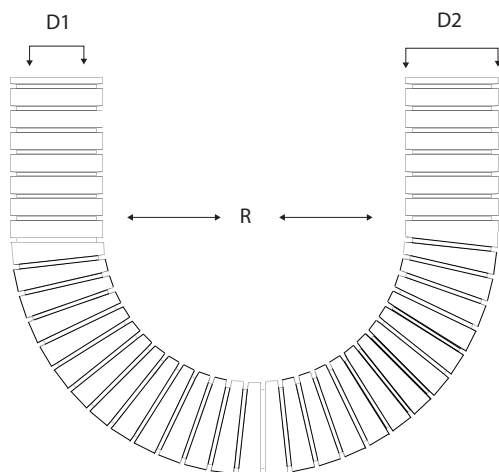
Flame Resistance: Halogen free according to UL94 – HB

PRODUCT CODE		D1	D2	R	M
CPA-07 G	CPA-07 S	Ø 7	Ø 10	15	100
CPA-09 G	CPA-09 S	Ø 10	Ø 13	20	100
CPA-11 G	CPA-11 S	Ø 12	Ø 15.8	30	50
CPA-13.5 G	CPA-13.5 S	Ø 14.2	Ø 18.4	35	50
CPA-16 G	CPA-16 S	Ø 16.5	Ø 21.2	40	50
CPA-21 G	CPA-21 S	Ø 23.5	Ø 28.4	45	50
CPA-26 G	CPA-26 S	Ø 26	Ø 31.5	50	50
CPA-29 G	CPA-29 S	Ø 29	Ø 34.5	55	25
CPA-36 G	CPA-36 S	Ø 36	Ø 42.5	60	25
CPA-42 G	CPA-42 S	Ø 42	Ø 48.5	65	25
CPA-48 G	CPA-48 S	Ø 48	Ø 54.5	70	25

For example: CPA-07S STDR PG7-S

Product Order Sample : CPA - 07G

Product Order Sample : CPA - 07S









CORRUGATED TUBE GLANDS (CONDUIT GLANDS)

Designed especially for the fixing of the Corrugated Flexible Tubes (Conduits) with 100% safety. They can be used in several industries such as machinery production, factory equipments, automotive, railways, shipyards, lightning, printing, electrical panels, indoor or outdoor purposes. Their main advantages are light weight, long life, non-deformation under high temperature, high mechanical strength, protection from dusts, liquids, etc...

These innovative design corrugated tube (conduit) glands can be attached to the tubes without any additional work. No tools are required either for assembling or disassembling.

PA6 Spiral Rekorlari

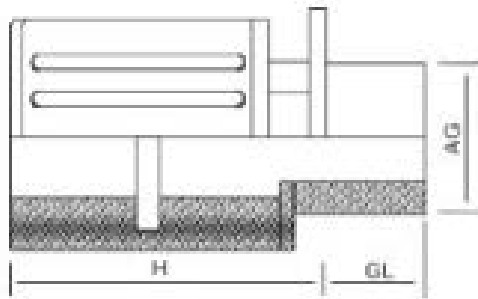


Feature

Description

- Product material: PA (polyamide), the outer fastening ring: polyformaldehyde (POM)
- Specification of thread: Metric/PG/G thread
- Structure: -40°C ~ +110°C
- Color: Black. Other colors are customizable
- How to use: GNE-SM type fast joints are the fittings of the flexible pipes, which can be either connected with the housing of equipments or connected with electric equipment with inner threaded access hole as per the thread selected. Simply insert the flexible pipe into the union.

Specification



Order No.	Suitable Flexible Conduit	PG Dimension Of Thread	AG Outer Diameter	AG Inner Diameter	GL (mm)	H	Packaging Unit Units/Pack
GNE-SM-PG7	AD10.0	PG7	12.3	7.5	10	18	100
GNE-SM-PG8	AD13.0	PG8	15	10	10	19	100
GNE-SM-PG11	AD15.8	PG11	18.4	12.5	10	23	100
GNE-SM-PG13.5	AD18.5	PG13.5	20.2	14.3	12	25	50
GNE-SM-PG16	AD21.2	PG16	22.3	17	13	27	50
GNE-SM-PG21	AD28.5	PG21	28	22	14	33	50
GNE-SM-PG29	AD34.5	PG29	36.7	29	14	35	20
GNE-SM-PG36	AD42.5	PG36	46.7	36	15	38.5	10
GNE-SM-PG48	AD54.5	PG48	59	50	16	39	10

Order No.	Suitable Flexible Conduit	Metric Dimension	AG Outer Diameter	AG Inner Diameter	GL(mm)	H	Packaging Unit Units/Pack
		Of Thread					
GNE-SM-M10-10	AD10.0	M10×1.5	10	7.5	10	18	100
GNE-SM-M12-10	AD10.0	M12×1.5	12	7.5	10	18	100
GNE-SM-M16-10	AD10.0	M16×1.5	16	7.5	10	19	100
GNE-SM-M16-13	AD13.0	M16×1.5	16	10	10	19	100
GNE-SM-M16-15.8	AD15.8	M16×1.5	16	10.5	10	23	100
GNE-SM-M18-15.8	AD15.8	M18×1.5	18	12.5	10	23	100
GNE-SM-M20-18.5	AD18.5	M20×1.5	20	14.3	12.5	25	50
GNE-SM-M20-21.2	AD21.2	M20×1.5	20	17	13	27	50
GNE-SM-M24-21.2	AD21.2	M24×1.5	24	17	13	27	50
GNE-SM-M25-25	AD25.0	M25×1.5	25	19	14	30	50
GNE-SM-M25-28.5	AD28.5	M25×1.5	25	20.5	20	30	50
GNE-SM-M27-28.5	AD28.5	M27×1.5	27	22	14	33	50
GNE-SM-M30-28.5	AD28.5	M30×2.0	30	22	14	33	50
GNE-SM-M32-34.5	AD34.5	M32×1.5	32	26	20	35	20
GNE-SM-M36-34.5	AD34.5	M36×2.0	36	30	14	35	20
GNE-SM-M48-42.5	AD42.5	M48×2.0	48	36	15	38.5	10
GNE-SM-M60-54.5	AD54.5	M60×2.0	60	50	16	39	10

90° curved elbow PG thread connector Curva 90° rosca PG

NBC-PG

90° curved elbow fitting with male PG thread according to DIN 40430 connector for fixing the ends of flexible corrugated conduits to the cable entries on control panels, terminal boxes on electric motors, etc., in accordance with standard EN 60204 (Safety of Machinery). They are notable for their high tensile strength and tightness

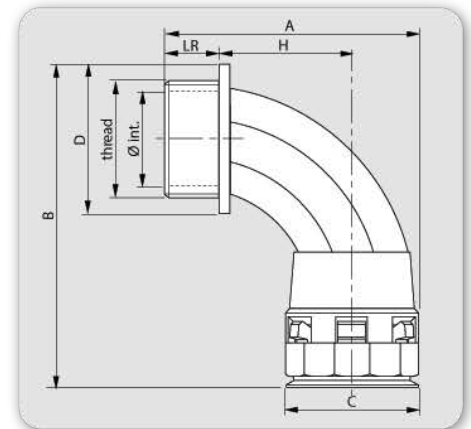
Racores curvados a 90° con rosca macho paso eléctrico PG, según DIN 40430 para la fijación de tubos anillados flexibles a las entradas de cables en cuadros de maniobra, cajas de bornes en motores, etc., conforme a la norma EN 60204 (seguridad de las máquinas). Se distinguen por su gran resistencia a la tracción y alta estanqueidad

- Made of specially modified polyamide (PA6)
- Free of halogen, phosphorus and cadmium
- Self-extinguishing
- Shock-resistant
- Temperature range: -40°C to +105°C (150°C short term)
- IP66 protection. IP68/IP69 with ORJ and PLJ sealings
- “Easy-click”: quick assembly and removal of the conduit without tools
- Colours: dark grey and black

- Fabricados en poliamida especial modificada (PA6)
- Libres de halógenos, fósforo y cadmio
- Autoextinguibles
- Gran resistencia al impacto
- Gama de temperaturas: de -40°C a +105°C (150°C por breve tiempo)
- Protección IP66. IP68/IP69 con juntas ORJ y PLJ
- “Easy-click”: montaje y desmontaje instantáneo del tubo sin útiles
- Colores gris oscuro y negro

reference referencia	ND	Ø int.	A	B	C	D	H	LR	Packing u Embalaje u	
GREY GRIS	BLACK NEGRO									
NBC-17P16G NBC-17P16N	17	Pg 16	14.7	51	72	28	30	25.5	11.5	50
NBC-23P21G NBC-23P21N	23	Pg 21	18.5	65	84	36	36	36.0	11.0	30
NBC-29P29G NBC-29P29N	29	Pg 29	25.5	74	99	43	46	39.5	13.0	10
NBC-36P36G NBC-36P36N	36	Pg 36	32.0	92	120	51	56	53.5	13.0	10
NBC-48P48G NBC-48P48N	48	Pg 48	42.0	102	135	66	69	56.0	13.0	5

Dimensions in mm | Dimensiones en mm
Ask for availability on Pg thread | Rosca Pg consultar



90° elbow flange connector Racor brida 90°

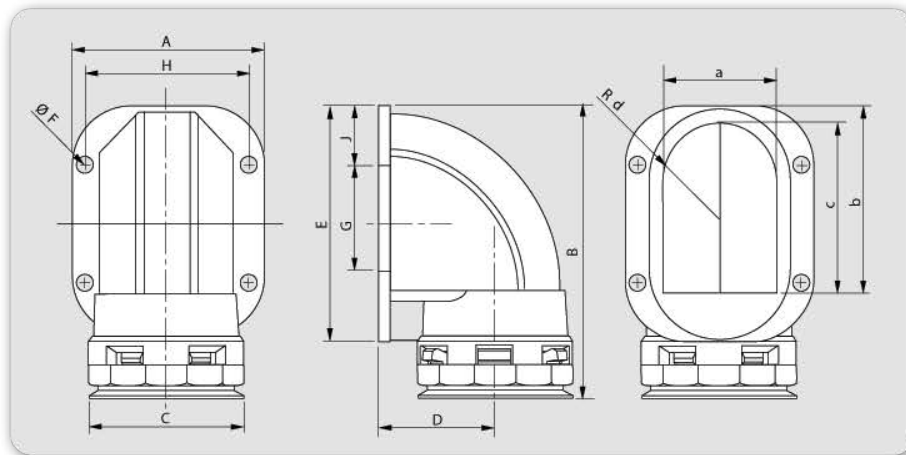
BTC

The elbow flange connectors, thanks to their big internal space and reduced bulk, are specially useful for fixing the ends of flexible corrugated conduits to 90° cable entries in the interior of machines and for installations according to EN 60204 (Safety of Machinery). They are notable for their high tensile strength and tightness

Los racores con brida, por su gran espacio interior y reducido encumbramiento, son especialmente útiles para la fijación de los extremos de tubos anillados en entradas de cables a 90° en el interior de máquinas y para instalaciones de acuerdo con la norma EN 60204 (seguridad de las máquinas). Se distinguen por su gran resistencia a la tracción y alta estanqueidad

- Made of specially modified polyamide (PA6)
- Free of halogen, phosphorus and cadmium
- Self-extinguishing
- Shock-resistant
- Temperature range: -40°C to +105°C (150°C short term)
- IP66 protection. IP68/IP69 with ORJ and BTJ sealings
- “Easy-click”: quick assembly and removal of the conduit without tools
- Colours: dark grey and black

- Fabricados en poliamida especial modificada (PA6)
- Libres de halógenos, fósforo y cadmio
- Autoextinguibles
- Gran resistencia al impacto
- Gama de temperaturas: de -40°C a +105°C (150°C por breve tiempo)
- Protección IP66. IP68/IP69 con juntas ORJ y BTJ
- “Easy-click”: montaje y desmontaje instantáneo del tubo sin útiles
- Colores gris oscuro y negro



reference referencia	a	b	s	d	reference referencia GREY GRIS BLACK NEGRO	ND	A	B	C	D	E	F	G	H	J	Packing u Embalaje u
BTC-17_	17	33	25	8	BTC-17G BTC-17N	17	44	68	29	24	48	5.5	-	34	18	50
BTC-23_	24	42	37	12	BTC-23G BTC-23N	23	53	82	37	26	57	5.5	-	43	21	30
BTC-29_	30	49	45	15	BTC-29G BTC-29N	29	60	89	45	32	66	6.5	24	48	21	10
BTC-36_	37	60	54	18	BTC-36G BTC-36N	36	70	104	53	38	76	6.5	30	57	23	10
BTC-48_	48	55	61	24	BTC-48G BTC-48N	48	80	118	67	46	82	6.5	55	68	13	5

Dimensions in mm | Dimensiones en mm

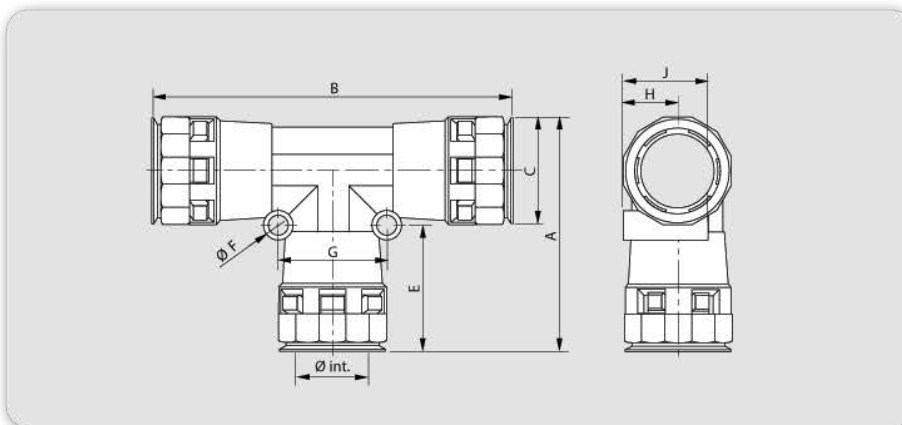


“T” distributor connectors are specially indicated to join three conduits of same nominal diameter when small bending radiuses have to be avoided. In accordance with Standard EN 60204 (Safety of Machinery). They are notable for their high tensile strength and tightness

Los racores distribuidores en forma de “Y” son especialmente indicados para las desviaciones en las instalaciones de las máquinas sin tener que forzar los radios de curvatura de los tubos anillados en las instalaciones de acuerdo con la norma EN 60204 (seguridad de las máquinas). Se distinguen por su gran resistencia a la tracción y alta estanqueidad

- Made of specially modified polyamide (PA6)
- Free of halogen, phosphorus and cadmium
- Self-extinguishing
- Shock-resistant
- Temperature range: -40°C to +105°C (150°C short term)
- IP66 protection. IP68/IP69 with ORJ o-rings
- “Easy-click”: quick assembly and removal of the conduit without tools
- Colours: dark grey and black

- Fabricados en poliamida especial modificada (PA6)
- Libres de halógenos, fósforo y cadmio
- Autoextinguibles
- Gran resistencia al impacto
- Gama de temperaturas: de -40°C a +105°C (150°C por breve tiempo)
- Protección IP66. IP68/IP69 con juntas ORJ
- “Easy-click”: montaje y desmontaje instantáneo del tubo sin útiles
- Colores gris oscuro y negro



reference referencia	reference referencia	ND	Ø int.	A	B	C	E	F	G	H	J	Packing u Embalaje u
GREY GRIS	BLACK NEGRO											
TSD-101010G	TSD-101010N	10	11.2	46	72	20	27	5	19	10	18	20
TSD-121212G	TSD-121212N	12	12.8	52	81	23	30	5	20	12	20	20
TSD-171717G	TSD-171717N	17	18.0	63	96	29	35	6	28	14	25	20
TSD-232323G	TSD-232323N	23	25.5	76	117	37	40	6	36	18	30	10
TSD-292929G	TSD-292929N	29	31.5	85	128	45	41	6	41	22	36	5
TSD-363636G	TSD-363636N	36	38.5	97	144	53	46	7	50	26	44	5

Dimensions in mm | Dimensiones en mm



“Y” distributor Distribuidor “Y”

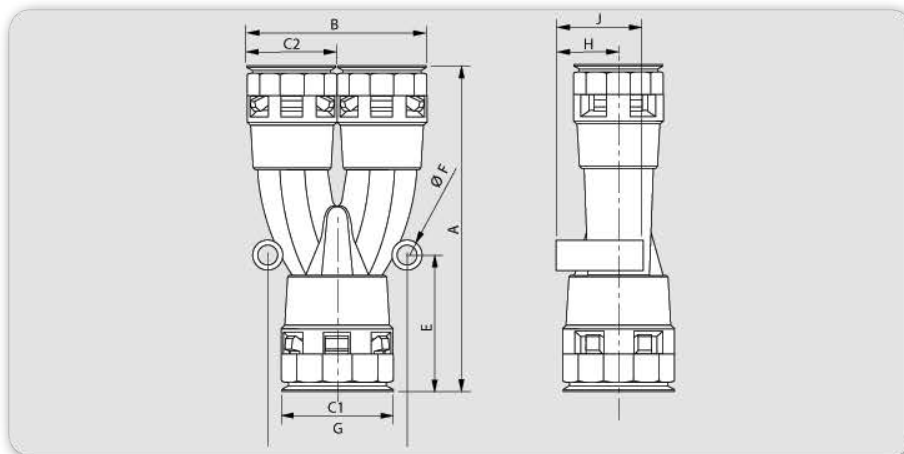
YKD

“Y” distributor connectors are specially indicated to join three conduits of different nominal diameter when small bending radii have to be avoided. In accordance with Standard EN 60204 (Safety of Machinery). They are notable for their high tensile strength and tightness

Los racores distribuidores en forma de “Y” son especialmente indicados para las desviaciones en las instalaciones de las máquinas sin tener que forzar los radios de curvatura de los tubos anillados en las instalaciones de acuerdo con la norma EN 60204 (seguridad de las máquinas). Se distinguen por su gran resistencia a la tracción y alta estanqueidad

- Made of specially modified polyamide (PA6)
- Free of halogen, phosphorus and cadmium
- Self-extinguishing
- Shock-resistant
- Temperature range: -40°C to +105°C (150°C short term)
- IP66 protection. IP68/IP69 with ORJ o-rings
- “Easy-click”: quick assembly and removal of the conduit without tools
- Colours: dark grey and black

- Fabricados en poliamida especial modificada (PA6)
- Libres de halógenos, fósforo y cadmio
- Autoextinguibles
- Gran resistencia al impacto
- Gama de temperaturas: de -40°C a +105°C (150°C por breve tiempo)
- Protección IP66. IP68/IP69 con juntas ORJ
- “Easy-click”: montaje y desmontaje instantáneo del tubo sin útiles
- Colores gris oscuro y negro



reference referencia	ND	A	B	C1	C2	E	F	G	H	J	Packing u Embalaje u
GREY GRIS BLACK NEGRO											
YKD-171212G YKD-171212N	17+2x12	90	48	30	24	38	5	34	16	24	20
YKD-231717G YKD-231717N	23+2x17	108	59	38	30	45	6	45	19	28	20
YKD-292323G YKD-292323N	29+2x23	119	74	46	38	46	6	51	23	35	10
YKD-362929G YKD-362929N	36+2x29	142	89	54	46	54	6	59	27	41	5
YKD-483636G YKD-483636N	48+2x36	155	106	69	54	56	7	76	34	50	5

Dimensions in mm | Dimensiones en mm



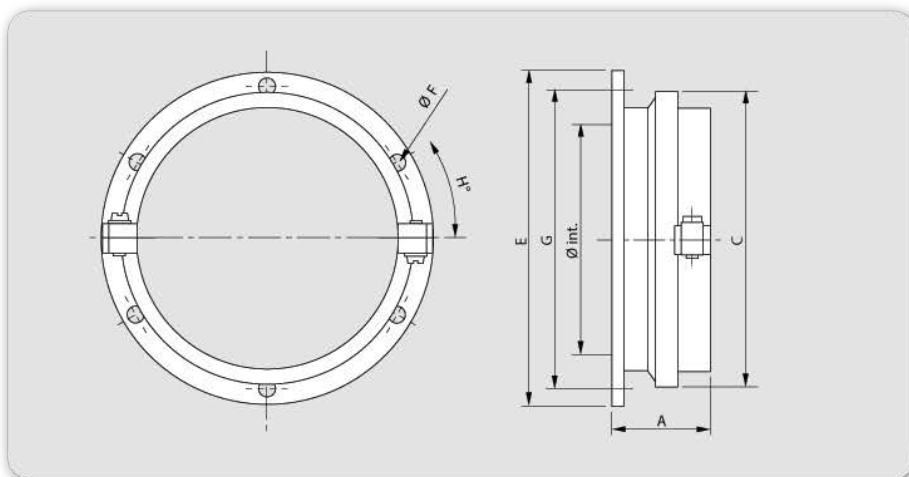
TITAN Straight connector Racor TITÁN recto

TITAN GTR connectors are used to connect ND70 and ND95 conduits to the wall or floor. With the optional sealing O-rings, an IP68 (static) can be obtained. To be used when connecting conduits with a great number of cables in the interior of machinery and general installations according to EN 60204 (Safety of Machinery)

- Made of specially modified polyamide (PA6)
- Free of halogen, phosphorus and cadmium
- Self-extinguishing
- Shock-resistant
- Temperature range: -40°C to +105°C (150°C short term)
- IP66 protection. IP68 with ORJ and TTJ sealings
- Colours: dark grey and black

Los racores TITAN GTR se utilizan para conectar los tubos DN70 y DN95 a paredes o suelos. Con las juntas tóricas opcionales se puede obtener una estanqueidad IP68 (estática). Indicados para conectar tubos con un gran número de cables en el interior de maquinaria e instalaciones industriales en general de acuerdo con la norma EN 60204 (seguridad de las máquinas)

- Fabricados en poliamida especial modificada (PA6)
- Libres de halógenos, fósforo y cadmio
- Autoextinguibles
- Gran resistencia al impacto
- Gama de temperaturas: de -40°C a +105°C (150°C por breve tiempo)
- Protección IP66. IP68 con juntas ORJ y TTJ.
- Colores gris oscuro y negro.



reference referencia	reference referencia	ND	Ø int.	A	C	E	F	G	H	Packing u Embalaje u
GTR-70G	GTR-70N	70	71.0	43	101	119	6.5	105	30°	5
GTR-95G	GTR-95N	95	98.0	43	130	146	6.5	132	30°	5

Dimensions in mm | Dimensiones en mm



TITAN 90° elbow connector Racor TITAN 90°

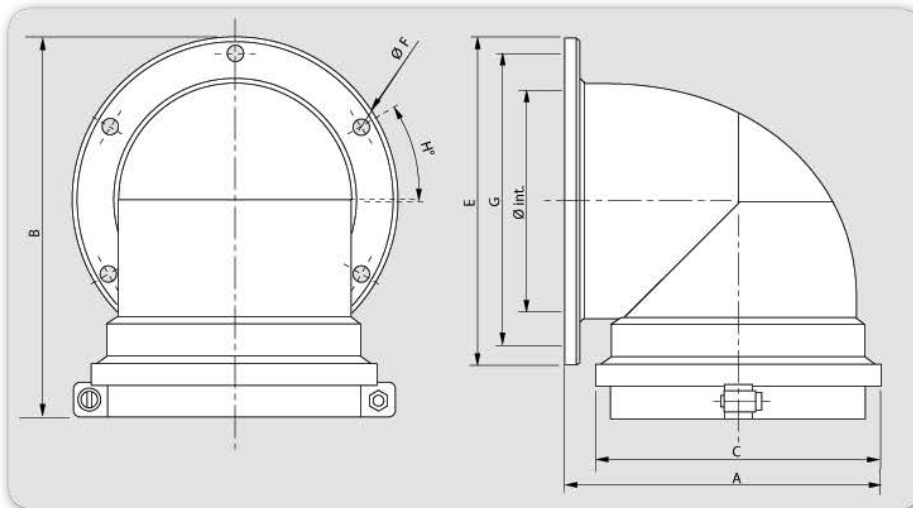
GTC

TITAN GTC connectors are used to connect ND70 and ND95 conduits with a 90° angle to the wall or floor. With the optional sealing O-rings, an IP68 (static) can be obtained. To be used when connecting conduits with a great number of cables in the interior of machinery and general installations according to EN 60204 (Safety of Machinery)

Los racores TITAN GTC se utilizan para conectar los tubos DN70 y DN95 con un ángulo de 90° a paredes o suelos. Con las juntas tóricas opcionales se puede obtener una estanqueidad IP68 (estática). Indicados para conectar tubos con un gran número de cables en el interior de maquinaria e instalaciones industriales en general de acuerdo con la norma EN 60204 (seguridad de las máquinas)

- Made of specially modified polyamide (PA6)
- Free of halogen, phosphorus and cadmium
- Self-extinguishing
- Shock-resistant
- Temperature range: -40°C to +105°C (150°C short term)
- IP66 protection. IP68 with ORJ and TTJ sealings
- Colours: dark grey and black

- Fabricados en poliamida especial modificada (PA6)
- Libres de halógenos, fósforo y cadmio
- Autoextinguibles
- Gran resistencia al impacto
- Gama de temperaturas: de -40°C a +105°C (150°C por breve tiempo)
- Protección IP66. IP68 con juntas ORJ y TTJ
- Colores gris oscuro y negro



reference referencia												Packing u Embalaje u
GREY GRIS	BLACK NEGRO	ND	Ø int.	A	B	C	E	F	G	H		
GTC-70G	GTC-70N	70	71.0	111	143	101	120	6.5	105	30°		5
GTC-95G	GTC-95N	95	99.0	146	171	128	146	6.5	132	30°		5

Dimensions in mm | Dimensiones en mm



Supports with integrated lid for securing sections of corrugated conduits between the various parts of the electrical installation. With conduit entry guide. Specially indicated for demanding securing situations, e.g. on ceilings

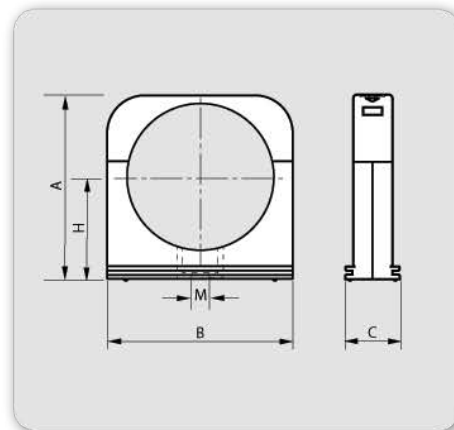
- Made of specially modified polyamide (PA6)
- Free of halogen, phosphorus and cadmium
- Self-extinguishing
- Shock-resistant
- With integrated lid
- Temperature range: -40°C to +105°C (150°C short term)
- Colours: dark grey and black
- For side by side installation, use RWL.. profile

Soportes con tapa integrada para fijar tramos de tubo corrugado entre distintas partes de la instalación eléctrica. Con guía de entrada para el tubo. Especialmente indicados para condiciones de fijación exigentes, como por ejemplo en techos

- Fabricados en poliamida especial modificada (PA6)
- Libres de halógenos, fósforo y cadmio
- Autoextinguibles
- Gran resistencia al impacto
- Con tapa integrada
- Gama de temperaturas: de -40°C a +105°C (150°C por breve tiempo)
- Colores gris oscuro y negro
- Para su instalación en paralelo, utilizar el carril RWL..

reference referencia		ND	A	B	C	H	Metric Métrica	Packing u Embalaje u
GREY GRIS	BLACK NEGRO							
SWL-07G	SWL-07N	7	22	17	20	13	M4	100
SWL-10G	SWL-10N	10	25	22	20	13	M5	100
SWL-12G	SWL-12N	12	27	25	20	15	M5	100
SWL-17G	SWL-17N	17	33	31	20	19	M5	100
SWL-23G	SWL-23N	23	42	40	20	23	M6	50
SWL-29G	SWL-29N	29	47	46	20	26	M6	30
SWL-36G	SWL-36N	36	56	56	20	31	M6	20
SWL-48G	SWL-48N	48	70	70	20	39	M6	10

Dimensions in mm | Dimensiones en mm

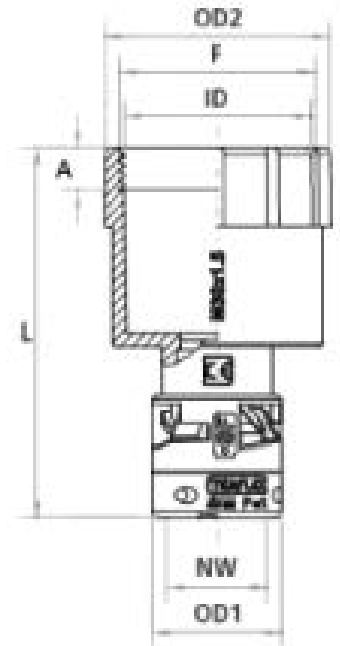




Feature

Description

- Transparan dışı bağlantı Elektronik Sensörler için İnce Metrik Dışı adaptör, elektronik sensörler , gövdesinin şeffaflığına bağlı olarak sökme işlemine gerek kalmadan istediğiniz zaman sensör çalışıp çalışmadığını görebilirsiniz,



M08x1	7	10	7	8	34	17	14
M12x1	7	10	11	6,5	52	17	17
M16x1	7	10	17	6,5	59	17	23
M30X1,5	7	10	28,5	6,5	55,5	17	35
M12x1	10	12	11	6,5	53,4	20	17
M16x1	10	12	17	6,5	60,4	20	23
M30X1,5	10	12	28,5	6,5	56,9	20	35
F Fine Metric Thread	Conduit Code NW	Fits to metric Conduit	ID inside ⌀ Thread mm	A mm	L mm	OD1 mm	OD2 mm

