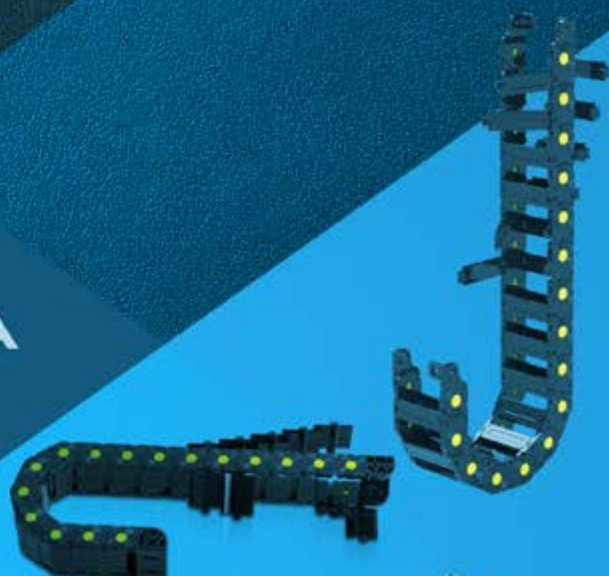




GAMMA
2018



KAREL
T E C H N I K

Innovation
Creates
Future

www.kareltechnik.com



Karel Teknik Hidrolik Pnömatik Makina Sanayi Hidrolik ve Pnömatik sistemler alanında satış, tasarım, mühendislik ve pazarlama konularında faaliyet göstermek üzere kurulmuştur.

İmalat ve servis hizmetlerimizin yanı sıra, ürün olarak da ihtiyaçlarınızın ivedilikle karşılanabilmesi için satış bünyemize kattığımız yeni ürünlerle hizmet anlayışımızı ve kalitemizi daha yükseklere taşımayı hedeflemekteyiz.

DNC Series ISO6431 Standard Cylinder



DNC 50 x 100



MDNC 50 x 100



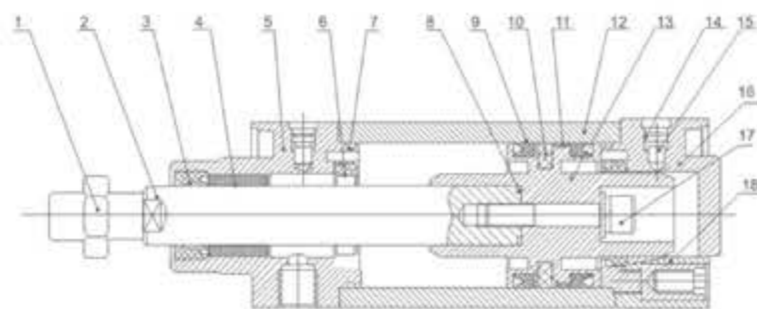
TDNC 50 x 100

Ordering Code

□ **DNC** **50** × **100** — **25** — **S** — □

Tube Type Blank: Square Type T: Tie-rod Type M: Mickey Mouse Type	Series Code DNC: ISO6431 Standard Double Action Type DNCD: ISO6431 Standard Two Axis Double Action Type DNCJ: ISO6431 Two Axis Stroke Adjust Type	Cylinder Bore 32mm-125mm	Stroke 25-25mm 50-50mm 75-75mm	Magnet Code Blank: Without Magnet S: With Magnet	Fixed Type Blank: Normal type LB: Front and back fixed type FA: Front cover fixed type (Front flange type) FB: Back cover fixed type (Back flange type) CA: Back cover fixed type (Single earring) CB: Back cover fixed type (Double earring) SDB: Back cover fixed type
---	--	------------------------------------	--	---	--

Internal structure



NO	Designation	NO	Designation
1	Piston Rod Nut	2	Piston Rod
3	Front Cover Seal Ring	4	Bearing
5	Front Cover	6	Buffering O-Ring
7	O-Ring	8	Piston rod O-Ring
9	Piston O-Ring	10	Magnet (Optional)
11	Wear Ring	12	Barrel
13	Piston	14	Cushion Seal
15	Cushion Needle	16	Back Cover
17	Hex Socket Screw	18	Profile Bolt

Specification

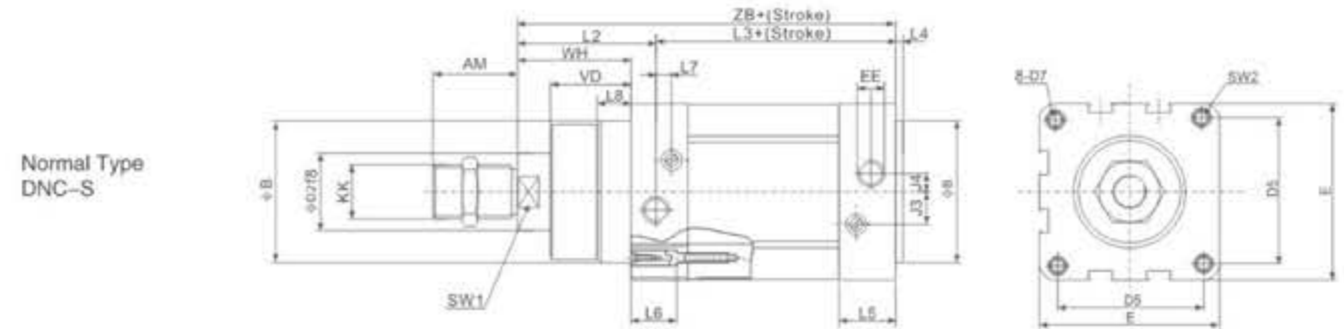
Bore(mm)	32	40	50	63	80	100	125
Motion Pattern	Double Action						
Working Medium	Filtered Air						
Compression Pressure	1.5MPa						
Max. Operating Pressure	1.0MPa						
Min. Operating Pressure	0.1MPa						
Buffer	Air Buffer (Standard)						
Condition Temperature	-5-70°C						
Operating Speed	50-800mm/s						
Port Size	G1/8"	G1/4"	G3/8"	G1/2"			

Stroke

Bore	Standard Stroke	Buffer Stroke	Stroke Range
32			
40		20	
50	25 40 50 80		10-2000
63	100 125 160	22	
80	200 250 320	32	
100	400 500	35	
125			

DNC Series ISO6431 Standard Cylinder

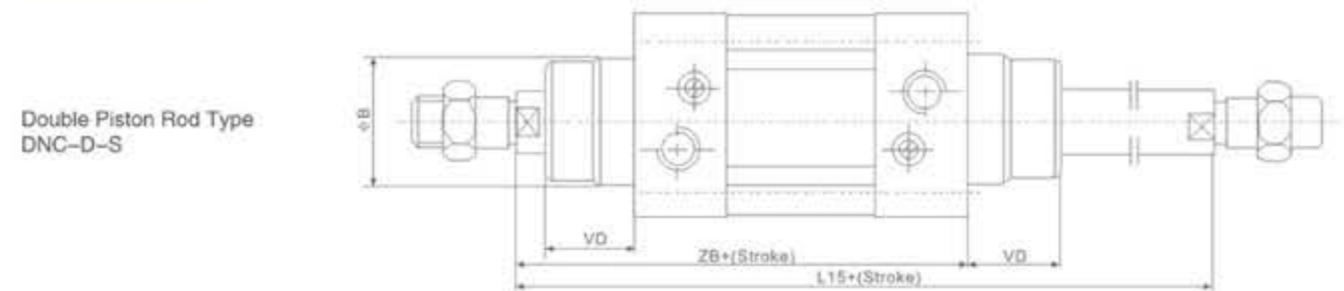
Overall Dimensions



Dimension Sheet

Bore	AM	B	D2	D5	D7	E	EE(G)	J3	J4	KK	L2	L3	L4	L5	L6	L7	L8	SW1	SW2	VD	WH	ZB
32	22	30	12	32.5	M6	45	1/8	6	5.2	M10×1.25	40	80	4	26	22	3.3	8	10	6	16	26	120
40	24	35	16	38	M6	54	1/4	8	6	M12×1.25	46	89	4	29.6	22	3.6	10	13	6	20	30	135
50	32	40	20	46.5	M8	64	1/4	10	8.5	M16×1.5	54	90	4	30	22	5.1	10	17	8	27	37	144
63	32	45	20	56.5	M8	75	3/8	12.4	10	M16×1.5	57	101	4	35.5	22	6.6	10	17	8	27	37	158
80	40	45	25	72	M10	93	3/8	12.5	8	M20×1.5	65	109	4	36	25	10.5	10	22	10	34.5	46	174
100	40	55	25	89	M10	110	1/2	11.8	10	M20×1.5	71	118	4	39	25	8	12.5	22	10	38	51	189
125	54	60	32	110	M12	134	1/2	13	8	M27×2	95	128	6	44.7	30	14	12.5	28	12	46	65	223

Overall Dimensions



Dimension Sheet

Bore	32	40	50	63	80	100	125
B	30	35	40	45	45	55	60
L15	146	165	182	194	220	240	298
VD	16	20	27	27	34.7	38.2	46
ZB	120	135	144	158	174	189	223

DNCB Series Booster Cylinder



DNCB-50 x 25 x 50

Specification

Motion Pattern	Filtered Air
Compression Pressure	1.5MPa
Max. Operating Pressure	1.0MPa
Min. Operating Pressure	0.1MPa
Condition Temperature	-5-70°C

Product instruction

Booster cylinder combine 2 or more ISO15552 standard cylinder with the same bore and stroke. Create twice or multiple force as standard cylinder. The connection of 2 or more cylinders are linked with the same material Compact structure and easy for installation.

DNC Series ISO15552 Standard Cylinder



DNG 200 x 100-S



DNG 250 x 200-S

Ordering Code

DNG × **160** × **100** - **25** - **S** - □

Series Code
DNG:ISO15552 Standard Double Action Type
DNGD:ISO15552 Standard Two Axis Double Action Type
DNGJ:ISO15552 Two Axis Stroke Adjust Type

Cylinder Bore
160mm-320mm

Stroke
25:25mm
50:50mm
75:75mm

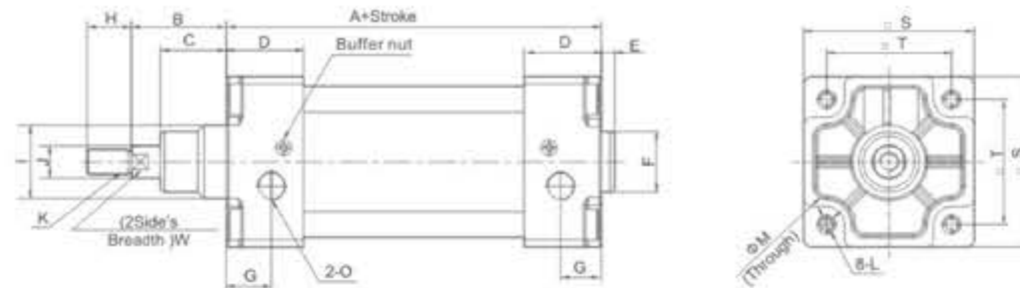
Magnet Code
Blank:Without Magnet
S:With Magnet

Fixed Type
Blank:Normal type
LB:Front and back fixed type
FA:Front cover fixed type(Front flange type)
FB:Back cover fixed type(Back flange type)
CA:Back cover fixed type (Single earring)
CB:Back cover fixed type(Double earring)

Specification

Bore(mm)	160	200	250	320
Motion Pattern	Double Action			
Working Medium	Air			
Fixed Type	Normal type FA type FB type CA type CB type LB type TC type			
Working Pressure Range	0.1~1.0MPa			
Ensured Pressure Resistance	1.5MPa			
Operating Temperature Range	-5~60℃			
Operating Speed Range	50~500mm/s			
Buffer Type	Adjustable Buffer			
Port Size	G3/4"		G1"	
Lubrication	Not required (Use Turbine oil/ISO Vg32 when necessary)			

Overall Dimensions



Dimension Sheet

Bore/Symbol	A	B	C	D	E	F	G	H	I	J	K	L	M	S	T	O
160	180	80	60	50	6	φ65	25	72	φ65	40	M36 x 2	M16	φ25 φ30	180	140	G3/4"
200	180	95	70	50	6	φ75	25	72	φ75	40	M36 x 2	M16	φ25 φ30	220	175	G3/4"
250	200	105	67	52	10	90	31	84	90	50	M42 x 2	M20	φ30	270	220	G1"
320	218	120	82	52	10	110	31	96	110	63	M48 x 2	M24	φ34	340	270	G1"

SI Series ISO6431 Standard Cylinder



SI 50 x 100



SIJ 50 x 100-25

Ordering Code

SI × **50** × **50** - **25** - **S** - □

Series Code
SI:ISO6431 Standard Double Action Type
SID:ISO6431 Standard Two Axis Double Action Type
SIJ:ISO6431 Two Axis Stroke Adjust Type

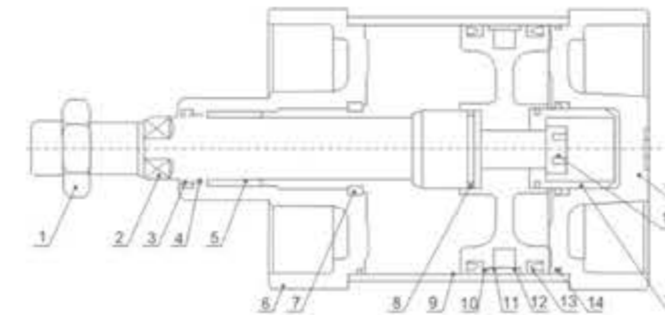
Cylinder Bore
32mm-200mm

Stroke
25:25mm
50:50mm
75:75mm

Magnet Code
Blank:Without Magnet
S:With Magnet

Fixed Type
Blank:Normal type
LB:Front and back fixed type
FA:Front cover fixed type(Front Flange Type)
FB:Back cover fixed type(Back Flange Type)
CA:Back cover fixed type (Single Earring)
CB:Back cover fixed type(Double Earring)
TC:Central trunnion type
TC-M:Central trunnion type attaching foot seat

Internal structure



NO	Designation	NO	Designation
1	Piston Rod Nut	10	Piston
2	Piston rod	11	Wearing
3	Front cover seal ring	12	Magnet(Optional)
4	O-Ring	13	Piston O-Ring
5	Bearing	14	Pipe wall O-Ring
6	Front cover	15	Damping
7	Buffering O-Ring	16	Hex socket screw
8	Piston rod O-Ring	17	Back cover
9	Barrel		

Specification

Bore(mm)	32	40	50	63	80	100	125	160	200	
Motion Pattern	Double Action									
Working Medium	Air									
Fixed Type	Normal type FA type FB type CA type CB type LB type TC type									
Working Pressure Range	0.1~0.9MPa									
Ensured Pressure Resistance	1.35MPa									
Operating Temperature Range	-5~70℃									
Operating Speed Range	50~800mm/s									
Buffer Type	Adjustable Buffer									
Buffer Stroke							24			32
Port Size	G1/8"	G1/4"		G3/8"		G1/2"		G3/4"		

MA6432 Series Stainless Steel Mini Cylinder(ISO6432)



MA6432 10 x 50



MA6432 25 x 50

Ordering Code

MA6432

Series Code

MA:Double Action Type
MSA:Single-Extrusion Type
MTA:Single Drawing-in Type
MAD:Double-shaft Double Action Type
MACD:Double-shaft Double Action Damping Type
MAJ:Double-shaft and adjustable stroke type
MAC With Cushion Type

Back Cover Type

Blank:Fishtail Type
CM:Rounded Type
U:Horizontal Type

20 x 50

Cylinder Bore

8mm-25mm

Stroke

Adjustable Stroke Type

0-100mm

25

Magnet Code

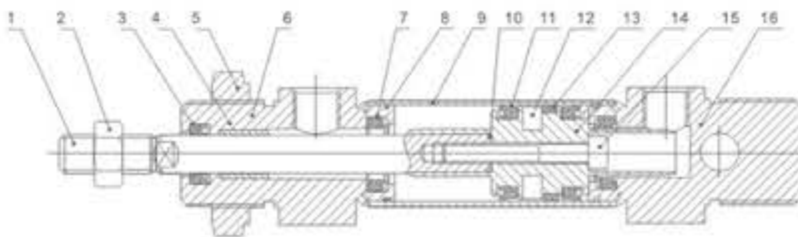
Blank:Without Magnet
S:With Magnet

S

Fixed Type

Blank:Normal type
LB:Front and back fixed type
FA:Front cover fixed type
SDB:Back cover swinging type
U:Back cover fixed type

Internal structure



NO	Designation	NO	Designation
1	Piston Rod	9	Barrel
2	Piston Rod Nut	10	Piston rod O-ring
3	Front Cover Seal	11	Piston O-ring
4	Bearing	12	Magnet(Optional)
5	Hexagon Screw	13	Wear Ring
6	Front Cover	14	Piston
7	Cushion Ring	15	Hex Socket Screw
8	O-ring	16	Back Cover

Specification

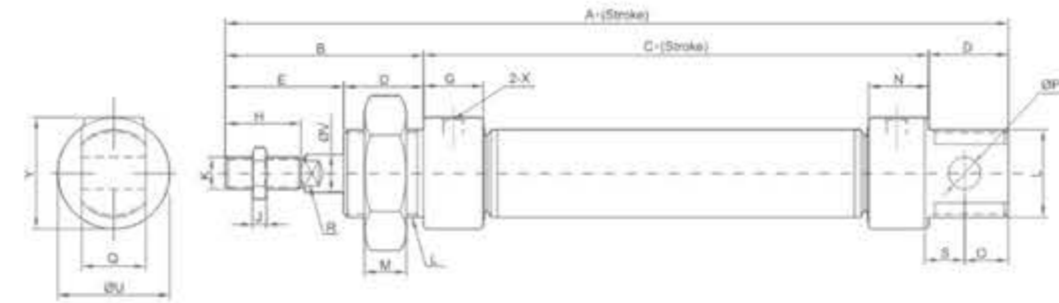
Cylinder diameter	8	10	12	16	20	25
Fluid	Air					
Motion pattern	Double Action or single Action					
Ensured Pressure Resistance	15.3kgf/cm ² (1.5Mpa)					
Max.pressure	10.2kgf/cm ² (1.0Mpa)					
Min.pressure	0.5kgf/cm ² (0.05Mpa) 1kgf/cm ² (0.1Mpa)					
Environment and fluid temp	-10~+80℃ (Internal Magnetic Install by Tach strap-Type Max.60℃)					
Piston velocity	Rubber Buffer(Standard),Air Buffer(Optional)					
Buffering	50~750mm/s					
Kinetic energy Tolerance(kgf/cm)	0.2	0.3	0.4	0.9	2.7	4
Port Size	M5×0.8					G1/8"

Stroke

Bore(mm)	Standard stroke	Max.Stroke(mm)
8	10,25,40,50,80,100,125,160,200	400
10	10,25,40,50,80,100,125,160,200	400
12	10,25,40,50,80,100,125,160,200	400
16	10,25,40,50,80,100,125,160,200	400
20	25,40,50,80,100,125,150,160,175,200,250,300	1000
25	25,40,50,80,100,125,150,160,175,200,250,300	1000

MA6432 Series Stainless Steel Mini Cylinder(ISO 6432)

Overall Dimensions



Dimension Sheet

Bore/Symbol	A	B	C	D	E	G	H	M	J	O	K	N	P	S	R	U	V	Q	Y	L	X
8	86	28	46	12	16	9	12	7	3	10	M4×0.7	9	4	6	-	15	4	8	15	M12×1.25	M5
10	86	27	47	12	15	9	12	7	3	10	M4×0.7	9	4	6	-	15	4	8	15	M12×1.25	M5
12	105	37	51	17	20	9	16	6	4.5	14	M6×1	9	6	9	5	20	6	12	20	M16×1.5	M5
16	111	38	56	17	21	12.5	16	6	4.5	13	M6×1	10.5	6	9	5	20	6	12	20	M16×1.5	M5
20	128	45	63	20	25	15	20	8	6	11	M8×1.25	15	8	12	6	27	8	16	27	M22×1.5	G1/8"
25	137	50	65	22	28	15	22	8	6	11	M10×1.25	15	8	12	8	27	10	16	27	M22×1.5	G1/8"

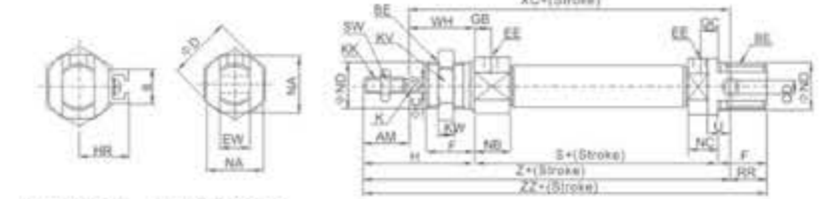
MA6432-N Series Stainless Steel Mini Cylinder (ISO 6432)



MA6432-N25 x 150

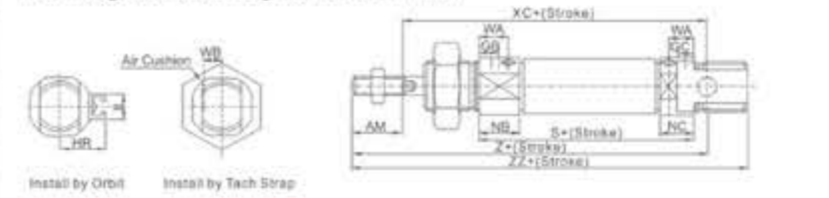
Overall Dimensions

Non Magnet Inside Magnet Rubber Buffer



Install by Orbit Install by Tach Strap

Non Magnet Inside Magnet Rubber Buffer



Install by Orbit Install by Tach Strap


Dimension Sheet

Bore	AM	BE	φC	φCD	φD	EE	EW	F
φ8	12	M12×1.25	4	4	17	M5×0.8	8	12
φ10	12	M16×1.25	4	4	17	M5×0.8	8	12
φ12	16	M16×1.5	6	6	20	M5×0.8	12	17
φ16	16	M16×1.5	6	6	20	M5×0.8	12	17
φ20	20	M22×1.5	8	8	28	G1/8"	16	20
φ25	22	M22×1.5	10	8	33.5	G1/8"	16	22

Bore	GB	GC	WA	WB	H	HR	K	KK	KV	KW	NB	NC	NA	φND	RR	S	SW	U	WH	XC	Z	ZZ
φ8	7	5	-	-	28	10	-	M4×0.7	19	6	11.5	9.5	15	12	10	46	7	6	16	64	76	86
φ10	7(5.5)	7(5.5)	10.5	4.5	28	10.5	-	M4×0.7	19	6	11.5(13.5)	9.5(13.5)	15	12	10	46(53)	7	6	16	64(71)	76(83)	86(93)
φ12	8(5.5)	6(5.5)	9.5	5.5	38	14	5	M6×4	24	8	12.5(12.5)	10.5(12.5)	18	16	14	50(54)	10	9	22	75(79)	91(95)	105(109)
φ16	8(5.5)	6(5.5)	9.5	5.5	38	14	5	M6×0.8	24	8	12.5	10.5(12.5)	18	16	13	56	10	9	22	82	98	111
φ20	8	8	17	8.5	44	17	6	M8×1.25	32	11	15	15	24	22	11	62	13	12	24	95	95	126
φ25	8	8	20	10	50	20	8	M10×1.25	32	11	15	15	30	22	11	65	17	12	28	104	126	137

Our company can also provide SMC Type ISO6432 standard stainless steel mini cylinder, if you need this, pls add -N after normal ordering code.

ADVU Series Compact Cylinder(ISO6431)



Ordering Code

ADVU — **50** × **80** — **S** — **B**

Series Code
ADVU: Double Action Type
AEVUZ: Single-Action type
ADVUD: Double-shaft Double Action Type

Cylinder Bore
16mm-100mm

Stroke
Normal Type:
16-25: 1-200mm
32-63: 1-300mm
80-100: 1-400mm
Single Action:
16-100: 1-25mm

Magnet Code
Blank: Without Magnet
S: With Magnet

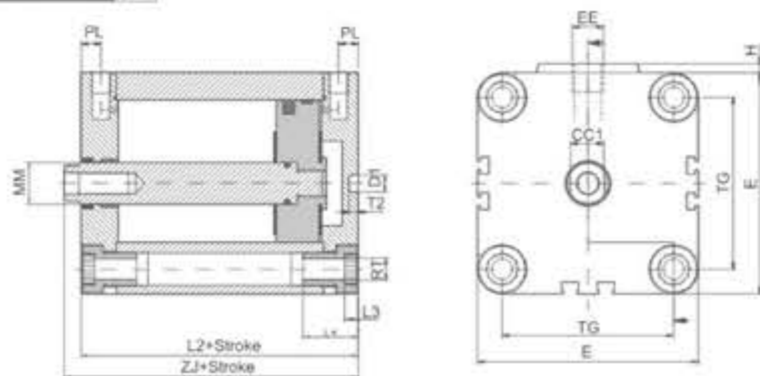
Cog Type
Blank: Inner Thread
B: Outer Thread

ADVU 40 x 50-S

Specification

Bore(mm)	16	20	25	32	40	50	63	80	100
Action	Double Acting, single rod/double rod								
Working Medium	Air								
Ensured Pressure Resistance	1.5MPa								
Operating pressure range	ADVU - P-A	0.12-1.0MPa	0.1-1.0MPa	0.08-1.0MPa	0.06-1.0MPa				
	ADVU - P-A-S2	0.13-1.0MPa	0.12-1.0MPa	0.1-1.0MPa	0.8-1.0MPa				
Ambient and fluid temperature	-20-60 (No freezing)								
Port size	M5			G1/8"			G1/4"		
Piston rod thread	Female thread	M4	M5	M6	M8	M10	M12		
	Male thread	M8	M10×1.25	M12×1.25	M16×1.5	M20×1.5			
Cushion	Rubber bumper								

Overall Dimensions



ADVU□-□-P-A /Series

Note
To attach cylinder, 12 and 16mm from above, use only 2 screws diagonally or non-magnetic screws.
+± plus stroke length
2 Minimum screw-in depth

Dimension Sheet

Bore size(mm)	D1	E	EE	H	L2	L3	L4	MM	PL	RT	T2	TG	ZJ	CC1
16	6	29	M5	1	38	4	18.5	8	8	M4	4	18	44	6
20	6	36	M5	1.5	38	4	18.5	10	8	M5	4	22	43.5	8
25	6	40	M5	1.5	39.5	4	18.5	10	8	M5	4	26	46	8
32	6	50	G1/8	2	44.5	5	22	12	8	M6	4	32	51.5	10
40	6	60	G1/8	2.5	45.5	5	22	12	8	M6	4	42	52	10
50	6	68	G1/8	2.8	46.5	5	22	16	8	M8	4	50	54.5	14
63	8	88	G1/8	4	50	6	26	16	8	M10	4	62	56	14
80	8	107	G1/8	4	56	6	26	20	8.5	M10	4	82	62	17
100	8	128	G1/4	5	66.5	8	26	20	10.5	M10	4	103	76.5	22

Note: ADVU Series Cylinder With 100mm Bore Is Being Developed, Not Available At The Moment.

SDA Series Thin Type(Compact) Cylinder



SDA 32 x 25



SDAJ 32 x 25-10

Ordering Code

SDA — **20** × **30** — **5** — **S** — **B**

Series Code
SDA: Double Action Type
SSA: Single Action Extrusion Type
STA: Single Action Drawing-in Type
SDAD: Double-shaft Double Action Type
SDAJ: Double-shaft and Adjustable Stroke Type

Cylinder Bore
12mm-100mm

Stroke

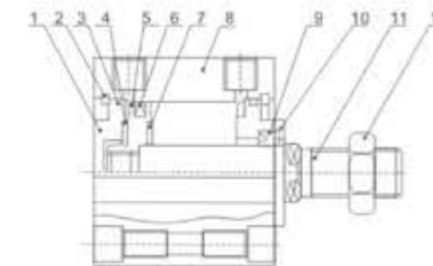
Adjust Stroke
5mm
15mm
25mm

Magnet Code
Blank: Without Magnet
S: With Magnet

Cog Type
Blank: Inner Thread
B: Outer Thread
N: No Thread

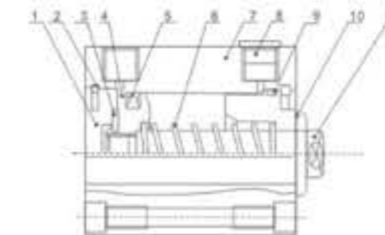
Internal structure

SDA Type



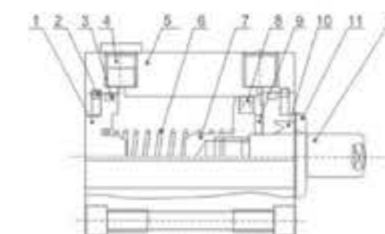
NO	Designation	NO	Designation
1	Back cover	2	Type C buckle ring
3	O-ring	4	Anti-crash cushion
5	Piston	6	Piston O-ring
7	Anti-crash cushion	8	Barrel
9	Front cover seal ring	10	Front cover
11	Piston rod	12	Piston Rod Nut

SSA Type



NO	Designation	NO	Designation
1	Back cover	2	Type C buckle ring
3	Anti-crash cushion	4	Piston
5	Piston O-ring	6	Compressed spring
7	Barrel	8	Silencer
9	Cover O-ring	10	Front cover
11	Piston rod		

STA Type



NO	Designation	NO	Designation
1	Back cover	2	Type C buckle ring
3	Cover O-ring	4	Silencer
5	Barrel	6	Compressed spring
7	Piston	8	Piston O-ring
9	Anti-crash cushion	10	Front cover sealing
11	Front cover	12	Piston rod

TN Series Double-Shaft Cylinder

Ordering Code



TN 20 x 25

TN Series Code
Double-Shaft
Double Action Type

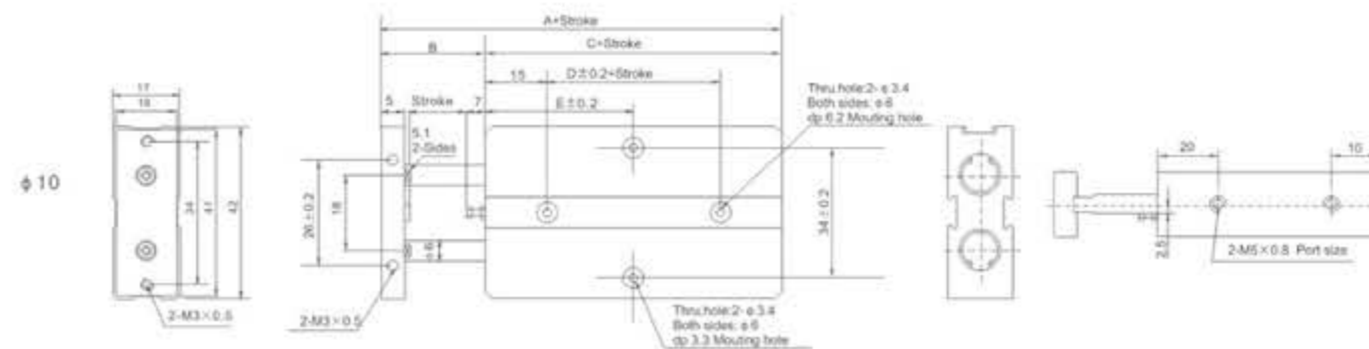
20 × **50** Cylinder Bore
10mm
16mm
20mm
25mm
32mm

S Stroke
Magnet Code
Blank: Without Magnet
S: Attach Magnet

Specification

Bore (mm)	10	16	20	25	32
Motion Pattern	Double action				
Working Medium	Air				
Operating Pressure Range	1~9kgf/cm ²				
Ensured Pressure Resistance	10.5kgf/cm ²				
Operating Temperature Range	-5~+70°C				
Operating Speed Range	100~500mm/s				
Adjustable Stroke	-10~0mm				
Cushion Type	Adjustable Cushion				
Non-rotating Precision	0.4°C		0.3°C		
Port Size	M5 × 0.8				G1/8"

Overall Dimensions

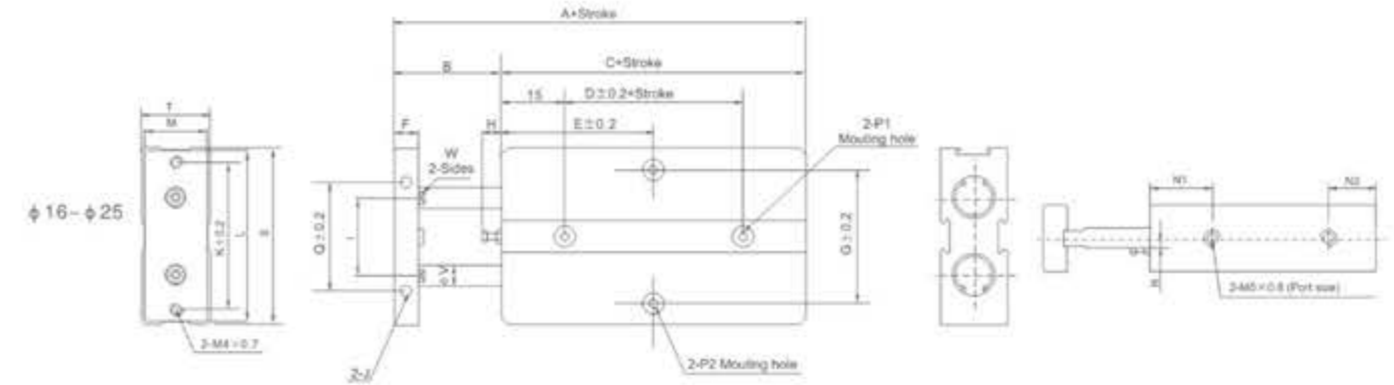


Dimension Sheet

Bore size Item	A	B	C	D	E						
					10	20	30	40	50	60	70
10	63	12	51	10	30	30	35	40	45	50	55

TN Series Double-Shaft Cylinder

Overall Dimensions

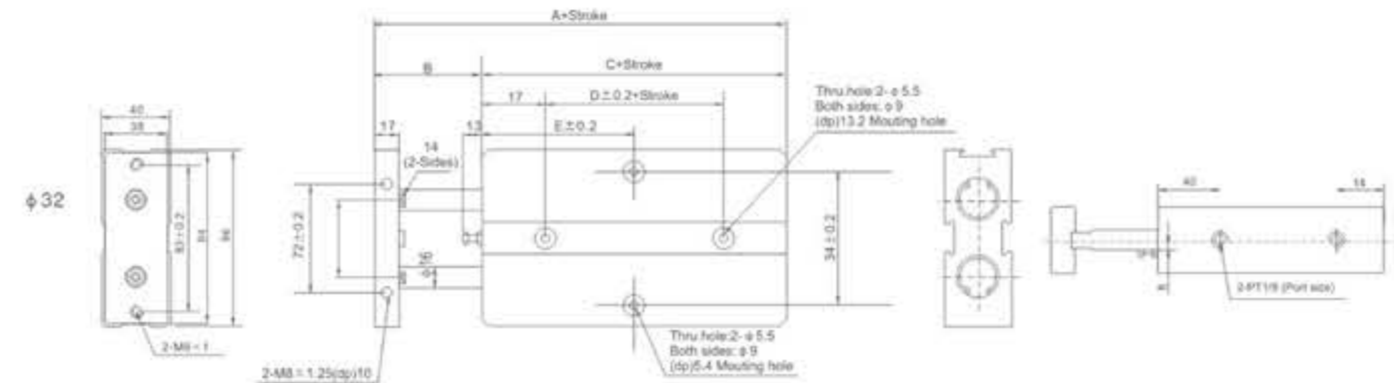


Dimension Sheet

Bore size Item	A	B	C	D	E											F	G	H	I	
					10	20	30	40	50	60	70	80	90	100	125					150
16	68	15	53	20	30	35	40	45	50	55	60	65	70	75	87.5	100	8	47	6	24
20	78	20	58	20	35	35	40	45	50	55	60	65	70	75	87.5	100	10	55	9	28
25	81	19	62	30	40	40	45	50	55	60	65	70	75	80	92.5	105	10	66	8	34

Bore size/Item	J	K	L	M	N1	N2	P1	P2	Q	R	S	T	V	W
16	M4 × 0.7/dp 5	47	53	20	22	11	Both sides : φ 7.5(dp) 7.2mm Thru hole : φ 4.5	Both sides : φ 8(dp) 4.4mm Thru hole : φ 4.5	34	3	54	21	8	6.1
20	M4 × 0.7/dp 5	55	61	24	25	12	Both sides : φ 7.5(dp) 7.2mm Thru hole : φ 4.5	Both sides : φ 8(dp) 4.4mm Thru hole : φ 4.5	44	3.5	62	25	10	6.1
25	M4 × 0.7/dp 6	66	72	29	27	12	Both sides : φ 7.5(dp) 7.2mm Thru hole : φ 4.5	Both sides : φ 8(dp) 4.4mm Thru hole : φ 4.5	56	7	73	30	12	10.2

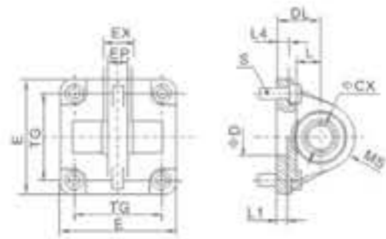
Overall Dimensions



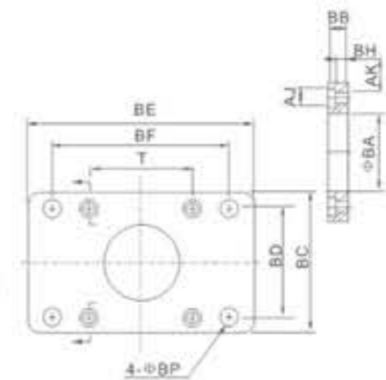
Dimension Sheet

Bore size Item	A	B	C	D	E											
					10	20	30	40	50	60	70	80	90	100	125	150
32	108	30	78	35	45	50	55	60	65	70	75	80	85	90	102.5	115

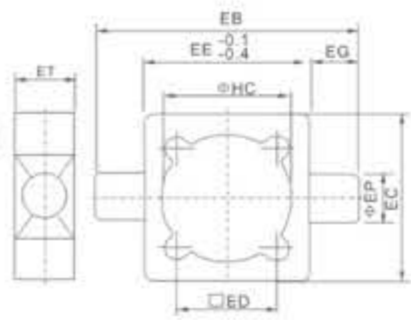
ISO Standard Cylinder Accessories



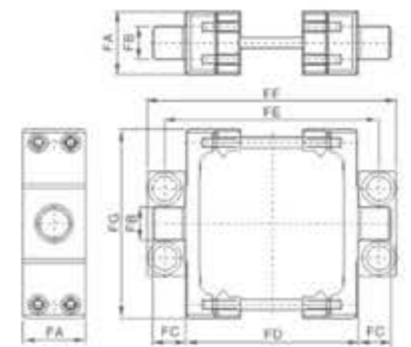
Symbol/Bore	32	40	50	63	80	100
TG	32.5	38	46.5	56.5	72	89
φCX	10	12	16	16	20	20
DL	22	25	27	32	36	41
L	12	15	15	20	20	25
EX	14	16	21	21	25	25
EP	10.5	12	15	15	18	18
S	M6×20	M6×20	M8×20	M8×20	M10×25	M10×25
L4	5.5	5.5	6.5	6.5	10	10
D	30	35	40	45	45	55
L1	7	7	7	7	9	9
E	45	52	65	75	95	115
MS	16	18	21	23	28	30



Symbol/Bore	32	40	50	63	80	100	125	160	200
AJ	11	11	14	14	17	17	19	25	25
AK	7	7	9	9	11	11	13	17	17
BA	30.5	35.5	40.5	45.5	45.5	55.5	60.5	65.5	75.5
BB	10	10	12	12	16	16	20	20	25
BC	47	53	65	75	95	115	140	180	220
BD	32	36	45	50	63	75	90	115	135
BE	80	90	110	125	154	186	224	280	320
BF	64	72	90	100	126	150	180	230	270
BH	4	4	4	6	6	6	8	8	12
BP	7	9	9	9	12.5	14.5	16.5	18.5	24
T	32.5	38	46.5	56.5	72	89	110	140	175

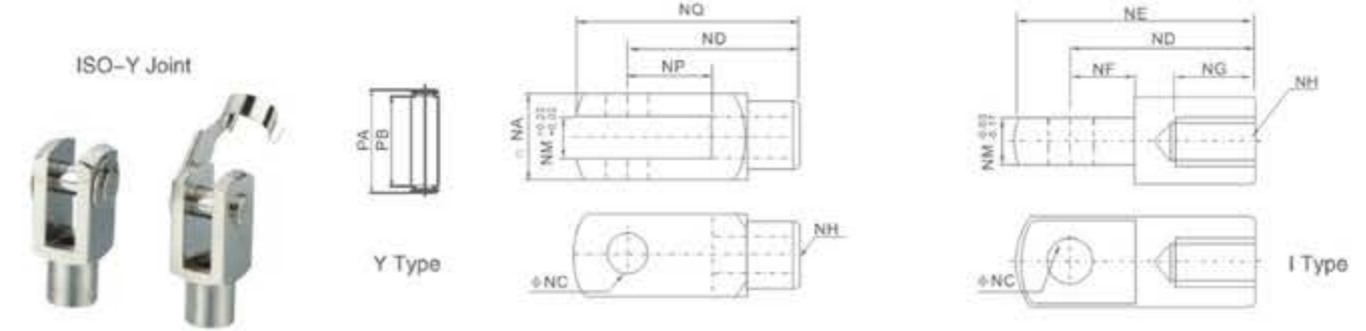


Symbol/Bore	32	40	50	63	80	100
EB	100	113	125	140	160	182
EC	53	63	75	90	105	128
ED	32.5	38	46.5	56.5	72	89
EE	52	63	75	90	110	128
EG	25	25	25	25	25	25
EP	12	16	16	20	20	25
ET	20	22	22	28	28	34
HC	37	45	55	68	87	107.5



Symbol/Bore	32	40	50	63	80	100	125
FA	30	32	34	41	44	48	50
FB	12	16	16	20	20	25	25
FC	12	16	16	20	20	25	25
FD	50	63	75	90	110	132	160
FE	71	87	99	116	136	164	192
FF	86	105	117	136	156	189	217
FG	65	75	95	105	130	145	175

ISO Standard Cylinder Accessories



ISO-Y+Pin ISO-Y+Clip

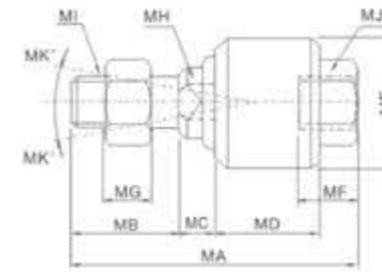


ISO-I Joint

Symbol/Bore	32	40	50	63	80	100	125	160	200
NA	19	25.4	32	32	44.4	44.4	55	70	70
NC	10	12	16	16	20	20	30	35	35
ND	40	48	64	64	80	80	110	144	144
NE	52	67	89	89	112	112	155	201	201
NF	15	24	32	32	40	40	50	50	55
NG	20	20	23	23	30	30	56	72	72
NH	M10×1.25	M12×1.25	M16×1.5	M16×1.5	M20×1.5	M20×1.5	M27×2.0	M36×2.0	M36×2.0
NM	10	12	16	16	20	20	30	35	35
NP	20	24	32	32	40	40	54	72	72
NQ	52	62	83	83	105	105	148	191	191
PA	26.2	32.8	39.3	39.3	53.3	53.3	64	80	80
PB	20	26.5	33	33	45	45	55.6	70.6	70.6



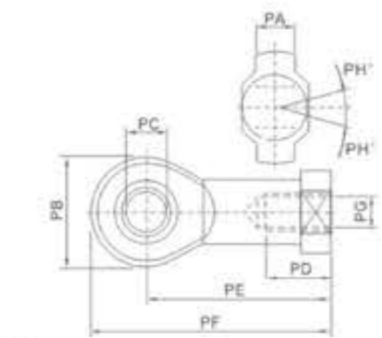
ISO-UJ Type Float Joint



Symbol/Bore	MA	MB	MC	MD	ME	MF	MG	MH	MI	MK
32	58	22	7	21	26	11.5	7	10	M10×1.25	12
40	58	22	8	21	28	11.5	8	12	M12×1.25	12
50	90	27	10	41	44.5	20	10	17	M16×1.5	7
63	90	27	10	41	44.5	20	10	17	M16×1.5	7
80	102	29	13	46	53	24	13	22	M20×1.5	10
100	102	29	13	46	53	24	13	22	M20×1.5	10
125	147	54	13	64	62	39	14	30	M27×2.0	9
160	147	43	23	58	88	35	13.5	36	M36×2.0	15
200	147	43	23	58	88	35	13.5	36	M36×2.0	15



ISO-PHS Type Fish Eye Joint

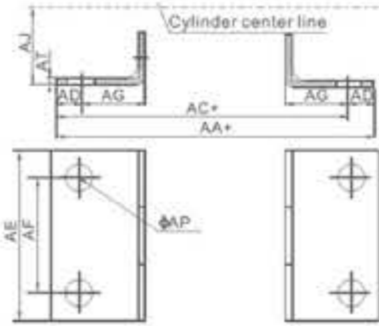


Symbol/Bore	PA	PB	PC	PD	PE	PF	PG	PH
32	11	26	10	21	43	56	M10×1.25	13
40	12	30	12	24	50	65	M12×1.25	13
50	15	38	16	33	64	83	M16×1.5	15
63	15	38	16	33	64	83	M16×1.5	15
80	18	46	20	40	77	100	M20×1.5	15
100	18	46	20	40	77	100	M20×1.5	15
125	37	70	30	51	110	145	M27×2.0	15
160	43	80	35	56	125	165	M36×2.0	16
200	43	80	35	56	125	165	M36×2.0	16

Standard Cylinder Accessories



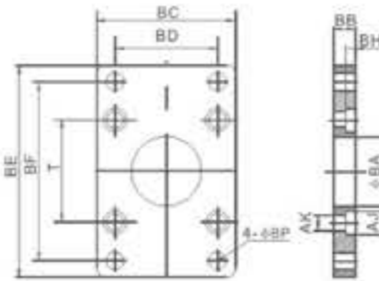
LB Type Foot Bracket



Symbol/Bore	32	40	50	63	80	100	125	160	200
AA	153	169	173	184	199	210	249	328	380
AC	134	140	149	158	167	174	213	288	320
AD	9.5	14.5	12	13	16	18	18	20	30
AE	50	57	68	80	97	112	140	180	220
AF	33	36	47	56	70	84	90	115	135
AG	20.5	23.5	28	31	30	30	45	60	70
AJ	28	30	36.5	41	49	57	90	115	135
AP	9	12	12	12	14	14	16	18	24
AT	3	3	3	3	4	4	8	8	10



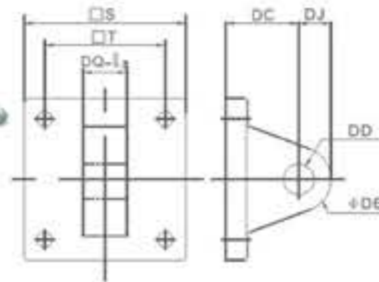
FA/FB Type Flange



Symbol/Bore	32	40	50	63	80	100	125	160	200
BA	28.3	32.3	38.3	38.3	47.3	47.3	56	63	81
BB	10	10	10	12	16	16	16	20	25
BC	47	52	65	76	95	115	140	180	220
BD	33	36	47	56	70	84	90	115	135
BE	72	84	104	116	143	162	224	280	320
BF	58	70	86	98	119	138	180	230	270
BH	6.5	6.5	6.5	8.5	10.5	10.5	10.5	12.5	16.5
AJ	10.5	10.5	13.5	13.5	5	5	19	25	25
AK	6.5	6.5	6.5	8.5	10.5	10.5	12.5	16.5	16.5
BP	7	7	9	9	11	11	16	18	22
T	33	37	47	56	70	84	110	140	175



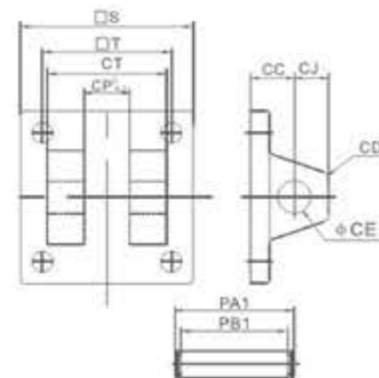
CA Type Single Earring



Symbol/Bore	32	40	50	63	80	100	125	160	200
S	48	50	62	75	94	112	140	180	220
T	33	37	47	56	70	84	110	140	175
DC	34	34	34	34	48	48	50	55	60
DD	14	14	14	14	20	20	25	30	30
DE	12	14	14	14	20	20	25	30	30
DJ	14	14	15	15	20	20	25	30	30
DQ	16	20	20	20	32	32	70	90	90



CB +Pin Type Double Earring



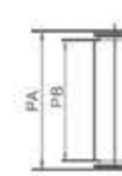
Symbol/Bore	32	40	50	63	80	100	125	160	200
CC	19	19	19	19	32	32	50	55	60
CD	5	5	3	2	8	8	25	30	30
CE	12	14	14	14	20	20	25	30	30
CJ	13	13	15	15	21	21	25	30	30
CP	16	20.5	20.3	20.3	32.3	32.3	70	90	90
CT	32	44	52	52	64	64	120	160	160
PA1	41	51.8	60.3	60.3	73.8	73.8	130	170	170
PB1	33.5	45.8	54	54	65.5	65.5	121.5	161.5	161.5
S	48	50	62	75	94	94	140	180	220
T	33	37	47	56	70	70	110	140	175

Note: CA and CB From 32-100, we can supply two kinds of materials products: 1. Iron 2. Aluminum. When placing order, please indicate product material. From 125-200 are all iron.

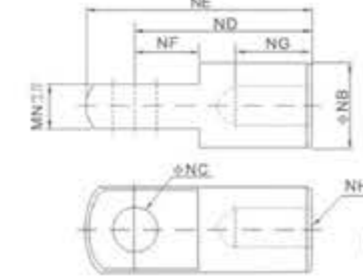
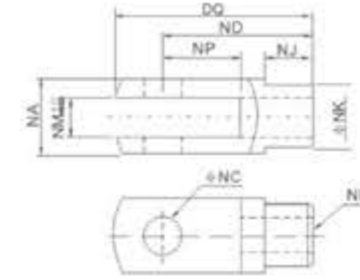
Standard Cylinder Accessories



Y+Pin Type Joint



Y Type



I Type

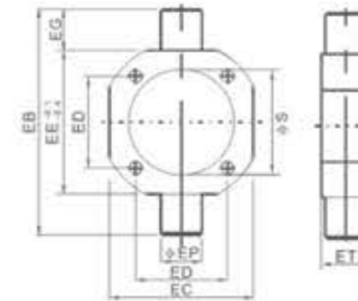


I Type Joint

Symbol/Bore	32	40	50	63	80	100	125	160	200
NA	19	25.4	32	32	44.4	44.4	64	80	80
NB	20	24	32	32	40	40	45	54	54
NC	10	12	16	16	20	20	20	30	30
ND	40	48	64	64	80	80	102	120	120
NE	52	67	89	89	112	112	121	130	130
NF	15	24	32	32	40	40	52	35	35
NG	20	20	23	23	30	30	56	50	50
NH	M10×1.25	M12×1.25	M16×1.5	M16×1.5	M20×1.5	M20×1.5	M27×2	M36×2	M36×2
NJ	12	20	22	22	30	30	27	40	40
NK	18	23	30	30	39	39	38	54	54
NM	10	12	16	16	20	20	32	40	40
MP	20	24	32	32	40	40	35	35	35
NQ	52	62	83	83	105	105	122	150	150
PA	25	32.8	39.3	39.3	53.3	53.3	74	91	91
PB	19.5	26.5	33	33	45	45	63.5	81	81



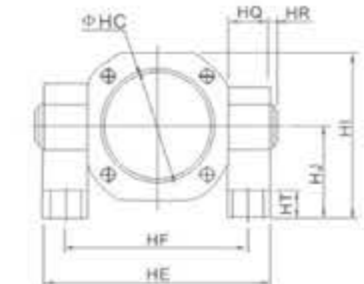
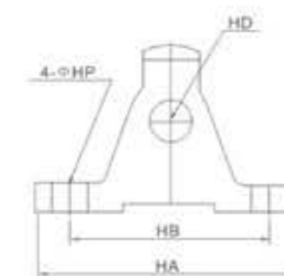
TC Type



Symbol/Bore	32	40	50	63	80	100	125	160	200
EB	88.5	113	126	138	164	182	210	264	320
EC	52	63	76	88	114	132	160	200	248
ED	33	37	47	56	70	84	110	140	175
EE	55	63	76	88	114	132	160	200	248
EG	16.75	25	25	25	25	25	25	32	36
EP	16	25	25	25	25	25	25	32	32
ET	30	30	30	30	30	35	35	41	49
S	37.5	45.5	56.5	68.5	87.5	107.5	134.5	172.5	219.5



TC-M Type

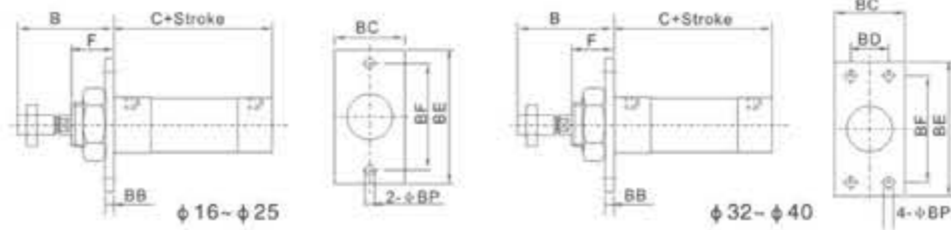


Symbol/Bore	HA	HB	HC	HD	HE	HF	HI	HJ	HQ	HR	HT	HP
40	110	80	45.5	22	109	86	81.5	50	23	2	12	12
50	110	80	55.5	22	122	99	88	50	23	2	12	12
63	110	80	68.5	22	134	111	94	50	23	2	12	12
80	120	85	87.5	22	160	137	127	70	23	2	14	14
100	120	85	107.5	22	178	155	136	70	23	2	14	14

Mini Cylinder Accessories



M-FA Type Flange



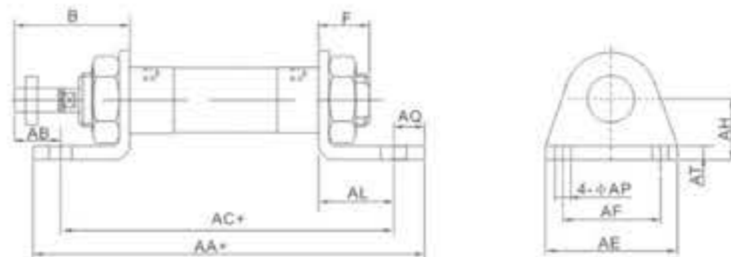
M-FA-A Type

Bore	B	C		C(MSA Series)		C(MSAL Series)		BB	BC	BD	BE	BF	BP	F
		MA Series	MAL Series	0-50	51-100	0-50	51-100							
16	38	60	-	60	85	-	-	3	26	-	52	40	5.5	16
20	40	76	70	76	101	70	95	4	33	-	64	50	6.5	12
25	44	76	70	76	101	70	95	4	33	-	64	50	6.5	14
32	44	76	70	76	101	70	95	4	47	33	72	58	6.5	14
40	46	76	92	76	101	92	117	4	50	36	84	70	6.5	14

Our company can also provide this used for mini cylinder flange from 16-25, if you need, pls add A after all ordering code, like M-FA-20-A



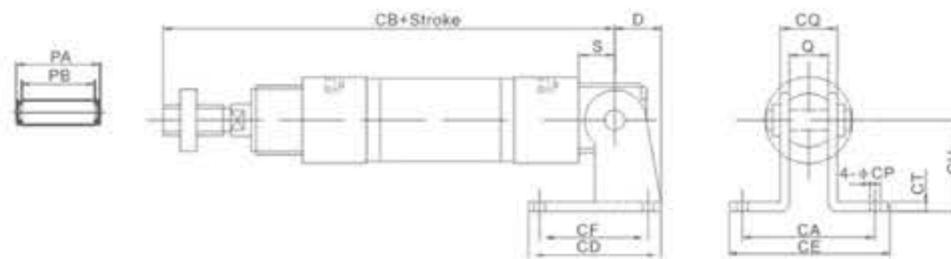
M-LB Type Foot Bracket



Symbol Bore	B	F	AA (MA Series)	AA (MAL Series)	AA(MSA Series)		AA(MSAL Series)		AB	AC (MA Series)	AC (MAL Series)	AC(MSA Series)		AC(MSAL Series)		AE	AF	AL	AQ	AP	AT	AH
					0-50	51-100	0-50	51-100				0-50	51-100	0-50	51-100							
16	38	16	98	-	98	123	-	-	25	86	-	86	111	-	-	44	32	13	6	5.5	3	20
20	40	12	122	116	122	147	116	141	25	106	100	106	131	100	125	54	40	15	8	6.5	3	25
25	44	14	122	116	122	147	116	141	29	106	100	106	131	100	125	54	40	15	8	6.5	3	25
32	44	14	142	136	142	167	136	161	19	126	120	126	151	120	145	59	45	25	8	6.5	4	32
40	46	14	142	158	142	167	158	183	21	126	142	126	151	142	167	64	50	25	8	6.5	4.5	36



M-SDB Type Bracket



Symbol Bore	D	S	Q	CA	CB(MA Series)	CB(MAL Series)	CB(MSA Series)		CB(MSAL Series)		CD	CE	CF	CH	CT	CP	CQ	PA	PB
							0-50	51-100	0-50	51-100									
16	16	9	12	-	107	-	107	132	-	-	23	-	12	20	3	5.5	16.5	21	17
20	21	12	16	51	128	122	128	153	122	147	48	67	32	32	3	6.5	22	27	22.5
25	21	12	16	51	132	126	132	157	126	151	48	67	32	32	3	6.5	22	27	22.5
32	27	15	16	51	135	129	135	160	129	154	52	67	36	36	3	6.5	24	30	24.5
40	27	15	20	55	137	153	137	162	153	178	56	71	40	40	3	6.5	28	34	28.5

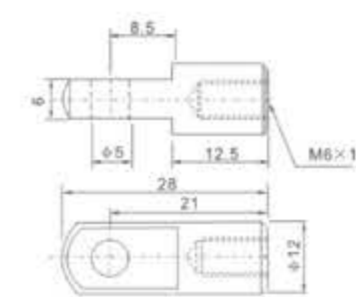
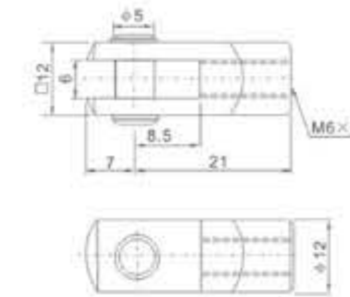
Mini Cylinder Accessories

M-Y Joint

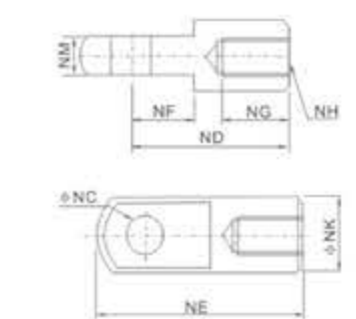
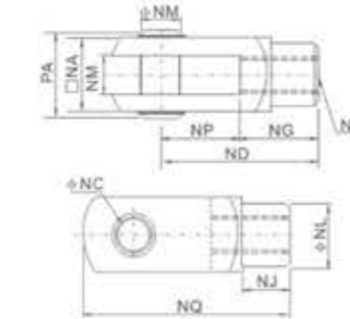


M-Y+Pin

M-Y+Clip



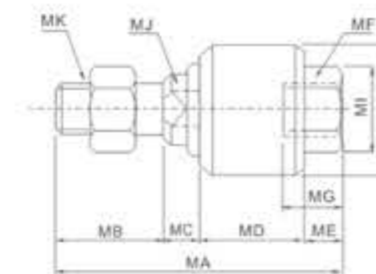
M-I Joint



Symbol/Bore	NA	NC	ND	NE	NF	NG	NH	NJ	NK	NL	NM	NN	NP	NQ	PA	PB
20	16	8	30	40	11	15	M8×1.25	10	16	14	8	8	15	40	21	16.5
25	19	10	40	52	15	20	M10×1.25	12	20	18	10	10	20	52	25	19.5
32	19	10	40	52	15	20	M10×1.25	12	20	18	10	10	20	52	25	19.5
40	25.4	10	45	57	15	25	M12×1.25	15	24	23	14	10	20	57	31	26



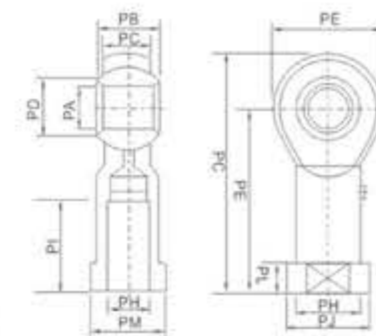
M-UJ Type Float Joint



Symbol/Bore	MA	MB	MC	MD	ME	MF	MG	MH	MI	MJ	MK
20	51	20	6	17	8	M8×1.25	12	24	13	8	M8×1.25
25	58	22	7	21	8	M10×1.25	12	26	17	10	M10×1.25
32	58	22	7	21	8	M10×1.25	12	26	17	10	M10×1.25
40	58	22	8	21	7	M12×1.25	12	28	19	12	M12×1.25



M-PHS Type Fish Eye Joint



Symbol/Bore	PA	PB	PC	PD	PE	PF	PG	PH	PI	PJ	PK	PL	PM
20	8	12	9	10.4	22	36	47	M8×1.25	17	16	12.5	5	14
25	10	14	11	12.9	26	43	56	M10×1.25	21	19	15	6.5	17
32	10	14	11	12.9	26	43	56	M10×1.25	21	19	15	6.5	17
40	12	16	12	15.4	30	50	65	M12×1.25	24	22	17.5	6.5	19

XC-11R Series Magnetism Switch



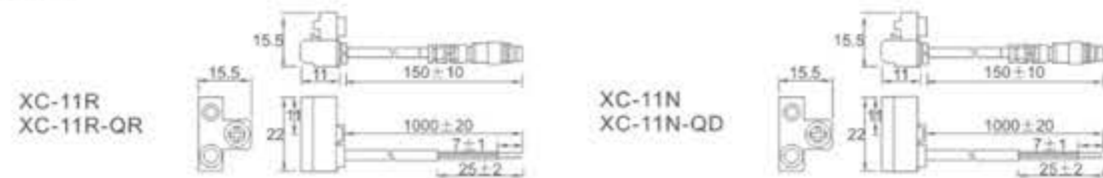
Features and Applications

1. Compact design
2. LED light
3. Anti-vibration application
4. For groove and bandage fixing type
5. Simple installation
6. Suitable for thin type(compact) cylinder

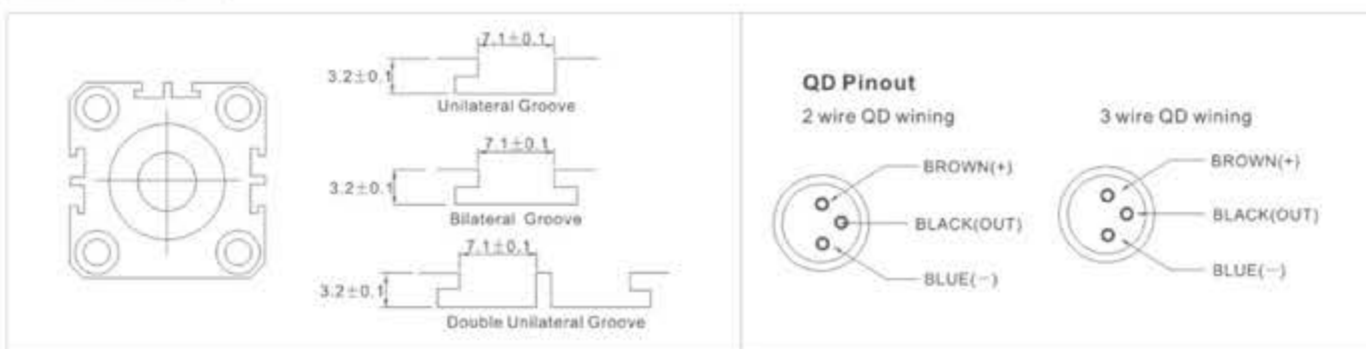
Specification

Type	XC-11R	XC-11RB	XC-11N	XC-11P
250 320	Connect Diagram			
Parameter				
Switching logic	SPST Normally Open	SPST Normally Closed	Solid State Output, Normally Open	
Sensor type	Reed switch		NPN Input	PNP Output
Operating voltage	5-240V DC/AC	5-120V DC/AC	5-30V DC	
Max. switching current	100mA max.		200mA max.	
Contact rating	10W max.		6W max.	
Current consumption	None		20mA max @ 24V (Switch Active)	
Voltage drop	2.5V max @ 100mA		0.5V max @ 200mA	
Leakage current	None		0.01mA max.	
Indicator	Red LED		Red LED	Green LED
Cabel	φ 3.2, 2C PVC Gray color, oil resistance PVC		φ 3.2, 3C PVC Black color, oil resistance PVC	
Sensitivity			40Gauss	
Max. switch frequency	200Hz		1000Hz	
Temperature range			-10~70°C	
Shock	30G		50G	
Vibration			9G	
Enclosure classification			IEC 529 IP67 (NEMA 6)	
Protection circuit	None		With protection	

Overall Dimensions



Joint Pipe Bore



Magnetism Switch

Specification

Model	Product	Contact Type	Working Voltage	Diameter	Joint Pipe Bore
XC-01R Series		Amagnetic reed Switch contact	5~240V DC/AC		For SDA φ20~φ100 (Front fact mounting)
		Contactless NPN transistors	5~30V DC		
		Contactless PNP transistors			
XC-07R Series		Amagnetic reed Switch contact	5~240V DC/AC		For CQ2B φ20~φ100 (Front fact mounting)
		Contactless NPN transistors	5~30V DC		
		Contactless PNP transistors			
XC-15R Series		Amagnetic reed Switch contact	5~240V DC/AC		For Round Cylinder
		Contactless NPN transistors	5~30V DC		
		Contactless PNP transistors			
XC-20R Series		Amagnetic reed Switch contact	5~240V DC/AC		PM Fixed clamping device PAC Fixed clamping device PAB Fixed steel belt PNB Fixed steel belt PPI Fixed clamping device
		Contactless NPN transistors	5~30V DC		
		Contactless PNP transistors			
XC-36R Series		Amagnetic reed Switch contact	5~240V DC/AC		For XHZ, XHY Cylinder
		Contactless NPN transistors	5~30V DC		
		Contactless PNP transistors			

XOU Series Air Source Treatment Unit



XOU-MINI

The XOU consisted of XOFR and XOL, each unit can be ordered separately.
The XOF with water separator cleans the compressed air of fluid oil, condensation and dirt. Particles. For special application, the standard 40µm filter element may easily be replaced by a 5µm filter element.
The XOR maintain inputting constant operating pressure despite fluctuation in line pressure and the amount of air consumed. The proportional lubricator adds a regulated quantity of oil to the filtered air. The oil-mist content proportional to the flow and oil can be added during operation. The oil drop rate is controlled by the adjustable bolt. Normally, 1 to 12 drops/1000L of the air is sufficient.

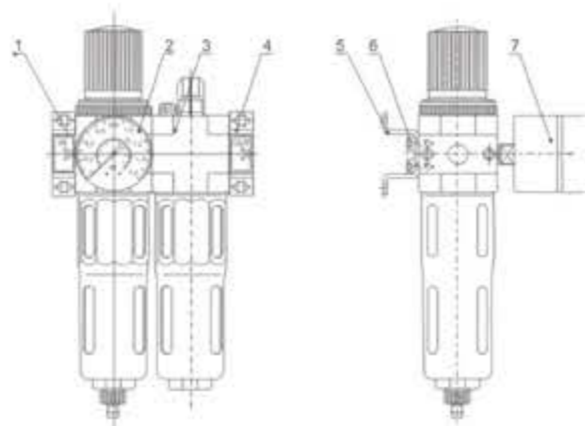
Ordering Code

XO	U	MINI	1/4			
Series XO Series	Function code FRL Combination	Body MINI MIDI MAXI	Port Size G1/8" G1/2" G1/4" G3/4" G3/8" G1"	Grade of Filtration Blank: 40µm 5M: 5µm	Manometer Blank: 12bar 7.7bar	Drain Type Blank: Turned Manually A: Auto Drain Type

Specification

Service units		MINI			MIDI			MAXI	
Manual Drain	Working pressure: 12bar, 40µm	XOU-1/8-MINI	XOU-1/4-MINI	XOU-3/8-MINI	XOU-3/8-MIDI	XOU-1/2-MIDI	XOU-3/4-MIDI	XOU-3/4-MAXI	XOU-1-MAXI
	Working pressure: 7bar, 40µm	XOU-1/8-7-MINI	XOU-1/4-7-MINI	XOU-3/8-7-MINI	XOU-3/8-7-MIDI	XOU-1/2-7-MIDI	XOU-3/4-7-MIDI	XOU-3/4-7-MAXI	XOU-1-7-MAXI
	Working pressure: 12bar, 5µm	XOU-1/8-5M-MINI	XOU-1/4-5M-MINI	XOU-3/8-5M-MINI	XOU-3/8-5M-MIDI	XOU-1/2-5M-MIDI	XOU-3/4-5M-MIDI	XOU-3/4-5M-MAXI	XOU-1-5M-MAXI
Manometer	0~12bar	OMA-40-16-1/8			OMA-50-16-1/4				
	0~7bar	OMA-40-10-1/8			OMA-50-10-1/4				
Medium	Compressed air								
Features of structure	Sintered filter with water separator, MINI/MIDI/MAXI Piston regulator, Diaphragm type regulator, Direct constant-density lubricator								
Mounting type	Pipe mounting or foot mounting								
Assembly position	Vertical ±5°								
Connection	G1/8"	G1/4"	G3/8"	G3/8"	G1/2"	G3/4"	G3/4"	G1"	
Standard nominal flow rate	XOU-...(-A)	700	1000	1200	2000	2600	2600	7000	8000
	XOU-...-7(-A)	800	1300	1500	2500	2800	2800	8500	8700
	XOU-...-5M(-A)	600	850	1050	1700	1800	2100	6500	7200
Primary pressure	Manual condensate drain	1~16bar							
	Automatic condensate drain	1.5~12bar							
Working pressure	0.5~12bar/0.5~7bar								
Min. Standard nominal flow rate	3 L/min			6 L/min			10 L/min		
Grade of filtration	40µm/5µm								
Capacity of condensate fluid	22ml								
Temperature range	0~60°C								
Materials information	Housing: Zinc die-casting; Filter bowl and oil bowl: PC; Metal bowl guard: Aluminum alloy; Sealing: NBR; Adjusting knob: POM								

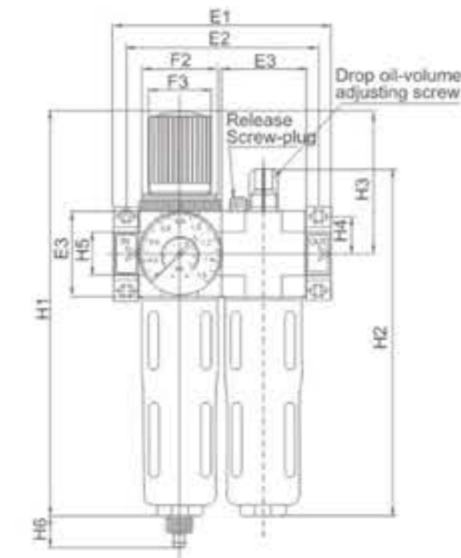
Internal structure



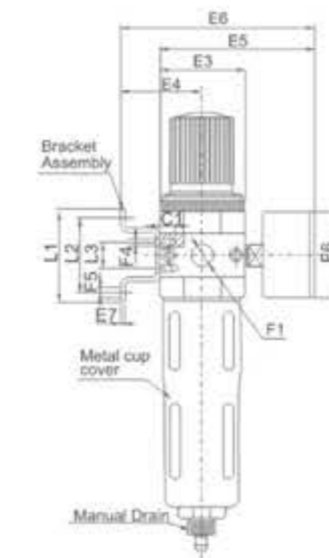
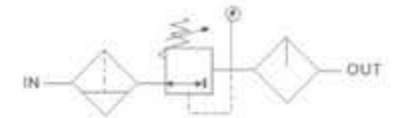
NO	Item	Material
1	Flange-IN	Zinc alloy
2	Filter + Regulator	
3	Lubricator	
4	Flange - OUT	Zinc alloy
5	Bracket	SPCC
6	Allen screw	S35C
7	Pressure gauge	

XOU Series Air Source Treatment Unit

Overall Dimensions



Graphic Symbol



Dimension Sheet

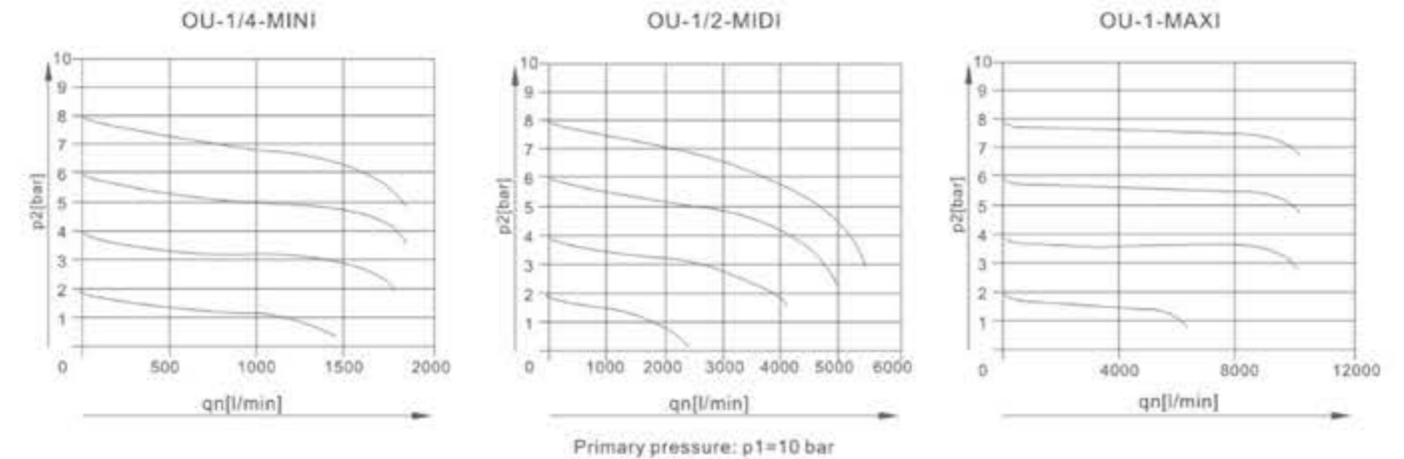
Model	E1	E2	E3	E4	E5	E6	E7	F1		F2
XOU-...-MINI	104	92	40	39	76	95	2	G1/8", G1/4", G3/8"		M36×1.5
XOU-...-MIDI	140	125	55	47	93	112	3	G3/8", G1/2", G3/4"		M52×1.5
XOU-...-MAXI	162/182	146/157	66	53	104	124	3	G3/4", G1"		M52×1.5

Model	F3φ	F4	F5φ	F6φ	L1	L2	L3	H1	H2	H3	H4	H5	H6
XOU-...-MINI	31	M4	4.5	41	44	35	11	194	169	69	17.5	20	15
XOU-...-MIDI	50	M5	5.5	52	71	60	22	250	206	97	24.5	32	15
XOU-...-MAXI	50	M5	5.5	53	71	60	22	272	226	80	24.5	32.40	15

Note: The Color Can Be Customized According to Your Requirement.

Flow diagram

Standard flow rate qn as a function of the output pressure p2



XOFR Series Filter & Regulator



Filter and pressure regulator combine a single unit, and cleans the compressed air of fluid oil, condensation and dirt particles. For special application, the standard 40µm filter element may easily be replaced by a 5µm filter element.

The XOR maintain im putting constant operating pressure despite fluctuation in line pressure and the amount of air consumed.

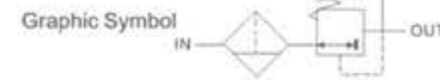
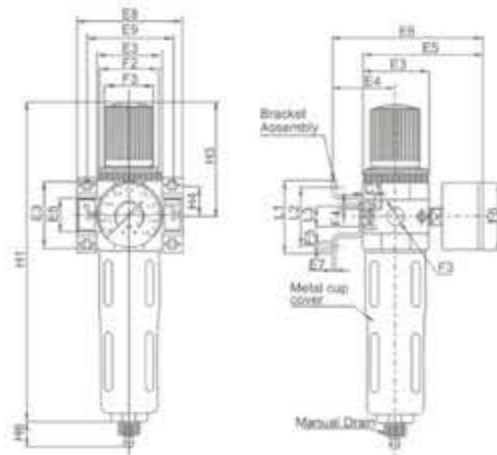
Ordering Code

XO	FR	MINI	1/4	□	□	□
Series XO Series	Function code Filter&Regulator	Body MINI MIDI MAXI	Port Size G1/8" G1/2" G1/4" G3/4" G3/8" G1"	Grade of Filtration Blank: 40µm 5M: 5µm	Manometer Blank: 12bar 7: 7bar	Drain Type Blank: Turnd Manually A: Auto Drain Type

Specification

Filter regulators		MINI			MIDI			MAXI	
Manual Drain	Working pressure: 12bar, 40µm	XOFR-1/8-MINI	XOFR-1/4-MINI	XOFR-3/8-MINI	XOFR-3/8-MIDI	XOFR-1/2-MIDI	XOFR-3/4-MIDI	XOFR-3/4-MAXI	XOFR-1-MAXI
	Working pressure: 7bar, 40µm	XOFR-1/8-7-MINI	XOFR-1/4-7-MINI	XOFR-3/8-7-MINI	XOFR-3/8-7-MIDI	XOFR-1/2-7-MIDI	XOFR-3/4-7-MIDI	XOFR-3/4-7-MAXI	XOFR-1-7-MAXI
	Working pressure: 12bar, 5µm	XOFR-1/8-5M-MINI	XOFR-1/4-5M-MINI	XOFR-3/8-5M-MINI	XOFR-3/8-5M-MIDI	XOFR-1/2-5M-MIDI	XOFR-3/4-5M-MIDI	XOFR-3/4-5M-MAXI	XOFR-1-5M-MAXI
Manometer	0-12bar	OMA-40-16-1/8			OMA-50-16-1/4				
	0-7bar	OMA-40-10-1/8			OMA-50-10-1/4				
Medium		Compressed air							
Features of structure		Sintered filter with water separator; MINI/MIDI: Diaphragm type-regulator; MAXI: Piston regulator;							
Mounting type		Pipe mounting or foot mounting							
Assembly position		Vertical ±5°							
	Connection	G1/8"	G1/4"	G3/8"	G3/8"	G1/2"	G3/4"	G3/4"	G1"
Standard nominal flow rate	XOFR-...	750	1400	1600	3100	3400	3400	9000	10000
	XOFR-...-7	900	1500	1700	3400	3900	3900	9500	16000
	XOFR-...-5M	650	1200	1350	2400	2500	2500	7300	7600
Primary pressure	Manual condensate drain	1-16bar							
	Automatic condensate drain	1.5-12bar							
Working pressure		0.5-12bar/0.5-7bar							
Grade of filtration		40µm/5µm							
Max. Condensate Capacity		22ml							
Temperature range		0-60°C							
Materials information		Housing: Zinc die-casting; Filter bowl: PC; Metal bowl guard: Aluminum alloy; Sealing: NBR; Adjusting knob: POM							

Overall Dimensions

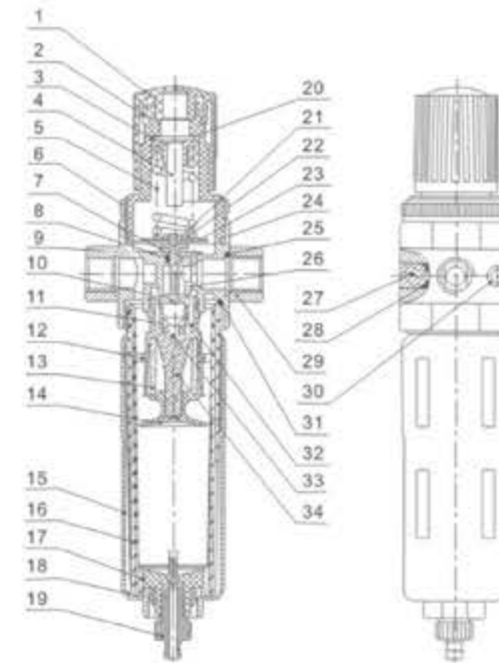


Dimension Sheet

Model	E3	E4	E5	E6	E8	E9	F1	F2				
XOFR-...-MINI	40	39	76	95	64	52	G1/8", G1/4", G3/8"	M36 × 1.5				
XOFR-...-MIDI	55	47	93	112	85	70	G3/8", G1/2", G3/4"	M52 × 1.5				
XOFR-...-MAXI	66	53	104	124	116	91	G3/4", G1"	M52 × 1.5				
Model	F3	F4	F5	F6	L1	L2	L3	H1	H3	H4	H5	H6
XOFR-...-MINI	31	M4	4.5	41	44	35	11	194	69	17.5	20	15
XOFR-...-MIDI	50	M5	5.5	52	73	60	22	250	98	24.5	32	15
XOFR-...-MAXI	50	M5	5.5	53	73	60	22	272	80	24.5	32, 40	15

XOFR Series Filter & Regulator

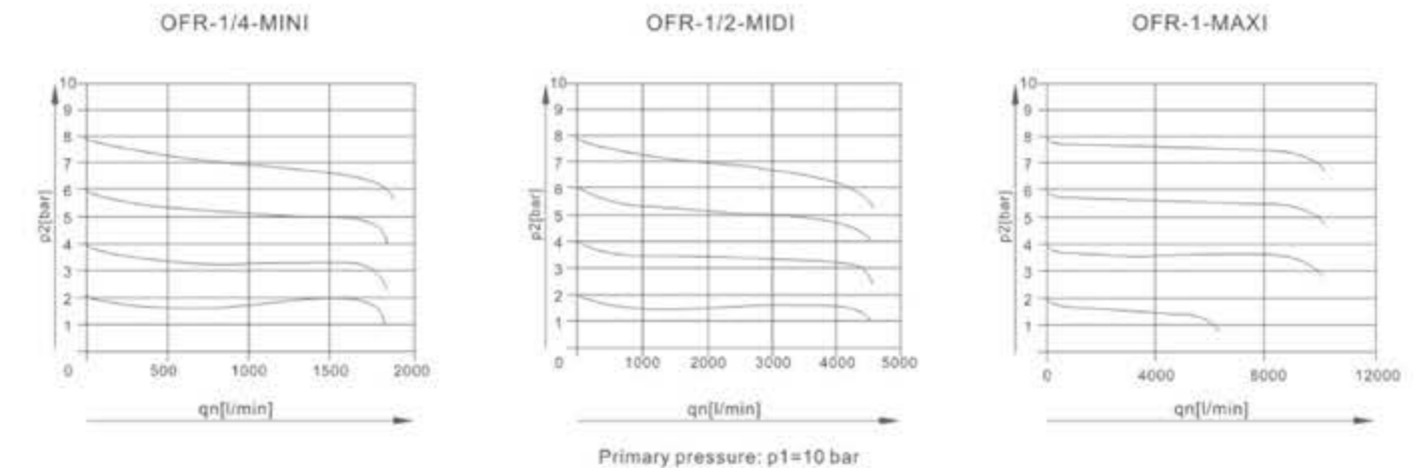
Internal structure



NO	Item	Material	NO	Item	Material
1	Pressure knob	POM	18	Inner joint	POM
2	Regulator cap	POM	19	Condensate drain	POM
3	Regulator nut	S35C	20	Wearing sheet	Insulation sheet
4	Adjusting spindle	S35C	21	OR Sheet	NBR
5	Pressure spring	SWC	22	Overflow base	6061-T6
6	Fixed ring	6061-T6	23	One part of diaphragm	SPCC
7	One part of membrane	PA6+G15	24	Diaphragm	NBR+Nylon Mesh
8	O-ring	NBR	25	O-ring	NBR
9	Flange-IN	Zinc alloy	26	OR Body	Zinc alloy
10	Spool	Brass	27	Plug	POM
11	O-ring	NBR	28	O-ring	NBR
12	Whirl wind impeller	POM	29	Flange-OUT	Zinc alloy
13	Filter element	PE	30	Allen screw	S35C
14	Manger	POM	31	O-ring	NBR
15	Metal bowl guard	Aluminum alloy	32	Spring	SWPB
16	Filter bowl	PC	33	Fasteners	Brass
17	O-ring	NBR	34	Filter element base	POM

Flow diagram

Standard flow rate qn as a function of the output pressure p2



Primary pressure: p1=10 bar

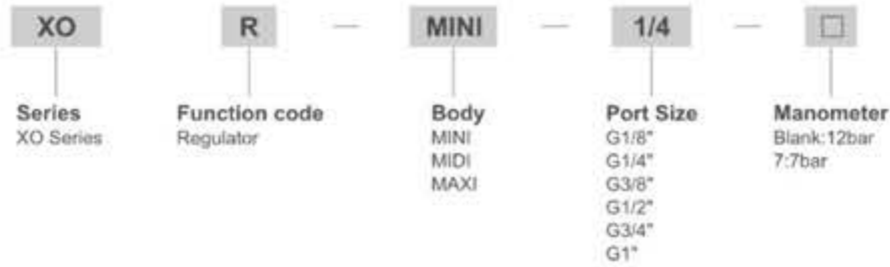
XOR Series Regulator



XOR-MINI

The XOR maintain inputting constant operating pressure despite fluctuation in line pressure and the amount of air consumed.

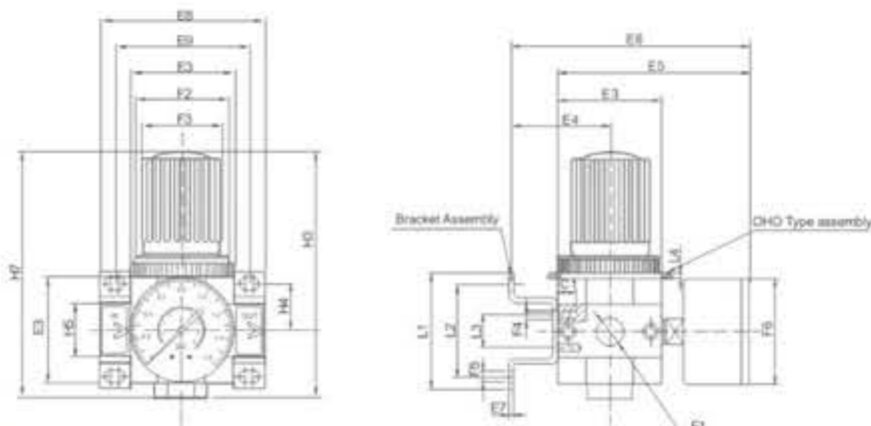
Ordering Code



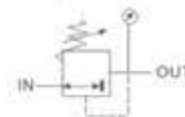
Specification

Regulators	MINI			MIDI			MAXI	
Working pressure 12bar	XOR-1/8-MINI	XOR-1/4-MINI	XOR-3/8-MINI	XOR-3/8-MIDI	XOR-1/2-MIDI	XOR-3/4-MIDI	XOR-3/4-MAXI	XOR-1-MAXI
Working pressure 7bar	XOR-1/8-7-MINI	XOR-1/4-7-MINI	XOR-3/8-7-MINI	XOR-3/8-7-MIDI	OXR-1/2-7-MIDI	XOR-3/4-7-MIDI	XOR-3/4-7-MAXI	XOR-1-7-MAXI
Manometer	0-12bar			OMA-40-16-1/8			OMA-50-16-1/4	
	0-7bar			OMA-40-10-1/8			OMA-50-10-1/4	
Medium	Filtered, compressed air (lubricated or unlubricated)							
Features of structure	MINI/MIDI: Diaphragm type regulator; MAXI: Piston regulator							
Mounting type	Pipe/foot/Plate mounting							
Assembly position	Any							
Connection	G1/8"	G1/4"	G3/8"	G3/8"	G1/2"	G3/4"	G3/4"	G1"
Standard nominal flow rate	XOR-...-	800	1500	1700	3200	3500	3500	11000
	XOR-...-7-	1000	1600	1800	3300	4000	4500	12000
Primary pressure	1-16bar							
Working pressure	0.5-12bar/0.5-7bar							
Temperature range	0-60°C							
Materials information	Housing: Zinc die-casting; Sealing: NBR; Adjusting knob: POM							

Overall Dimensions



Graphic Symbol

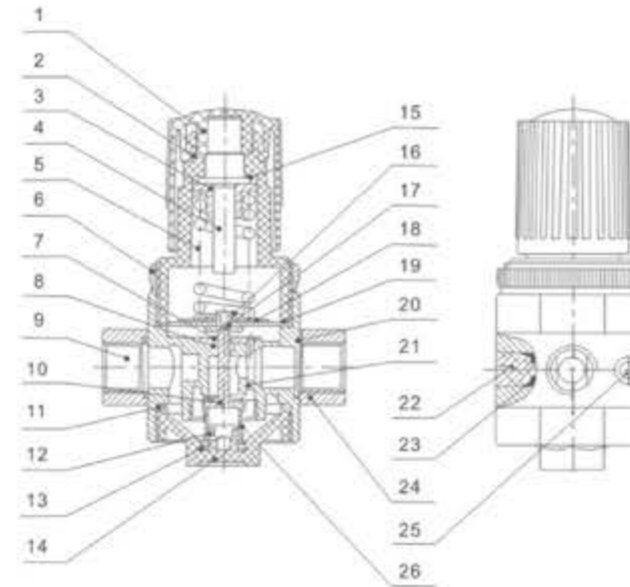


Dimension Sheet

Model	E3	E4	E5	E6	E8	E9	F1	F2	F3 ϕ	F4	F5 ϕ	F6 ϕ	L1	L2	L3	L4	H3	H4	H7
XOR-...-MINI	40	39	76	95	64	52	G1/8", G1/4", G3/8"	M36 x 1.5	31	M4	4.5	41	44	35	11	Max.3	69	17.5	96
XOR-...-MIDI	55	47	93	112	85	70	G3/8", G1/2", G3/4"	M52 x 1.5	50	M5	5.5	52	73	60	22	Max.5	98	24.5	96
XOR-...-MAXI	66	53	104	124	96,116	80,91	G3/4", G1"	M52 x 1.5	31	M5	5.5	53	73	60	22	Max.4	80	24.5	96

XOR Series Regulator

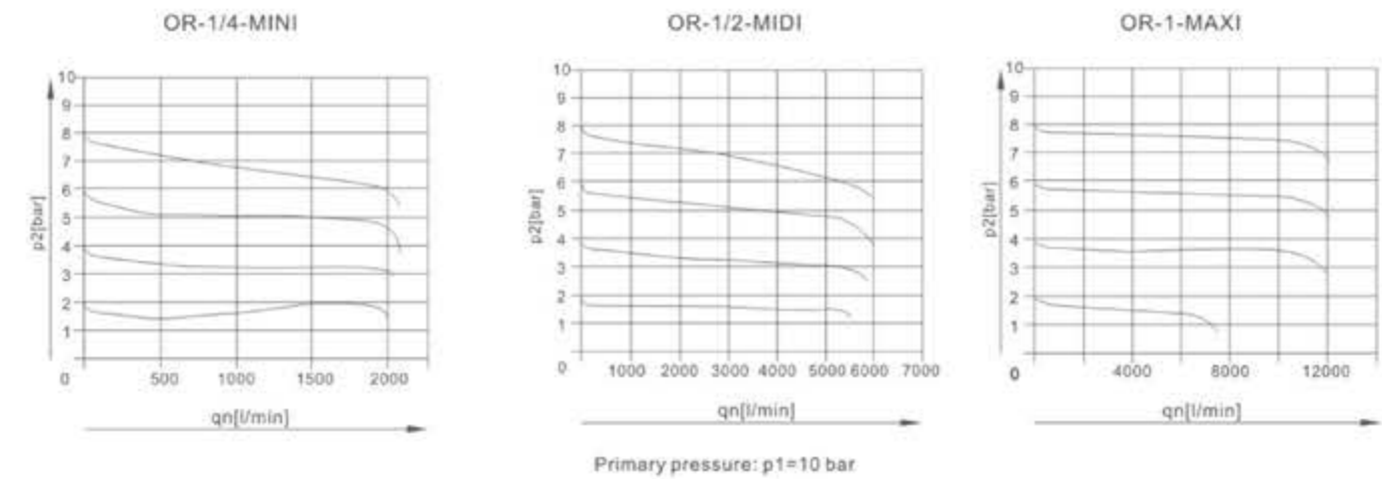
Internal structure



NO	Item	Material
1	Pressure knob	POM
2	Regulator cap	POM
3	Regulator nut	S35C
4	Adjusting spindle	S35C
5	Pressure spring	SWC
6	Fixed ring	6061-T6
7	One part of membrane	NBR
8	O-ring	NBR
9	Flange-IN	Zinc alloy
10	Spool	Brass
11	O-ring	NBR
12	O-ring	NBR
13	Fasteners	Brass
14	Locker cover	Zinc alloy
15	Wearing sheet	Insulation sheet
16	OR Sheet	NBR
17	Overflow base	6061-T6
18	One part of diaphragm	SPCC
19	Diaphragm	NBR+Nylon Mesh
20	O-ring	NBR
21	OR Body	Zinc alloy
22	Plug	POM
23	O-ring	NBR
24	Flange-OUT	Zinc alloy
25	Allen screw	S35C
26	Spring	SWPB

Flow diagram

Standard flow rate q_n as a function of the output pressure p_2



XOF Series Air Filter

The OF with water separator cleans the compressed air of fluid oil, condensation and dirt particles, for special application, the standard 40 μm filter element may easily be replaced by a 5 μm filter element.



XOF-MINI

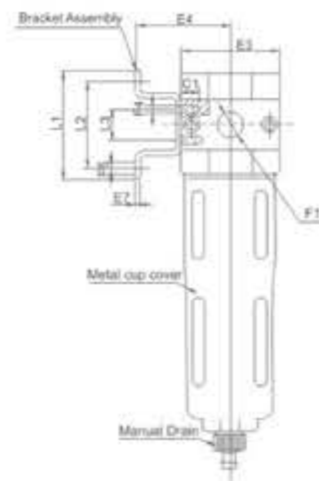
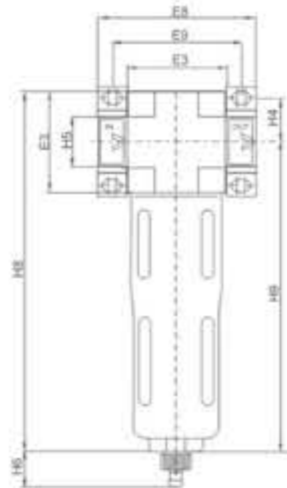
Ordering Code

XO	F	MINI	1/4	□	□
Series XO Series	Function code Filter	Body MINI MIDI MAXI	Port Size G1/8" G1/4" G3/8" G1/2" G3/4" G1"	Grade of Filtration Blank: 40μm 5M: 5μm	Drain Type Blank: Turned Manually A: Auto Drain Type

Specification

Filters	MINI			MIDI			MAXI	
40μm	XOF-1/8-MINI	XOF-1/4-MINI	XOF-3/8-MINI	XOF-3/8-MIDI	XOF-1/2-MIDI	XOF-3/4-MIDI	XOF-3/4-MAXI	XOF-1-MAXI
5μm	XOF-1/8-5M-MINI	XOF-1/4-5M-MINI	XOF-3/8-5M-MINI	XOF-3/8-5M-MIDI	XOF-1/2-5M-MIDI	XOF-3/4-5M-MIDI	XOF-3/4-5M-MAXI	XOF-1-5M-MAXI
Medium	Compressed air							
Features of structure	Sintered filter with water separator							
Mounting type	Pipe mounting or foot mounting							
Assembly position	Vertical ±5°							
Connection	G1/8"	G1/4"	G3/8"	G3/8"	G1/2"	G3/4"	G3/4"	G1"
Standard nominal flow rate	OF-... 1000	1200	1400	2700	3000	3000	5000	5300
	OF-...-5M 600	950	1100	1800	1900	1900	3200	3300
Primary pressure	Manual drain: 1-16bar							
Grade of filtration	40μm/5μm							
Max condensate capacity	22ml							
Temperature range	0-60°C							
Materials information	Housing: Zinc die-casting; Filter bowl: PC; Metal bowl guard: Aluminum alloy; Sealing: NBR							

Overall Dimensions



Graphic Symbol

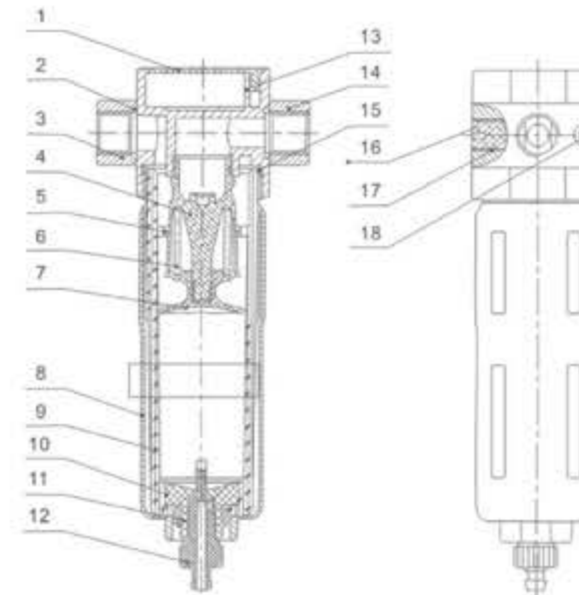


Dimension Sheet

Model	E3	E4	E7	E8	E9	F1	F4	F5 (d)	L1	L2	L3	H4	H5	H6	H8	H9
XOF-...-MINI	40	39	2	64	52	G1/8", G1/4", G3/8"	M4	4.5	44	35	11	17.5	20	15	144	124
XOF-...-MIDI	55	47	3	85	70	G1/8", G1/2", G3/4"	M5	5.5	71	60	22	30	32	15	180	153
XOF-...-MAXI	66	53	3	96,116	80,91	G3/4", G1"	M5	5.5	71	60	22	30	32,40	15	203	170

XOF Series Air Filter

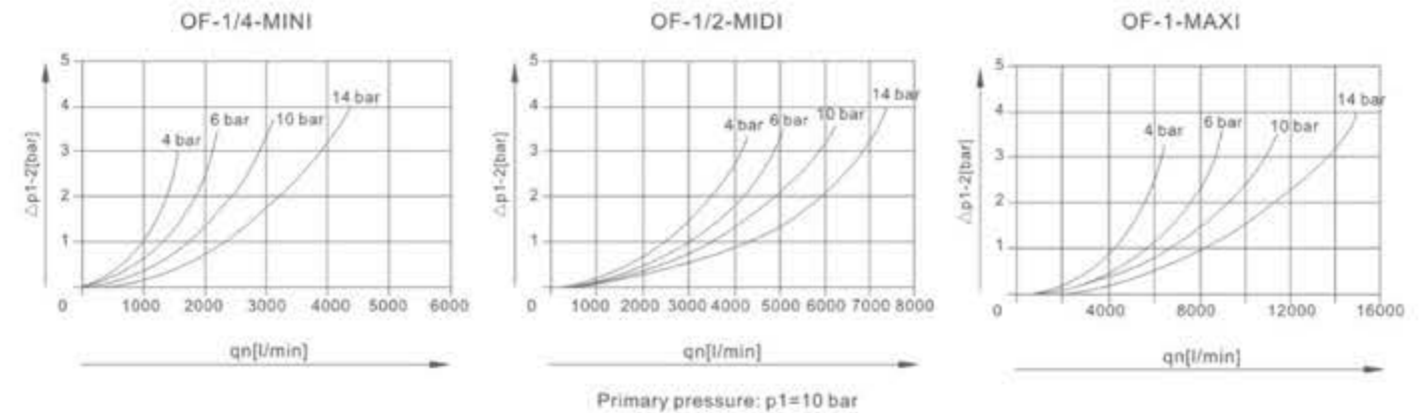
Internal structure



NO	Item	Material
1	Ornament cover(round)	POM
2	O-ring	NBR
3	Flange-IN	Zinc alloy
4	Filter element base	POM
5	Whirl wind impeller	POM
6	Filter element	PE
7	Manger	POM
8	Metal bowl guard	Aluminum alloy
9	Filter bowl	PC
10	O-ring	NBR
11	Inner joint	POM
12	Condensate drain	POM
13	OF Body	Zinc alloy
14	Flange-OUT	Zinc alloy
15	O-ring	NBR
16	Plug	POM
17	O-ring	NBR
18	Allen screw	S35C

Flow diagram

Standard flow rate qn as a function of the output pressure p2



XOL Series Lubricator



The direct constant-density lubricator add regulated quantity oil to the compressed air. A valve maintains oil mist content proportional to the compressed oil flow.

The pressure drop that occurs when the air flow through a sight feed oil cup delivers oil from the bowl to the sight oil indicator. The drop of the oil flows into the air channel when it is atomized.

The oil drop rate is controlled by means of the regulating screw. Normally, 1 to 12 drops/1000L of the air is sufficient.

Ordering Code

XO — **L** — **MINI** — **1/4**

Series
XO Series

Function code
Lubricator

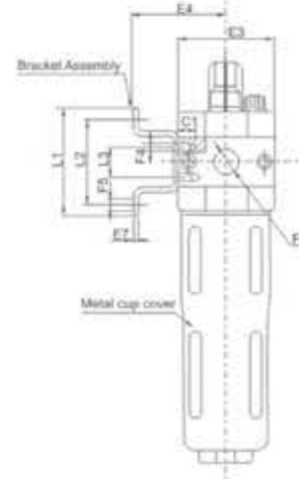
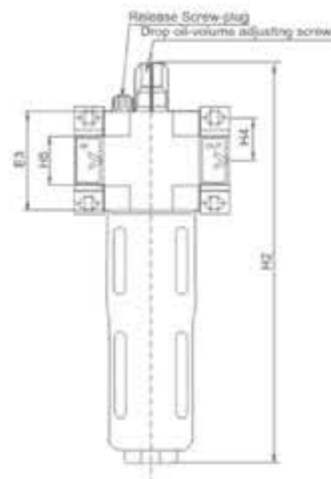
Body
MINI
MIDI
MAXI

Port Size
G1/8" G1/2"
G1/4" G3/4"
G3/8" G1"

Specification

Lubricators	MINI		MIDI		MAXI	
	XOL-1/8-MINI	XOL-1/4-MINI	XOL-3/8-MINI	XOL-1/2-MIDI	XOL-3/4-MIDI	XOL-1-MAXI
Medium	Compressed air					
Features of structure	Sintered filter with water separator The direct Constant-density Lubricator					
Mounting type	Pipe mounting or foot mounting					
Assembly position	Vertical ±5°					
Connection	G1/8"	G1/4"	G3/8"	G1/2"	G3/4"	G1"
Standard nominal flow rate	1300	2300	2700	5500	6100	9000
Max. Working pressure	16bar					
Min. Standard nominal flow rate	3 L/min		6 L/min		10 L/min	
Max. condensate capacity	22ml					
Temperature range	0-60°C					
Materials information	Housing: Zinc die-casting; Oil bowl and Drop cap: PC; Metal bowl guard: Aluminum alloy; Sealing: NBR					
Recommended oil	ISO VG 32 or the same grade					

Overall Dimensions



Graphic Symbol

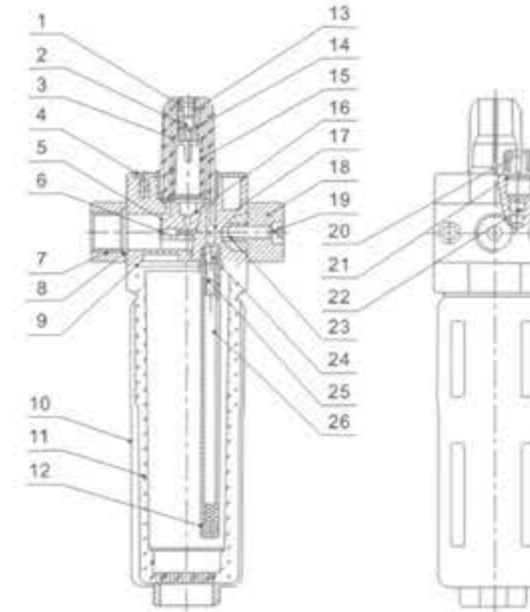


Dimension Sheet

Model	E3	E4	E7	F1	F4	F5	L1	L2	L3	H4	H5
XOL-...-MINI	40	39	2	G1/8", G1/4", G3/8"	M4	4.5	44	35	11	17.5	20
XOL-...-MIDI	55	47	3	G1/8", G1/2", G3/4"	M5	5.5	73	60	22	30	32
XOL-...-MAXI	66	53	3	G3/4", G1"	M5	5.5	73	60	22	30	32,40

XOL Series Lubricator

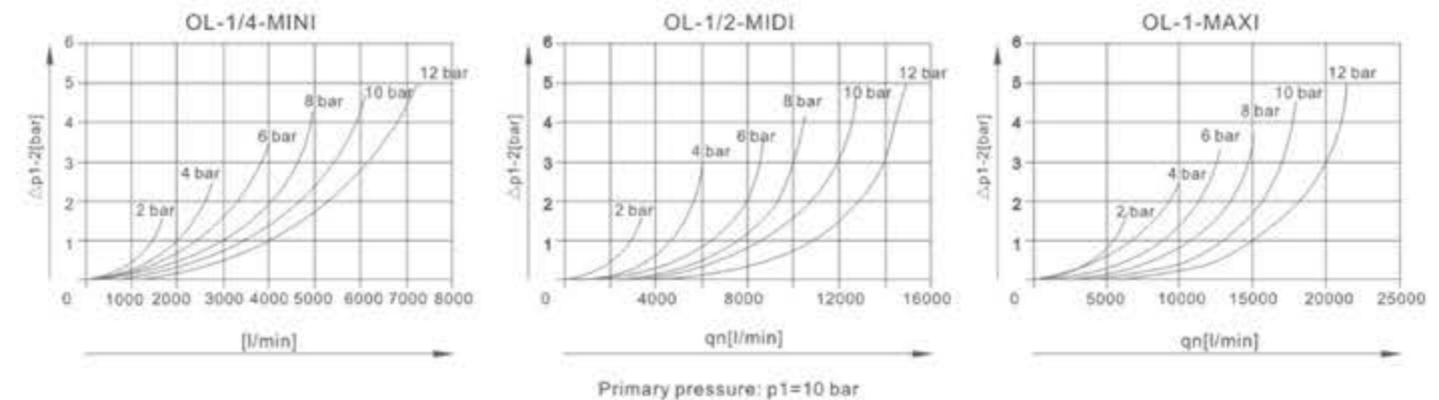
Internal structure



NO	Item	Material
1	Upper glass	PC
2	Adjust screw	Brass
3	O-ring	NBR
4	Ornament cover(circular)	PO
5	Windshield chip	NBR
6	Windshield base	Brass
7	Flange-IN	Zinc alloy
8	O-ring	NBR
9	O-ring	NBR
10	Metal bowl guard	Aluminum alloy
11	Lubricator bowl	PC
12	Oil-filter plug	Brass powder sintered
13	O-ring	NBR
14	Screw base	Brass
15	Oil dropping	PC
16	Seal piece	NBR
17	OL Body	Zinc alloy
18	Flange-OUT	Zinc alloy
19	Allen screw	S35C
20	Bleeder screw	POM
21	O-ring	NBR
22	Valve pin	Brass
23	Double-end bolt	SUS
24	Steel ball	SUS304
25	Oil tube connection	POM
26	Oil tube	PU

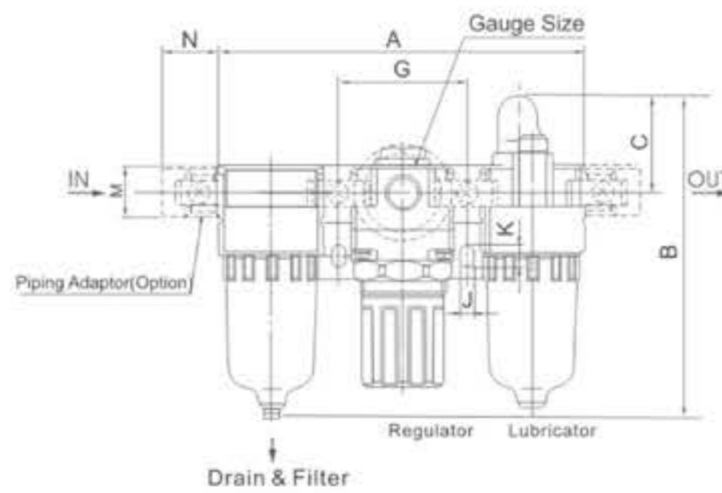
Flow diagram

Standard flow rate q_n as a function of the output pressure p_2

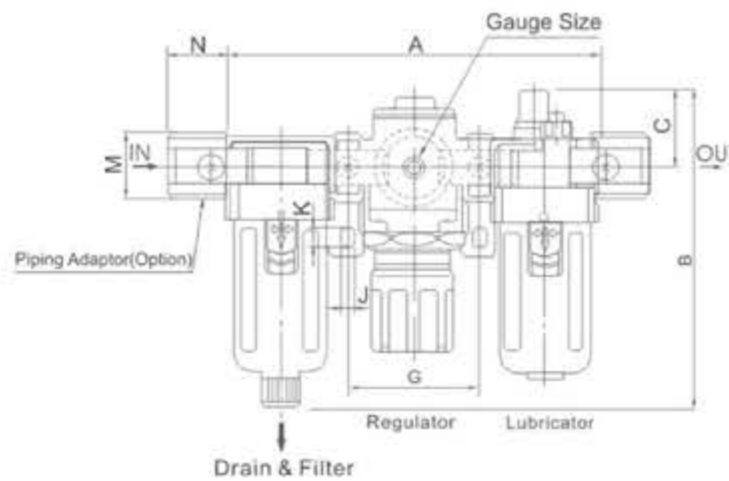


XAC1000~5000 Series Air Source Treatment Unit(F.R.L Combination)

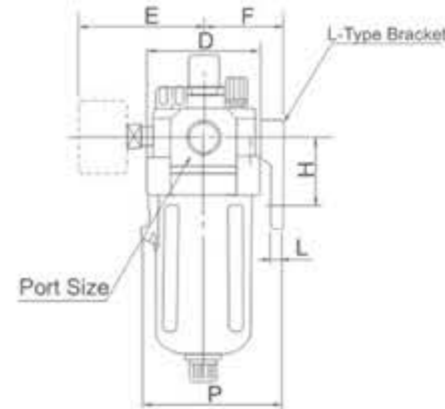
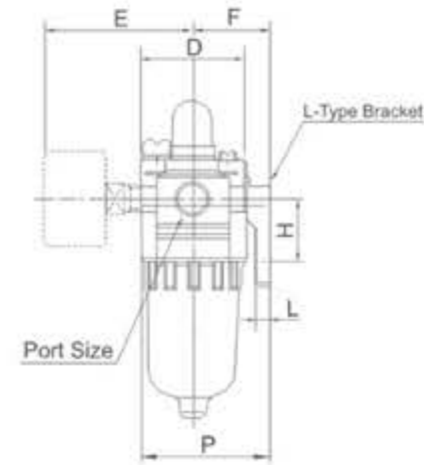
Overall Dimensions



XAC1000~2000



XAC3000~5000



Dimension Sheet

Model	Port Size (G)	A	B	C	D	E	F	G	H	J	K	L	M	N	P
XAC1000	M5	91	84.5	25.5	25	26	25	33	20	4.5	7.5	5	17.5	16	38.5
XAC2000	G1/8"~G1/4"	140	125	38	40	56.8	30	50	24	5.5	8.5	5	22	23	50
XAC3000	G1/4"~G3/8"	181	156.5	38	53	60.8	41	64	35	7	11	7	34.2	26	70.5
XAC4000	G3/8"~1/2"	238	191.5	41	70	65.5	50	84	40	9	13	7	42.2	33	88
XAC4000-06	G3/4"	253	193	40.5	70	69.5	50	89	40	9	13	7	46.2	36	88
XAC5000	G3/4"~G1"	300	271.5	48	90	75.5	70	105	50	12	16	10.5	55.5	40	115

XAC1010~5010 Series Air Source Treatment Unit(FR.L Combination)



Ordering Code

XA	C	4010	-	04	<input type="checkbox"/>	<input type="checkbox"/>
Series XA series	Function code F.R.L Combination	Body Size 1010 2010 3010 4010 5010		Port Size M5:M5 x 0.8 01:G1/8" 02:G1/4" 03:G3/8" 04:G1/2" 06:G3/4" 10:G1"	Drain Type Blank:Manual D:Auto Drain Type (Available for 2000 or above)	Metal Cup U: With Iron Cup L: With Aluminum Cup (Available for 2000)

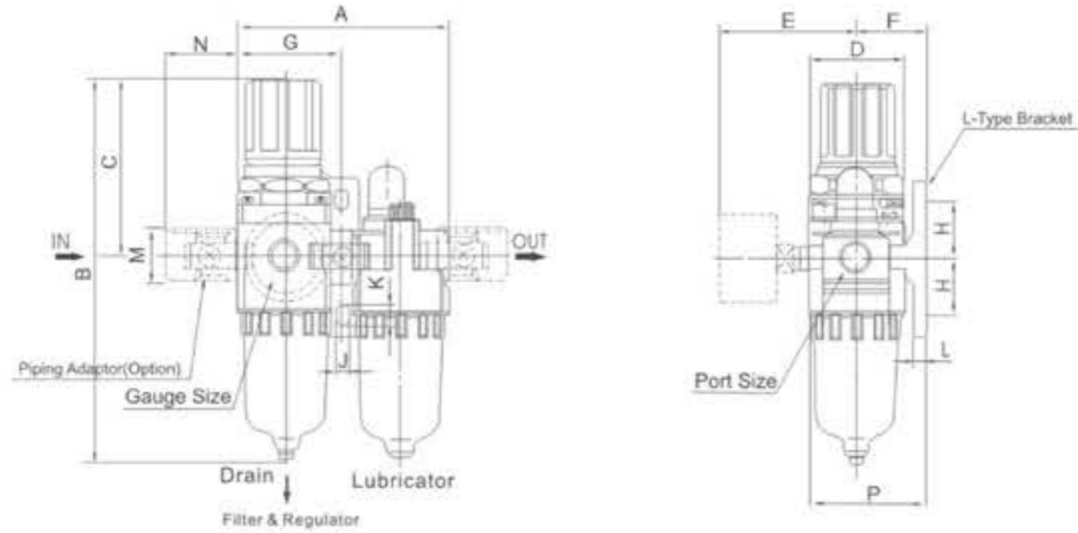
Specification

Model	XAC1010 -M5	XAC2010 -01	XAC2010 -02	XAC3010 -02	XAC3010 -03	XAC4010 -03	XAC4010 -04	XAC4010 -06	XAC5010 -06	XAC5010 -10
Rated Flow(L/min)	90	500	500	1700	1700	3000	3000	3000	4000	4000
Port Size	M5	G1/8"	G1/4"	G1/4"	G3/8"	G3/8"	G1/2"	G3/4"	G3/4"	G1"
Filter Precision	25 μ									
Highest Working Pressure	1.0MPa									
Ensured pressure Resistance	1.5MPa									
Operating Temperature Range	5~60°C									
Range of Adjustable Pressure	0.05~0.7MPa					0.05~0.85MPa				
Recommended Oil Use	ISO VG 32									
Container Material	Polycarbonate									
Protective Cover	Not Available					Available				
Drain Function	Differential Drain					Differential Drain, Automatic Drain				
Valve Type	With Over flow									
Composing Elements	Filter&Regulator	XAW1000-M5	XAW2000-01	XAW2000-02	XAW3000-02	XAW3000-03	XAW4000-03	XAW4000-04	XAW4000-06	XAW5000-06
	Lubricator	XAL1000-M5	XAL2000-01	XAL2000-02	XAL3000-02	XAL3000-03	XAL4000-03	XAL4000-04	XAL4000-06	XAL5000-06

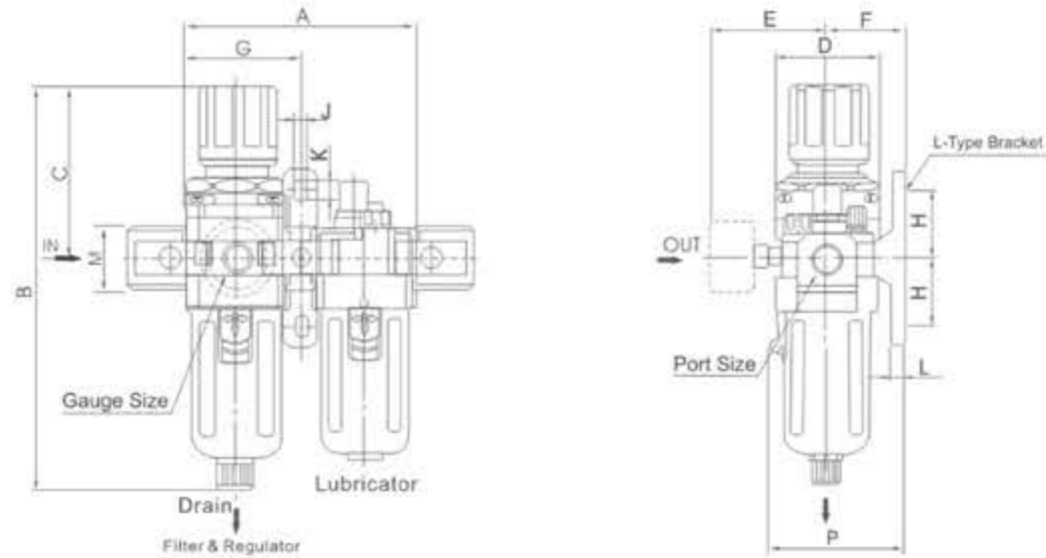
Note: We have upgraded Oil Drop Accessories on Lubricator of XA series 2000-5000 same to the XO series.

XAC1010~5010 Series Air Source Treatment Unit(FR.L Combination)

Overall Dimensions



XAC1010-2010



XAC3010-5010

Dimension Sheet

Model	Port Size (G)	A	B	C	D	E	F	G	H	J	K	L	M	N	P
XAC1010	M5	58	109.5	50.5	25	26	25	29	20	4.5	7.5	5	17.5	16	38.5
XAC2010	G1/8"~G1/4"	90	164.5	78	40	56.8	30	45	24	5.5	8.5	5	22	23	50
XAC3010	G1/4"~G3/8"	117	211	92.5	53	60.8	41	58.5	35	7	11	7	34.2	26	70.5
XAC4010	G3/8"~1/2"	154	262	112	70	70.5	50	77	40	9	13	7	42.2	33	88
XAC4010-06	G3/4"	164	267	114	70	70.5	50	82	40	9	13	7	46.2	36	88
XAC5010	G3/4"~G1"	195	338	116	90	75.5	69.8	97.5	50	12	16	10.5	55.5	40	115

XAF1000~5000 Series Air Filter

Ordering Code



XAF5000-10 XAF4000-04 XAF2000-02

Series	Function code	Body Size	Port Size	Drain Type	Metal Cup
XA series	F Filter	1000 2000 3000 4000 5000	M5:M5×0.8 01:G1/8" 02:G1/4" 03:G3/8" 04:G1/2" 06:G3/4" 10:G1"	Blank:Manual D:Auto Drain Type (Available for 2000 or above)	U: With Iron Cup L: With Aluminum Cup (Available for 2000)

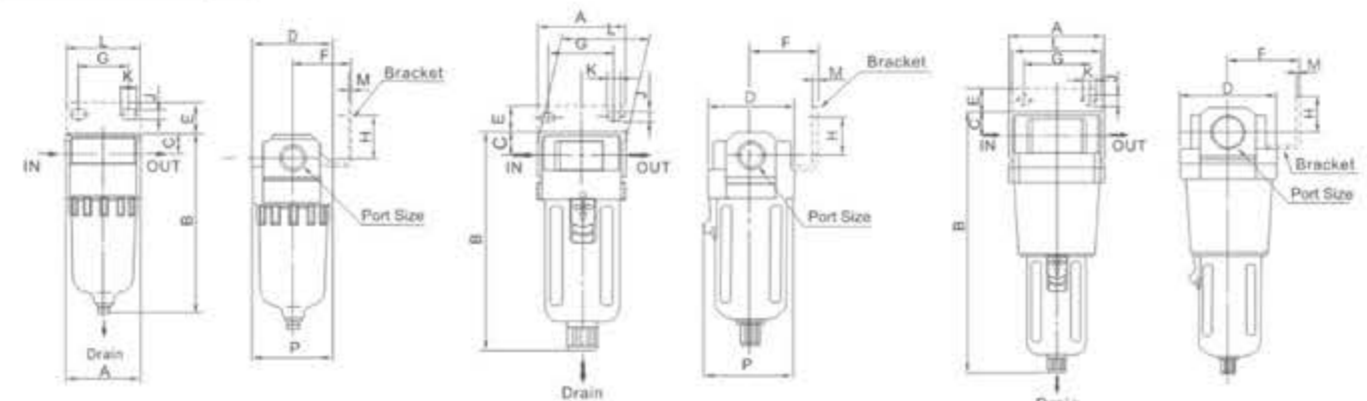
Graphic Symbol



Specification

Model	XAF1000-M5	XAF2000-01	XAF2000-02	XAF3000-02	XAF3000-03	XAF4000-03	XAF4000-04	XAF4000-06	XAF5000-06	XAF5000-10
Rated Flow(L/min)	110	750	750	1500	1500	4000	4000	6000	7000	7000
Port Size	M5	G1/8"	G1/4"	G1/4"	G3/8"	G3/8"	G1/2"	G3/4"	G3/4"	G1"
Filter Precision	25 μ									
Highest Working Pressure	1.0MPa									
Ensured pressure Resistance	1.5MPa									
Operating Temperature Range	5~60°C									
Container Material	Polycarbonate									
Protective Cover	Not Available					Available				
Drain Function	Differential Drain					Differential Drain, Automatic Drain				

Overall Dimensions



XAF1000-2000

XAF3000-4000

XAF5000

Dimension Sheet

Model	Port Size (G)	A	B	C	D	E	F	G	H	J	K	L	M	P
XAF1000	M5	25	66	7	25	-	-	-	-	-	-	-	-	26.5
XAF2000	G1/8"~G1/4"	40	97.5	11	40	17	30	27	22	5.4	8.4	40	2.3	40
XAF3000	G1/4"~G3/8"	53	132.5	14	53	16	41	40	23	6.5	8	53	2.3	56
XAF4000	G3/8"~1/2"	70	168.5	18	70	17	50	54	26	8.5	10.5	70	2.3	73
XAF4000-06	G3/4"	75	172.5	20	70	14	50	54	25	8.5	10.5	70	2.3	73
XAF5000	G3/4"~G1"	90	247.5	24	90	23	66.5	66	35	11	13	90	3.2	90

XAR 1000~5000 Series Regulator

Ordering Code

XA Series XA series
R Function code Regulator
4000 Specification Code
04 Port Size M5:M5×0.8
 01:G1/8"
 02:G1/4"
 03:G3/8"
 04:G1/2"
 06:G3/4"
 10:G1"

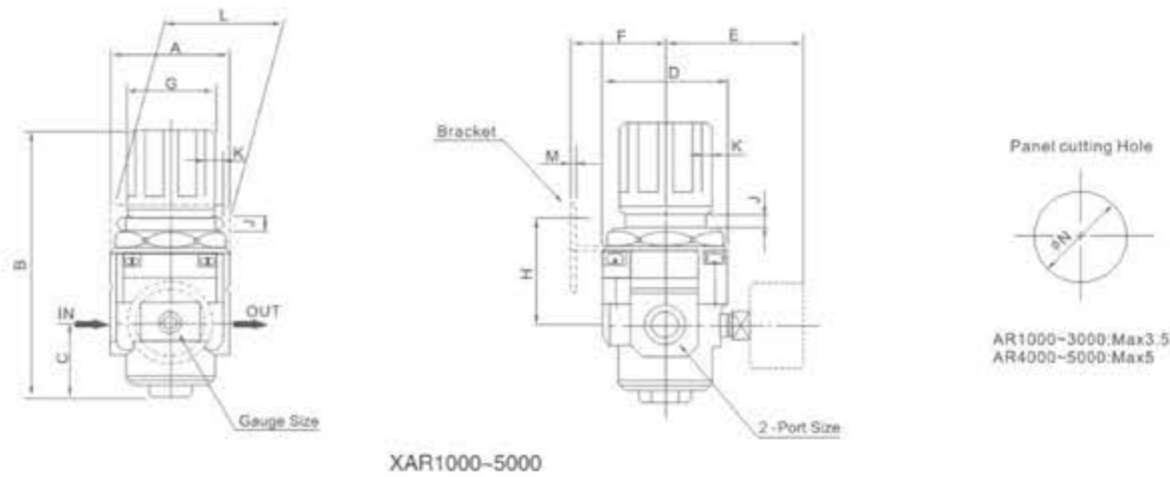
XAR5000-10 XAR4000-04 XAR2000-02



Specification

Model	XAR1000-M5	XAR2000-01	XAR2000-02	XAR3000-02	XAR3000-03	XAR4000-03	XAR4000-04	XAR4000-06	XAR5000-06	XAR5000-10
Rated Flow	100	550	550	2500	2500	6000	6000	6000	8000	8000
Port Size	M5	G1/8"	G1/4"	G1/4"	G3/8"	G3/8"	G1/2"	G3/4"	G3/4"	G1"
Highest Working Pressure	1.0MPa									
Ensured pressure Resistance	1.5MPa									
Operating Temperature Range	5~60℃									
Range of Adjustable Pressure	0.05~0.7MPa					0.05~0.85MPa				
Valve Type	With Overflow									

Overall Dimensions



XAR1000-5000

Dimension Sheet

Model	Port Size (G)	A	B	C	D	E	F	G	H	J	K	L	M	N
XAR1000	M5	25	61.5	11	25	26	25	28	30	4.5	6.5	40	2	20.5
XAR2000	G1/8"~G1/4"	40	95	17	40	56.8	30	34	44	5.4	15.4	55	2.3	33.5
XAR3000	G1/4"~G3/8"	53	127.5	35	53	80.8	41	40	46	6.5	8	53	2.3	42.5
XAR4000	G3/8"~1/2"	70	149.5	37.5	70	65.5	50	54	54	8.5	10.5	70	2.3	52.5
XAR4000-06	G3/4"	75	154	40.5	70	69.5	50	54	56	8.5	10.5	70	2.3	52.5
XAR5000	G3/4"~G1"	90	168	48	90	75.5	70	66	65.8	11	13	90	3.2	52.5

XAW 1000~5000 Series Filter & Regulator

Ordering Code

XA Series XA series
W Function code Filter & Regulator
4000 Specification Code
04 Port Size M5:M5×0.8
□ Drain Type Blank:Manual Drain Type
 D:Auto Drain Type (Available for 2000 or above)
□ Metal Cup U: With Iron Cup
 L: With Aluminum Cup (Available for 2000)

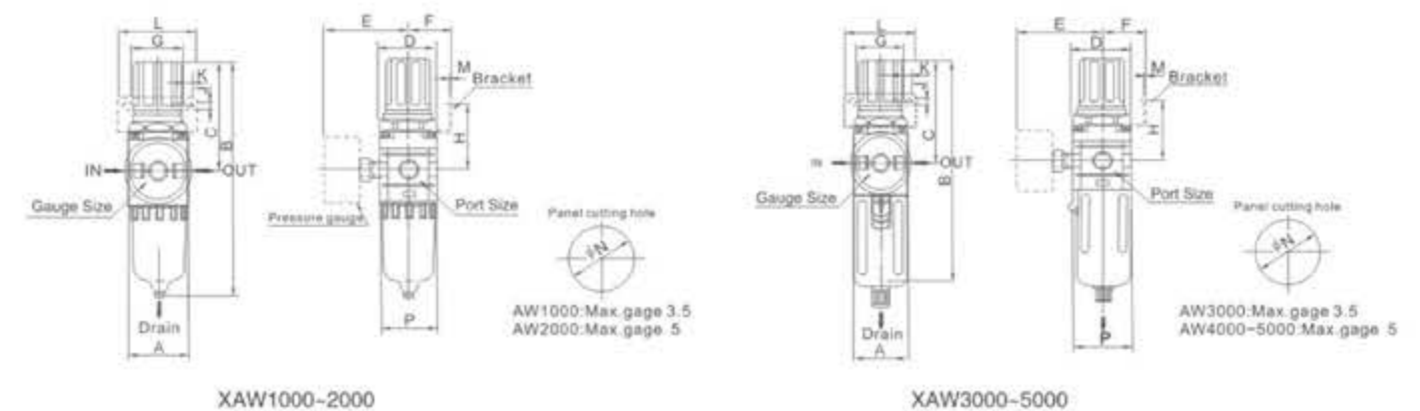
XAW5000-10 XAW4000-04 XAW2000-02



Specification

Model	XAW1000-M5	XAW2000-01	XAW2000-02	XAW3000-02	XAW3000-03	XAW4000-03	XAW4000-04	XAW4000-06	XAW5000-06	XAW5000-10
Rated Flow(L/min)	100	550	550	2000	2000	4000	4000	4500	5500	5500
Port Size	M5	G1/8"	G1/4"	G1/4"	G3/8"	G3/8"	G1/2"	G3/4"	G3/4"	G1"
Filter Precision	25 μ									
Highest Working Pressure	1.0MPa									
Ensured pressure Resistance	1.5MPa									
Operating Temperature Range	5~60℃									
Range of Adjustable Pressure	0.05~0.7MPa					0.05~0.85MPa				
Container Material	Polycarbonate									
Protective Cover	Not Available					Available				
Drain Function	Differential Drain					Differential Drain, Automatic Drain				
Valve Type	With Overflow									

Overall Dimensions



XAW1000-2000

XAW3000-5000

Dimension Sheet

Model	Port Size (G)	A	B	C	D	E	F	G	H	J	K	L	M	N	P
XAW1000	M5	25	109.5	50.5	25	26	25	28	30	4.5	6.5	40	2	20.5	28
XAW2000	G1/8"~G1/4"	40	164.5	78	40	56.8	30	34	43.5	5.4	15.4	55	2.3	33.5	40
XAW3000	G1/4"~G3/8"	53	211	92.5	53	80.8	41	40	46	6.5	8	53	2.3	42.5	56
XAW4000	G3/8"~1/2"	70	262	112	70	70.5	50	54	53.5	8.5	10.5	70	2.3	52.2	73
XAW4000-06	G3/4"	75	267	114	70	70.5	50	54	55.5	8.5	10.5	70	2.3	52.5	73
XAW5000	G3/4"~G1"	90	338	116	90	75.5	69.8	54	62	8.5	10.5	70	3.2	52.5	90

AFC,BFC Series Air Source Treatment Unit(FR.L Combination)

Ordering Code



BFC Series
AFC:Small Size
BFC:Middle Size

3000 Port Size
1500:G1/8"
2000:G1/4"
3000:G3/8"
4000:G1/2"

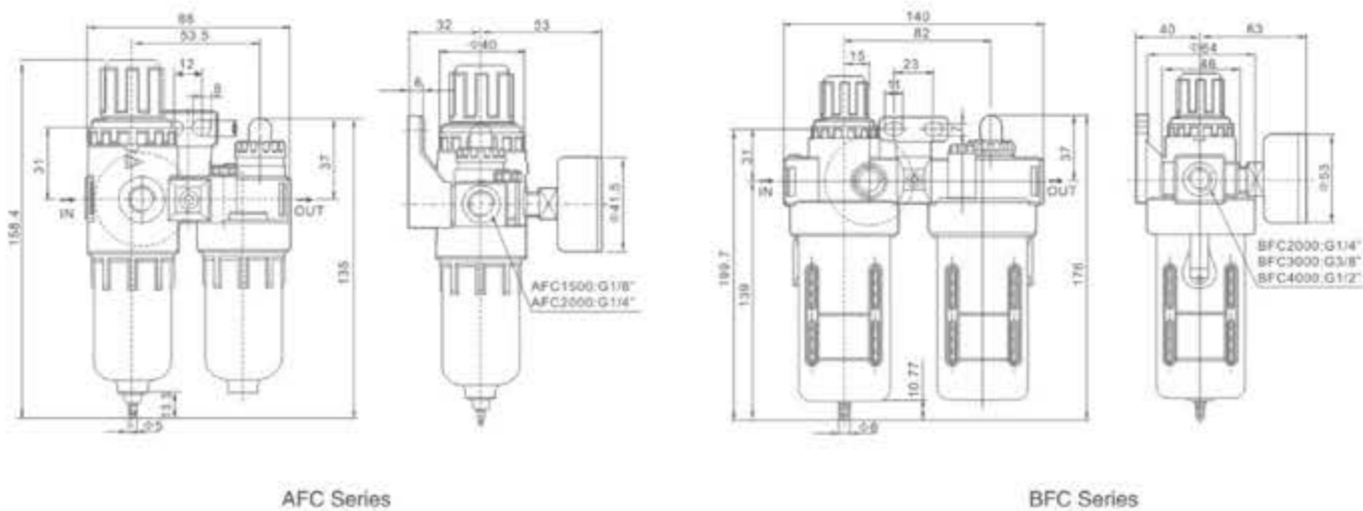
Drain Type
Blank:Manual Drain Type
D:Auto Drain Type

Graphic Symbol 

Specification

Model	AFC1500	AFC2000	BFC2000	BFC3000	BFC4000	
Operating Fluid	Air					
Port Size	G1/8"	G1/4"	G1/4"	G3/8"	G1/2"	
Filtering Element Reughness	40 μ					
Range of Adjustable Pressure	0.05-0.85MPa					
Max Adjustable Pressure	0.95MPa					
Ensured Pressure Resistance	1.5MPa					
Operating Temperature Range	5-60°C					
Capacity of Filter Cup	15 cc		60 cc			
Capacity of Oil Feed Cup	25 cc		90 cc			
Suggested Lube	ISO VG 32 or Same Grade Oil					
Material	Body	Aluminum Die-casting Forming				
	Container Cup	PE				
	Protective Cup Cover	-		Iron		
Composing Elements	Filter & Regulator	AFR1500	AFR2000	BFR2000	BFR3000	BFR4000
	Lubricator	AL1500	AL2000	BL2000	BL3000	BL4000

Overall Dimensions



AFR,BFR Series Filter&Regulator

Ordering Code



BFR Series
AFR:Small Size
BFR:Middle Size

3000 Port Size
1500:G1/8"
2000:G1/4"
3000:G3/8"
4000:G1/2"

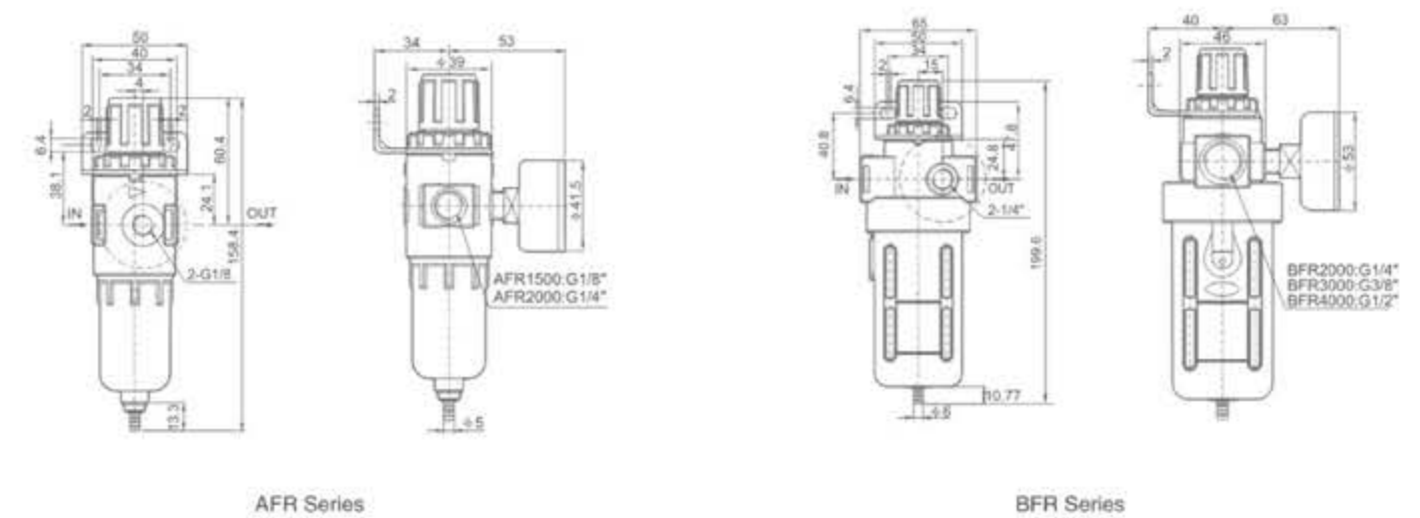
Drain Type
Blank:Manual Drain Type
D:Auto Drain Type

Graphic Symbol 

Specification

Model	AFR1500	AFR2000	BFR2000	BFR3000	BFR4000
Operating Fluid	Air				
Port Size	G1/8"	G1/4"	G1/4"	G3/8"	G1/2"
Range of Adjustable Pressure	0.05-0.85MPa				
Max Adjustable Pressure	0.95MPa				
Ensured Pressure Resistance	1.5MPa				
Operating Temperature Range	5-60°C				
Capacity of Filter Cup	15 cc			60 cc	
Material	Body	Aluminum Die-casting Forming			
	Container Cup	PE			
	Protective Cup Cover	-		Iron	

Overall Dimensions



AF, BF Series Air Filter

Ordering Code



BF4000



AF2000

BF

Series
AF: Small Size
BF: Middle Size

3000

Port Size
1500: G1/8"
2000: G1/4"
3000: G3/8"
4000: G1/2"

D

Drain Type
Blank: Manual Drain Type
D: Auto Drain Type

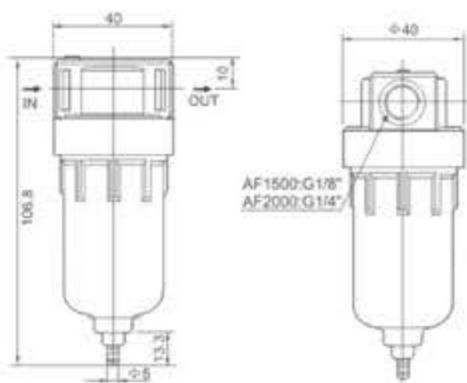
Graphic Symbol



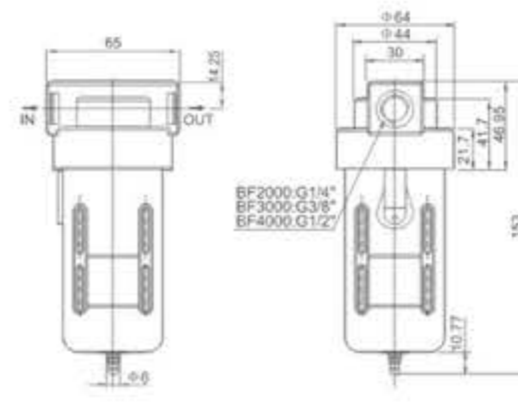
Specification

Model	AF1500	AF2000	BF2000	BF3000	BF4000
Operating Fluid	Air				
Port Size	G1/8"	G1/4"	G1/4"	G3/8"	G1/2"
Filtering Element Roughness	40 μ				
Ensured Pressure Resistance	1.5MPa				
Operating Temperature Range	5~60°C				
Capacity of Filter Cup	15 cc		60 cc		
Material	Body Aluminum Die-casting Forming				
	Container Cup PE				
	Protective Cup Cover Iron				

Overall Dimensions



AF Series



BF Series

AR, BR Series Regulator

Ordering Code



BR4000



AR2000

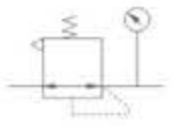
BR

Series
AR: Small Size
BR: Middle Size

2000

Port Size
1500: G1/8"
2000: G1/4"
3000: G3/8"
4000: G1/2"

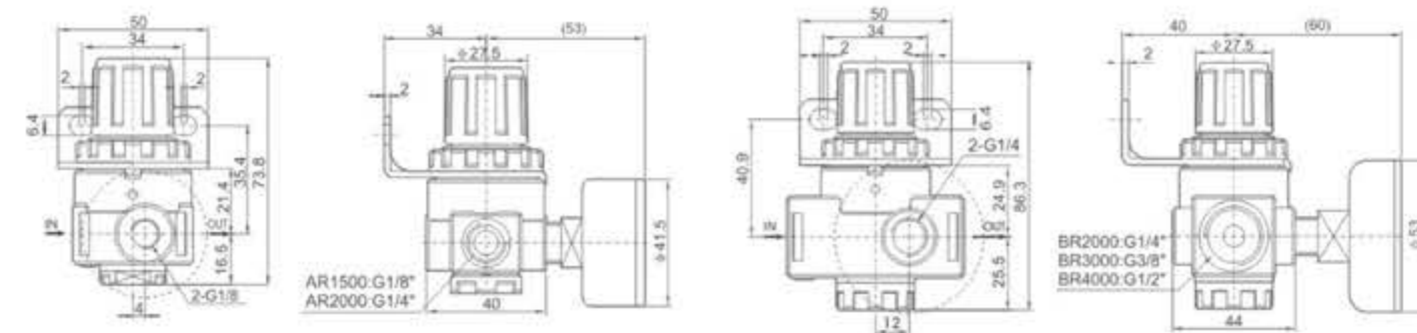
Graphic Symbol



Specification

Model	AR1500	AR2000	BR2000	BR3000	BR4000
Operating Fluid	Air				
Port Size	G1/8"	G1/4"	G1/4"	G3/8"	G1/2"
Range of Adjustable Pressure	0.05~0.85MPa				
Max. Adjustable Pressure	0.95MPa				
Ensured Pressure Resistance	1.5MPa				
Operating Temperature Range	5~60°C				
Material of Body	Aluminum Die-casting Forming				

Overall Dimensions



AR Series

BR Series

H Series High Pressure Filter & Regulator

NEW



QTYH-25

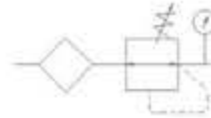
Ordering Code

QFRH — **15**

High pressure
Filter & Regulator

Connection
8:G1/4" 10:G3/8"
15:G1/2" 20:G3/4"
25:G1"

Graphic Symbol



Specification

Operating Fluid	Air
Filtering Element Roughness	20µm or 40µm
Range of Adjustable Pressure	0.15-3.5MPa
Max. Input pressure	4MPa
Operating Temperature Range	5-80°C

H Series High Pressure Regulator



QTYH-25

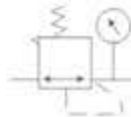
Ordering Code

QTYH — **15**

High pressure
Regulator

Connection
8:G1/4" 10:G3/8"
15:G1/2" 20:G3/4"
25:G1"

Graphic Symbol



Specification

Operating Fluid	Air
Range of Adjustable Pressure	0.05-3.5MPa
Max. Input pressure	4MPa
Operating Temperature Range	-25-80°C

H Series High Pressure Filter



QSLH-15

Ordering Code

QSLH — **15**

High Pressure
Filter

Ports Size
8:G1/4"
10:G3/8"
15:G1/2"
20:G3/4"
25:G1"

Graphic Symbol



Specification

Operating Fluid	Air
Filtering Element Roughness	20µm or 40µm
Working of Adjustable Pressure	0.15-3.5MPa
Max. Input pressure	4MPa
Operating Temperature Range	-25-80°C

PIR Series Precision Regulator



PIR2010-02

Port Size G1/8",G1/4",G3/8"
Standard Type, Auto Drain Type and Metal Cup as Optional.

Designed to be compact and light weight with high output flow and precise setting pressure, Can be mounted easily with bracket or assemble with XA series F.R.L.

Graphic Symbol



Ordering Code

PIR — **20** — **00** — **02**

Series
PIR series

Valve Body Size
10
20
30

Pressure Range
00(0.005-0.2Mpa)
10(0.05-0.4Mpa)
20(0.01-0.8Mpa)

Port Size
01:G1/8"
02:G1/4"
03:G3/8"
04:G1/2"

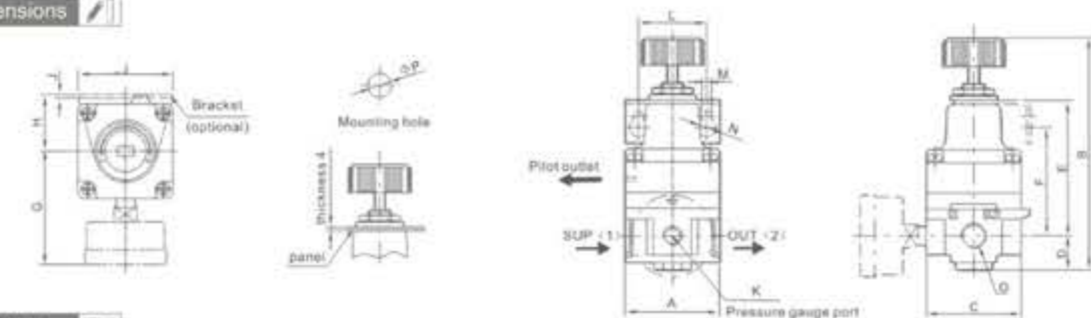
Order Example

- PIR Series, Valve Body: 20, Port Size: G1/4, Pressure Range: 10, Model: PIR-2010-02
- PIR Series, Valve Body: 30, Port Size: G1/2, Pressure Range: 20, Model: PIR-3010-04

Specification

Specification	PIR1000-01	PIR1010-01	PIR1020-01	PIR2000-02	PIR2010-02	PIR2020-02	PIR3000-03/04	PIR3010-03/04	PIR3020-03/04
Pressure Range	0.005-0.2	0.01-0.4	0.01-0.8	0.005-0.2	0.01-0.2	0.01-0.8	0.01-0.2	0.01-0.4	0.01-0.8
Port Size	G1/8			G1/4			G3/8, G1/2		
Air consumption	Max 3.5L/min			Max 3.1L/min			Max 9.5L/min	Outlet: Max 2L/min	
Minimum pressure	Setting pressure+0.05			Setting pressure+0.05			Setting pressure+0.05		
Maximum pressure	1.0MPa								
Sensitivity	Within 0.2% of full span								
Repeatability	Within ± 0.5% of full span								
Ambient and Fluid Temperature	-5--+60 (with no freezing)								
Pressure Gauge Port	G1/8								

Overall Dimensions



Dimension Sheet

Model	A	B	C	D	E	F	G	H	I	J	K	L	M	N	O	P
PIR1000-01	35	90	35	10	51	44	43	25	42	2	G1/8	28	4.5	φ8.5	G1/8	φ10.5
PIR1010-01	35	90	35	10	51	44	43	25	42	2	G1/8	28	4.5	φ8.5	G1/8	φ10.5
PIR1020-01	35	90	35	10	51	44	43	25	42	2	G1/8	28	4.5	φ8.5	G1/8	φ10.5
PIR2000-02	50	123	50	18	71	63	60	30	50	2	G1/8	36	5.5	φ9.5	G1/8	φ12.5
PIR2010-02	50	123	50	18	71	63	60	30	50	2	G1/8	36	5.5	φ9.5	G1/8	φ12.5
PIR2020-02	50	123	50	18	71	63	60	30	50	2	G1/8	36	5.5	φ9.5	G1/8	φ12.5
PIR3000-03	66	148	66	22	76	76	68	48	82	2.3	G1/8	60	9	φ15.5	G3/8	φ12.5
PIR3010-03	66	148	66	22	76	76	68	48	82	2.3	G1/8	60	9	φ15.5	G1/2	φ12.5
PIR3020-03	66	148	66	22	76	76	68	48	82	2.3	G1/8	60	9	φ15.5		φ12.5

4V、3V200 Series Solenoid Valve,4A、3A 200 Series Pneumatic Control Valve



4A210-08

4V210-08

3A220-08

3V220-08

Ordering Code

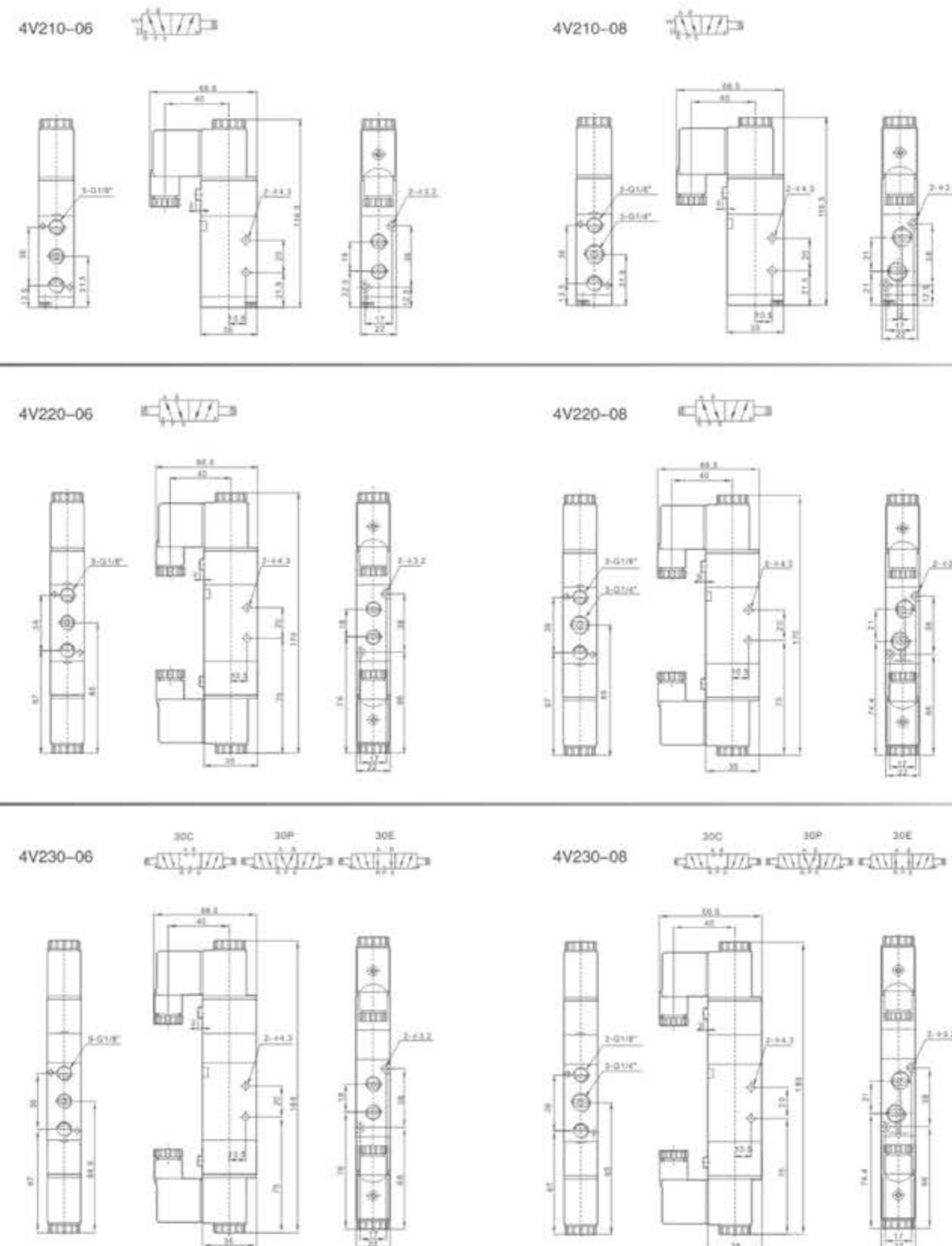
4V	2	10	08	AC220V		
Specification Code 4V:Two(Three)-position Five-way Solenoid Valve 4A:Two(Three)-position Five- way pneumatic control valve 3V:Two-position Three-way Solenoid Valve 3A:Two-position Three-way Pneumatic Control Valve	Series Code 200 Series	Coil and Places 10:Single-head double- position 20:Double-head double- position 30C:Double-head Three- position Close Type 30E:Double-head Three- position Exhaust Type 30P:Double-head Three- position Pressure Type	Port Size 06:G1/8" 08:G1/4"	Port connection and Initial State NC:Two-position Three-way Normal Close Type NO:Two-position Three-way Normal Open Type	Standard Voltage DC12V DC24V AC24V 50Hz/60Hz AC110V 50Hz/60Hz AC220V 50Hz/60Hz AC380V 50Hz/60Hz	Wiring Form Blank:Standard Connector LD:Brown With Lighting Connector LD1:White With Lighting Connector W:Lead Wire Type

Specification

Model	4V210-06	4V220-06	4V230C-06	4V230E-06	4V230P-06	4V210-08	4V220-08	4V230C-08	4V230E-08	4V230P-08
Position and Way NO.	Two-position Five-way		Three-position Five-way			Two-position Five-way		Three-position Five-way		
Effective Sectional Area	14mm ² (CV=0.78)		12mm ² (CV=0.67)			16mm ² (CV=0.89)		12mm ² (CV=0.67)		
Model	3V210-06	3V220-06	3A210-06	3A220-06	3V210-08	3V220-08	3A210-08	3A220-08		
Position and Way NO.	Two-position Three-way				Two-position Three-way					
Effective Section Area	14mm ² (CV=0.78)				16mm ² (CV=0.89)					
Joint Pipe Bore	Air Inlet=Air Outlet=Exhaust=G1/8"				Air Inlet=Air Outlet 1/4" Exhaust=G1/8"					
Working Medium	40 Micron Filtered Air									
Motion Pattern	Inner Guide Type									
Working-pressure	0.15~0.8 M Pa									
Max. Pressure Resistance	1.2MPa									
Operating Temperature	5~50°C									
Voltage Range	±10%									
Power Consumption	AC: 2.5VA DC: 2.5W									
Insulation & Protection Class	F Class, IP65									
Wiring Form	Lead Wire or Connector type									
Highest Action Frequency	5 Cycle / Sec									
Shortest Excitation Time	0.05 Second									

4V、3V200 Series Solenoid Valve,4A、3A200 Series Pneumatic Control Valve

Overall Dimensions



4V、3V300 Series Solenoid Valve, 4A、3A 300 Series Pneumatic Control Valve



Ordering Code

4V	3	10	10	AC220V		
Specification Code 4V:Two(Three)-position Five-way Solenoid Valve 4A:Two(Three)-position Five- way pneumatic control Valve 3V:Two-position Three-way Solenoid Valve 3A:Two-position Three-way Pneumatic Control Valve	Series Code 300 Series	Coil and Places 10:Single-head Double-position 20:Double-head Double-position 30C:Double-head Three-position Close Type 30E:Double-head Three-position Exhaust Type 30P:Double-head Three-position Pressure Type	Port Size 08:G1/4" 10:G3/8"	Port connection and Initial State NC:Two-position Three- way Normal Close Type NO:Two-position Three- way Normal Open Type	Standard Voltage DC12V DC24V AC24V 50Hz/60Hz AC110V 50Hz/60Hz AC220V 50Hz/60Hz AC380V 50Hz/60Hz	Wiring Form Blank:Standard Connector LD:Brown With Lighting Connector LD1:White With Lighting Connector W:Lead Wire Type

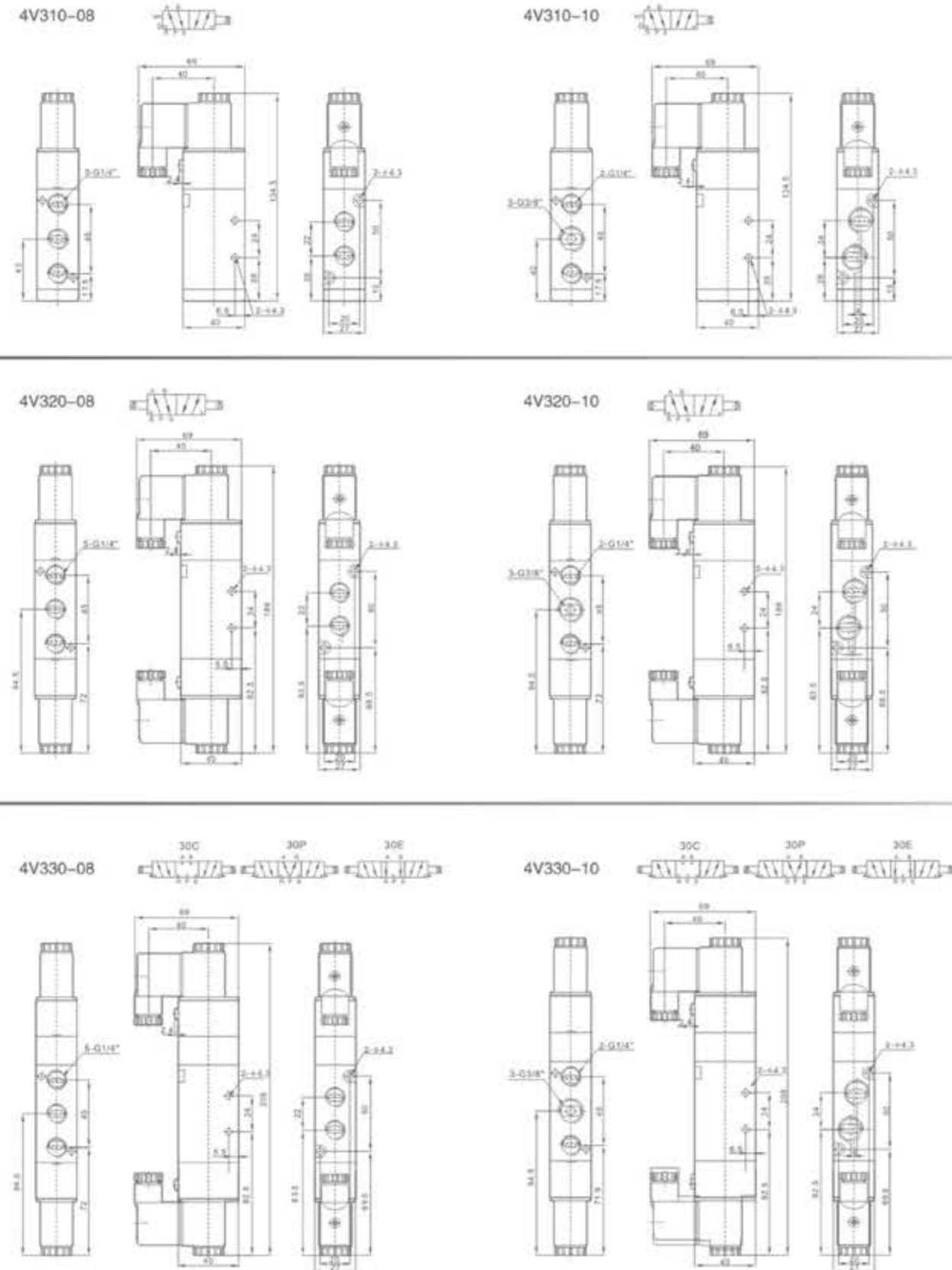
Specification

Model	4V310-08	4V320-08	4V330C-08	4V330E-08	4V330P-08	4V310-10	4V320-10	4V330C-10	4V330E-10	4V330P-10
Position and Way NO.	Two-position Five-way		Three-position Five-way			Two-position Five-way		Three-position Five-way		
Effective Sectional Area	25mm ² (CV=1.40)		18mm ² (CV=1.00)			30mm ² (CV=1.68)		18mm ² (CV=1.00)		

Model	3V310-08	3V320-08	3A310-08	3A320-08	3V310-10	3V320-10	3A310-10	3A320-10
Position and Way NO.	Two-position Three-way				Two-position Three-way			
Effective Section Area	25mm ² (CV=1.40)				30mm ² (CV=1.68)			
Joint Pipe Bore	Air Inlet=Air Outlet=Exhaust=G1/4"				Air Inlet=Air Outlet=3/8" Exhaust=G1/4"			
Working Medium	40 Micron Filtered Air							
Motion Pattern	Inner Guide Type							
Working-pressure	0.15~0.8 M Pa							
Max. Pressure Resistance	1.2MPa							
Operating Temperature	5~50°C							
Voltage Range	±10%							
Power Consumption	AC: 4.5VA DC: 3W							
Insulation & Protection Class	F Class, IP65							
Wiring Form	Lead Wire or Connector Type							
Highest Action Frequency	5 Cycle / Sec							
Shortest Excitation Time	0.05 Second							

4V、3V300 Series Solenoid Valve, 4A、3A300 Series Pneumatic Control Valve

Overall Dimensions



4V、3V400 Series Solenoid Valve, 4A、3A 400 Series Pneumatic Control Valve



Ordering Code

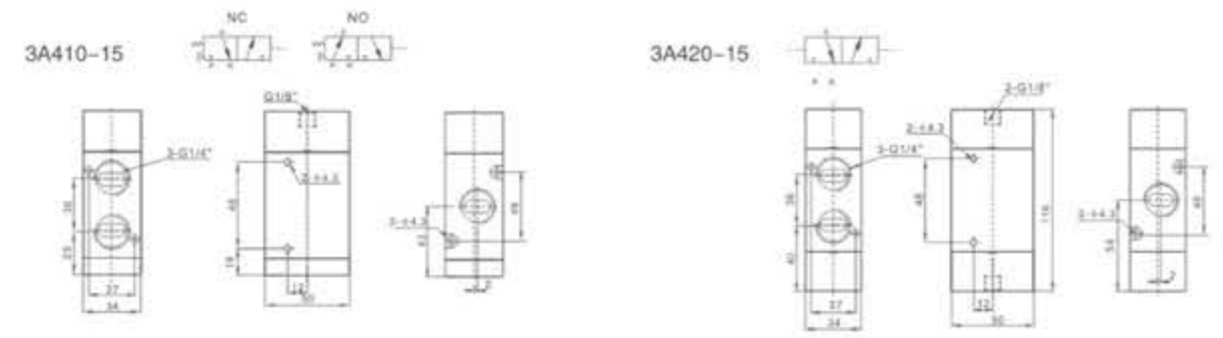
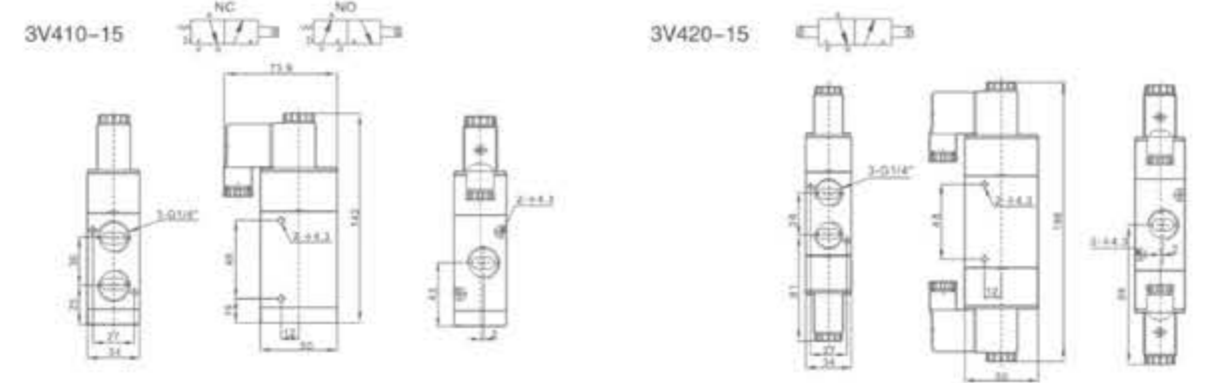
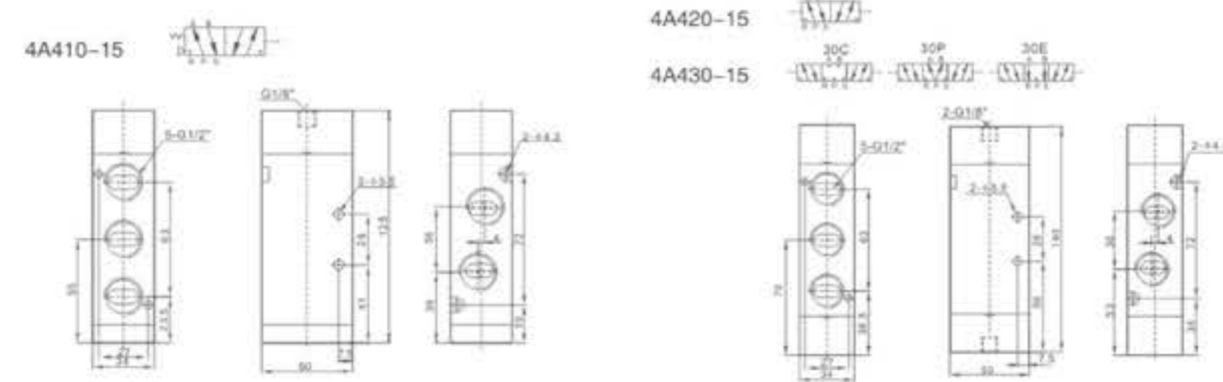
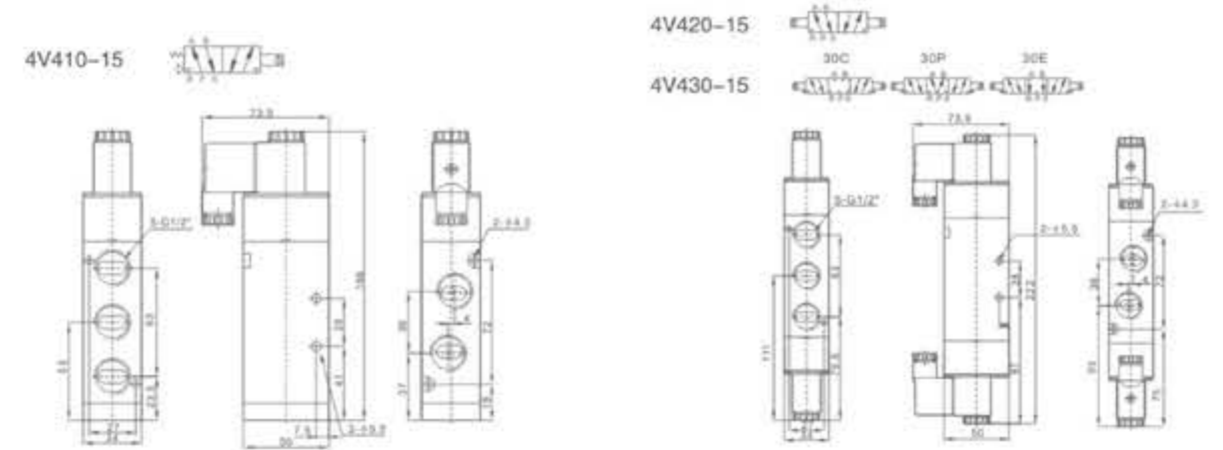
4V	4	10	10	AC220V		
Specification Code 4V: Two(Three)-position Five-way Solenoid Valve 4A: Two(Three)-position Five- way Pneumatic control Valve 3V: Two-position Three-way Solenoid Valve 3A: Two-position Three-way Pneumatic Control Valve	Series Code 400 Series	Coil and Places 10: Single-head Double-position 20: Double-head Double-position 30C: Double-head Three-position Close Type 30E: Double-head Three-position Exhaust Type 30P: Double-head Three-position Pressure Type	Port Size 10: G3/8" 15: G1/2"	Port connection and Initial State NC: Two-position Three- way Normal Close Type NO: Two-position Three- way Normal Open Type	Standard Voltage DC12V DC24V AC24V 50Hz/60Hz AC110V 50Hz/60Hz AC220V 50Hz/60Hz AC380V 50Hz/60Hz	Wiring Form Blank: Standard Connector LD: Brown With Lighting Connector LD1: White With Lighting Connector W: Lead Wire Type

Specification

Model	4V410-15	4V420-15	4V430C-15	4V430E-15	4V430P-15
Position and Way NO.	Two-position Five-way		Three-position Five-way		
Effective Sectional Area	50mm ² (CV=2.79)		30mm ² (CV=1.68)		
Model	3V410-15	3V420-15	3A410-15	3A420-15	
Position and Way NO.	Two-position Three-way				
Effective Section Area	50mm ² (CV=2.79)				
Joint Pipe Bore	Air Inlet=Air Outlet=Exhaust=G1/2"				
Working Medium	40 Micron Filtered Air				
Motion Pattern	Inner Guide Type				
Working-pressure	0.15~0.8 MPa				
Max. Pressure Resistance	1.2MPa				
Operating Temperature	5~50°C				
Voltage Range	±10%				
Power Consumption	AC: 4.5VA DC: 3W				
Insulation & Protection Class	F Class, IP65				
Wiring Form	Lead Wire or Connector Type				
Highest Action Frequency	5 Cycle / Sec				
Shortest Excitation Time	0.05 Second				

4V、3V400 Series Solenoid Valve, 4A、3A 400 Series Pneumatic Control Valve

Overall Dimensions



4M Series Plate Type Valve



4M210-08



4M310-10



4M220-08

Ordering Code

4M — **2** — **10** — **06** — **AC220V** —

Specification Code
 4M: Two-position
 Five-way Plate Type
 Valve

Body Size
 2: 1/8" and 1/4"
 Valve body
 3: 1/4" and 3/8"
 Valve body

Coil and Places
 10: Single-head
 Double-position
 20: Double-head
 Double-position

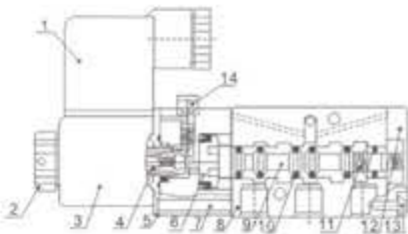
Port Size
 06: G1/8"
 08: G1/4"
 10: G3/8"

Standard Voltage
 DC12V
 DC24V
 AC24V 50Hz/60Hz
 AC110V 50Hz/60Hz
 AC220V 50Hz/60Hz
 AC380V 50Hz/60Hz

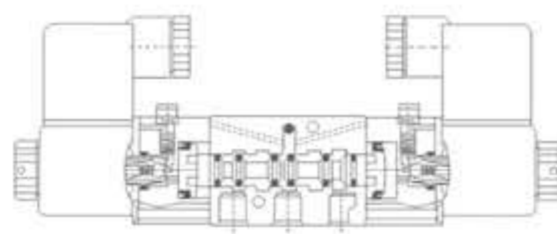
Wiring Form
 Blank: Standard
 Connector
 LD: Brown With
 Lighting Connector
 LD1: White With
 Lighting Connector
 W: Lead Wire Type

Graphic Symbol

Internal structure



4M 210-310



4M 220-320

NO	Designation	NO	Designation
1	Connector	8	Valve body
2	Nut	9	Spool
3	Coil	10	O-Ring
4	Pilot units	11	Spring
5	Plate	12	Rear cover
6	Piston	13	Screw
7	Screw	14	Manual override

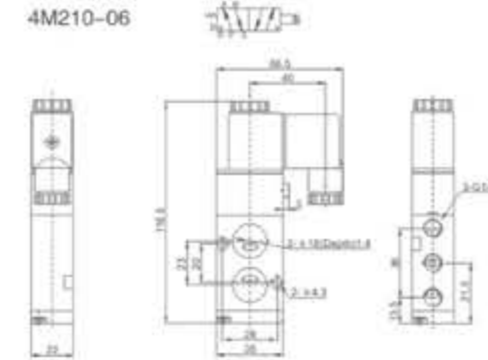
Specification

Model	4M210-06	4M220-06	4M210-08	4M220-08	4M310-08	4M320-08	4M310-10	4M320-10
Working Medium	40 Micron Filtered Air							
Motion Pattern	Inner Guide Type							
Position and Way NO.	Two-position Five-way							
Effective Section Area	14mm ² (CV=0.78)	16mm ² (CV=0.89)	25mm ² (CV=1.39)	30mm ² (CV=1.67)				
Port Size	Air Inlet=Exhaust=G1/8"	Air Inlet=G1/4"/Exhaust=G1/8"	Air Inlet=Exhaust=G1/4"	Air Inlet=G3/8"/Exhaust=G1/4"				
Lubricate	Not Necessary							
Working-Pressure	0.15-0.8MPa							
Max.Pressure Resistance	1.2MPa							
Operating Temperature	5-60°C							
Voltage Range	-15%~+10%							
Power Consumption	AC380V:2.5VA,AC220V:2.0VA,AC110V:2.5VA,AC24V:3.5VA,DC24V:3.0W,DC12V:2.5W							
Insulation & Protection Class	F Class IP65							
Wiring Form	Lead wire or Connector Type							
Highest Action Frequency	5 Cycle / Sec							
Shortest Excitation Time	0.05 Second							

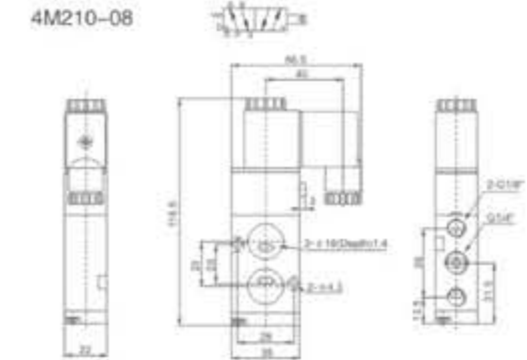
4M Series Plate Type Valve

Overall Dimensions

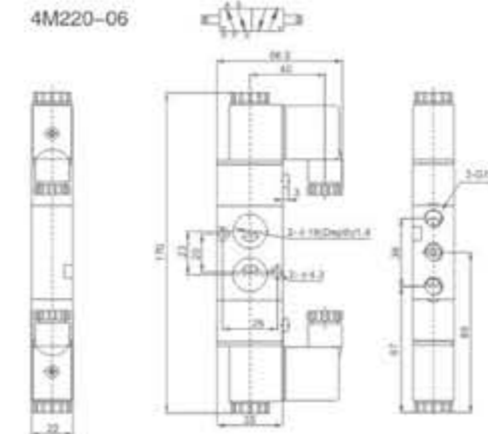
4M210-06



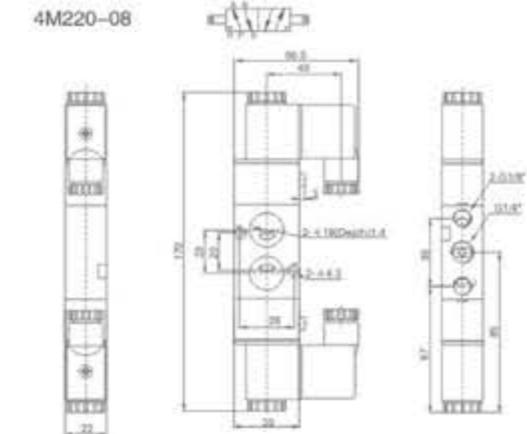
4M210-08



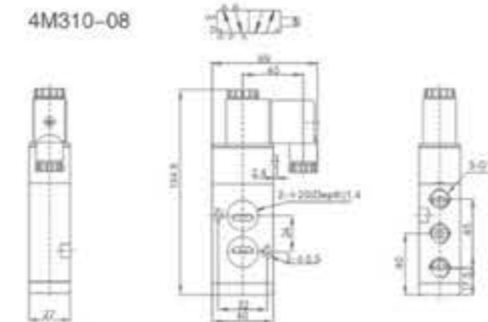
4M220-06



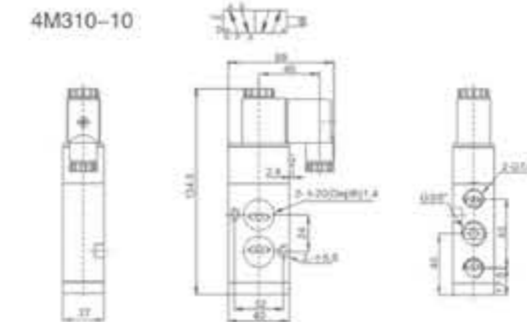
4M220-08



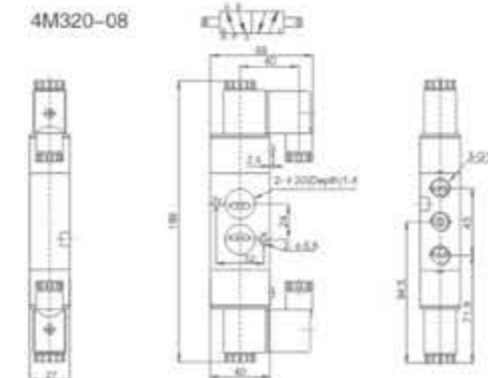
4M310-08



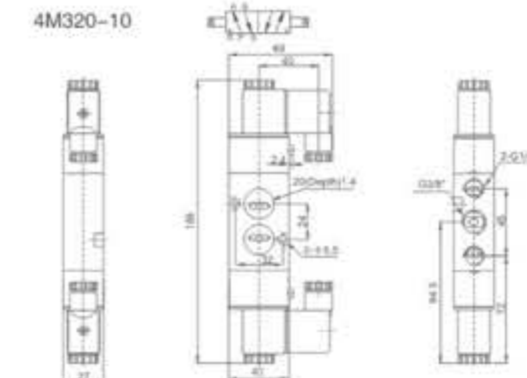
4M310-10



4M320-08



4M320-10



3V1 Series Solenoid Valve



3V1-06

Ordering Code

3V 1 06 - B - AC220V - □

Specification Code
3V: Two-position
Three-way
Solenoid Valve

Port Size
M5: M5×0.8
06: G1/8"

Standard Voltage
DC12v
DC24v
AC24v 50Hz/60Hz
AC110v 50Hz/60Hz
AC220v 50Hz/60Hz
AC380v 50Hz/60Hz

Wiring Form
Blank: Standard
Connector
G: Lead Wire
Type
L: With Lighting
Connector

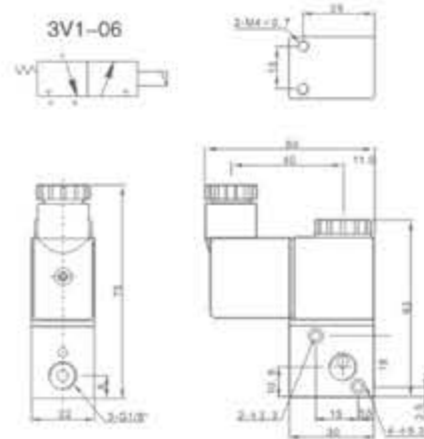
Series Code
100 Series

Connecting Type
Blank: Pipe Connection Type
B: Plate Connection Type

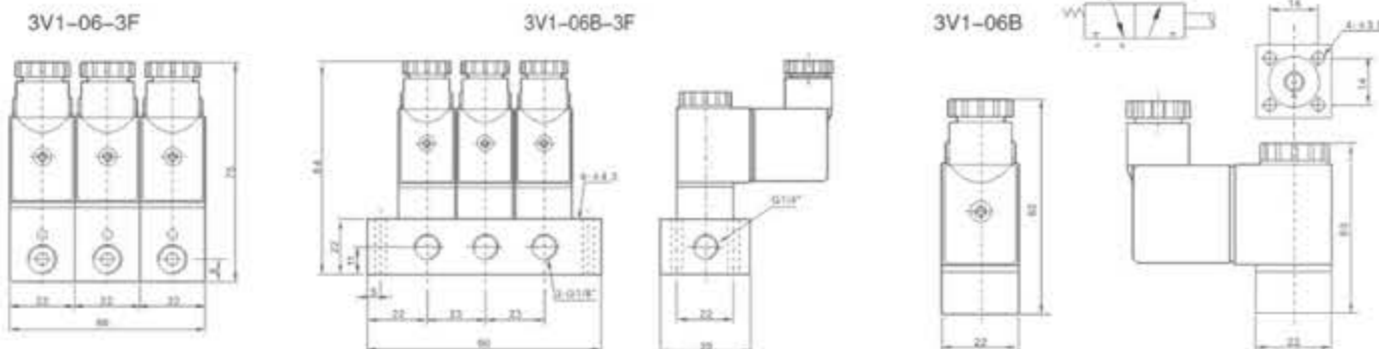
Specification

Model	3V1-M5	3V1-06
Working Medium	40 Micron Filtered Air	
Motion Pattern	Direct Drive Type	
Joint Pipe Bore	M5	1/8"
Ambient Temperature	-10~+60°C	
Gas Temperature	5~60°C	
Air Outlet Diameter	1.0mm	
Lubrication	Not Necessary	
Working-pressure	0~0.8MPa	
Max. Pressure Resistance	1.2MPa	
Power Consumption	AC:4.5VA DC:3.0W	
Protect Class	IP65	
Power Connection Form	Gord	
Material of Body	Aluminum alloy	
Highest Action Frequency	10Cycle / Sec	
Insulation	F Class	
Voltage Range	±10%	
Shortest Excitation Time	0.05 Second	

Overall Dimensions



Overall Dimensions



Base For 4V, 4A Series Valve



Ordering Code

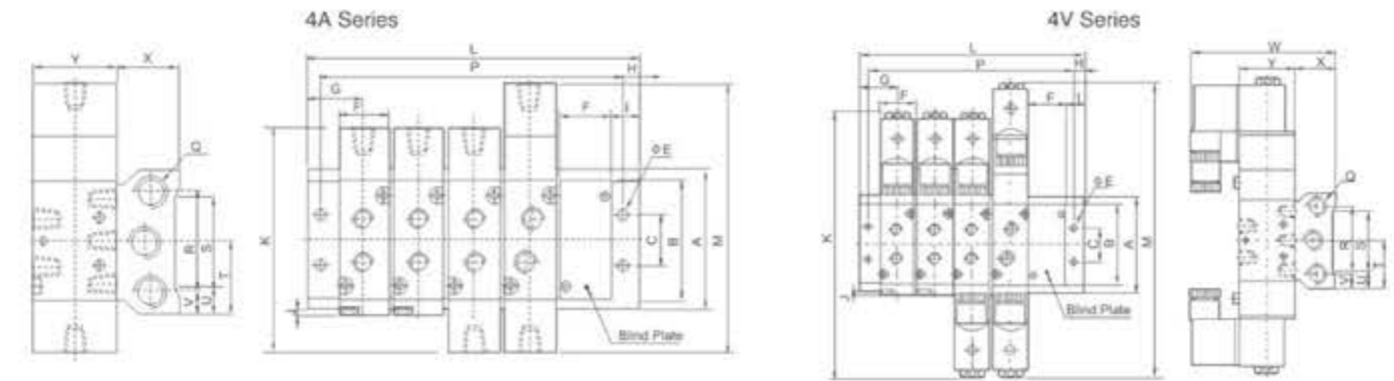
4V - 100M - □F

Series Code
4V: For 4V Series uses
4A: For 4A Series uses

Specification Code
100M: Base for 100 Series Use
200M: Base for 200 Series Use
300M: Base for 300 Series Use
400M: Base for 400 Series Use

Joint Base Number
100M: Wantonly Joint
200M: Wantonly Joint
300M: Wantonly Joint
400M: Wantonly Joint

Overall Dimensions



Dimension Sheet(4A Series)

Model	A	B	C	E	F	G	H	I	J	K	L															
											1F	2F	3F	4F	5F	6F	7F	8F	9F	10F	11F	12F	13F	14F	15F	16F
100M-□ F	58	43.2	20	4.5	18.3	19	5	10	0.8	139.4	38	57	76	95	114	133	152	171	190	209	228	247	266	285	304	323
200M-□ F	61	50.7	21	4.5	22.4	23	6	12	1.2	170	46	69	92	115	138	161	184	207	230	253	276	299	322	345	368	391
300M-□ F	75	64.8	26	4.5	27.3	27	6	13.5	2.5	188.8	54	82	110	138	166	194	22	250	278	306	334	362	-	-	-	-
400M-□ F	104	94.5	32	5.5	34.3	31.5	7	14.5	5	221.8	63	98	133	168	203	238	273	-	-	-	-	-	-	-	-	-

Model	M	P																Q	R	S	T	U	V	W	X	Y
		1F	2F	3F	4F	5F	6F	7F	8F	9F	10F	11F	12F	13F	14F	15F	16F									
100M-□ F	154.5	28	47	66	85	104	123	142	161	180	199	218	237	256	275	294	313	G1/4"	40	30	29	14	9	79	25	27
200M-□ F	189	34	57	80	103	126	149	172	195	218	241	264	287	310	333	356	379	G1/4"	43	32	30.5	14.5	9	93	26	35
300M-□ F	208	42	70	98	126	154	182	210	238	266	294	322	350	-	-	-	-	G3/8"	53	48	37.5	13.5	11	99.5	30	40
400M-□ F	243	49	84	119	154	189	224	259	-	-	-	-	-	-	-	-	-	G1/2"	68	67	52	18.5	18	112.5	38	50

Dimension Sheet(4V Series)

Model	A	B	C	E	F	G	H	I	J	K	L															
											1F	2F	3F	4F	5F	6F	7F	8F	9F	10F	11F	12F	13F	14F	15F	16F
100M-□ F	58	43.2	20	4.5	18.3	19	5	10	0.8	81	38	57	76	95	114	133	152	171	190	209	228	247	266	285	304	323
200M-□ F	61	50.7	21	4.5	22.4	23	6	12	1.2	92	46	69	92	115	138	161	184	207	230	253	276	299	322	345	368	391
300M-□ F	75	64.8	26	4.5	27.3	27	6	13.5	2.5	111	54	82	110	138	166	194	22	250	278	306	334	362	-	-	-	-
400M-□ F	104	94.5	32	5.5	34.3	31.5	7	14.5	5	142	71	98	133	168	203	238	273	-	-	-	-	-	-	-	-	-

Model	M	P																Q	R	S	T	U	V	X	Y
		1F	2F	3F	4F	5F	6F	7F	8F	9F	10F	11F	12F	13F	14F	15F	16F								
100M-□ F	96	28	47	66	85	104	123	142	161	180	199	218	237	256	275	294	313	G1/4"	40	30	29	14	9	25	27
200M-□ F	111	34	57	80	103	126	149	172	195	218	241	264	287	310	333	356	379	G1/4"	43	32	30.5	14.5	9	26	35
300M-□ F	130	42	70	98	126	154	182	210	238	266	294	322	350	-	-	-	-	G3/8"	53	48	37.5	13.5	11	30	40
400M-□ F	163	49	84	119	154	189	224	259	-	-	-	-	-	-	-	-	-	G1/2"	68	67	52	18.5	18	38	50

MSV Series Mechanical Valve



MSV86522-EB MSV86522-PB MSV86522-TB MSV86522-LB MSV86522-PP MSV86522-PPL MSV86522-R

Ordering Code

Specification

MSV **98** **32** **1** **R**

Specification Code
Mechanical Valve

Series Code
98 Series
86 Series

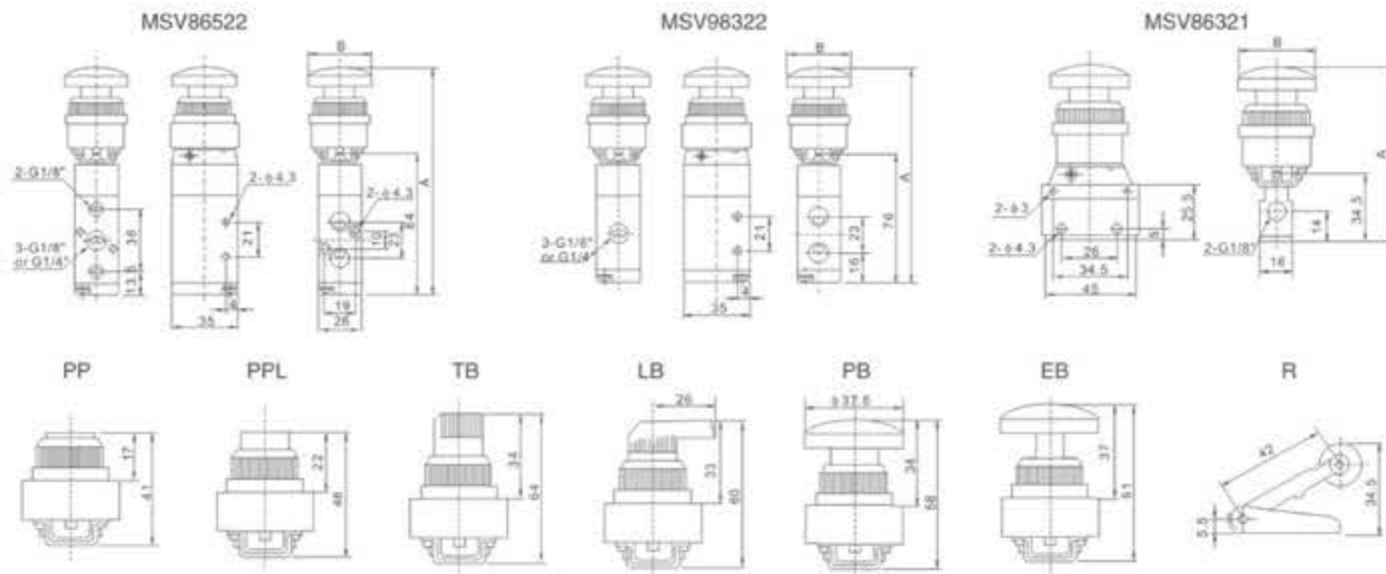
Position and Way No
32:Two-position Three-way
52:Two-position Five-way

Port Size
1:G1/8"
2:G1/4"

Button Type
Blank:Normal Type
R: Roller Type
TB:Selective Knob
LB:Strengthened Knob
PB:Large Round Button
PP:Plat Round Button
PPL:Convex Round Button
EB:With Lock Button

Model	MSV86321	MSV86522	MSV98322
Working Medium	40 Micron Filtered Air		
Position and Way No.	Two-position Three-way	Two-position Five-way	Two position Three-way
Effective Section Area	12mm ² (CV=0.67)	16mm ² (CV=0.89)	16mm ² (CV=0.89)
Port Size	G1/8"	G1/4"	G1/4"
Pressure Range	0-0.8Mpa		
Temperature Range	0-60°C		

Overall Dimensions



Dimension Sheet

Series	Symbol/Model	PP	PPL	LB	TB	EB	PB	R
MSV86522	A	114	119	133	136.5	134	131	107.5
	B	39.5	24.5	26.5	36.5	39.5	37.5	42.5
MSV98322	A	106	111	125	129.5	126	123	99.5
	B	39.5	24.5	26.5	36.5	39.5	37.5	42.5
MSV86321	A	66	71	85	88.5	86	83	59.5
	B	39.5	24.5	26.5	36.5	39.5	37.5	42.5

JMJ Series Mechanical Valve



JMJ-01 MJMJ-02 MJMJ-03 MJMJ-04 MJMJ-05 MJMJ-06 MJMJ-07

Ordering Code

Specification

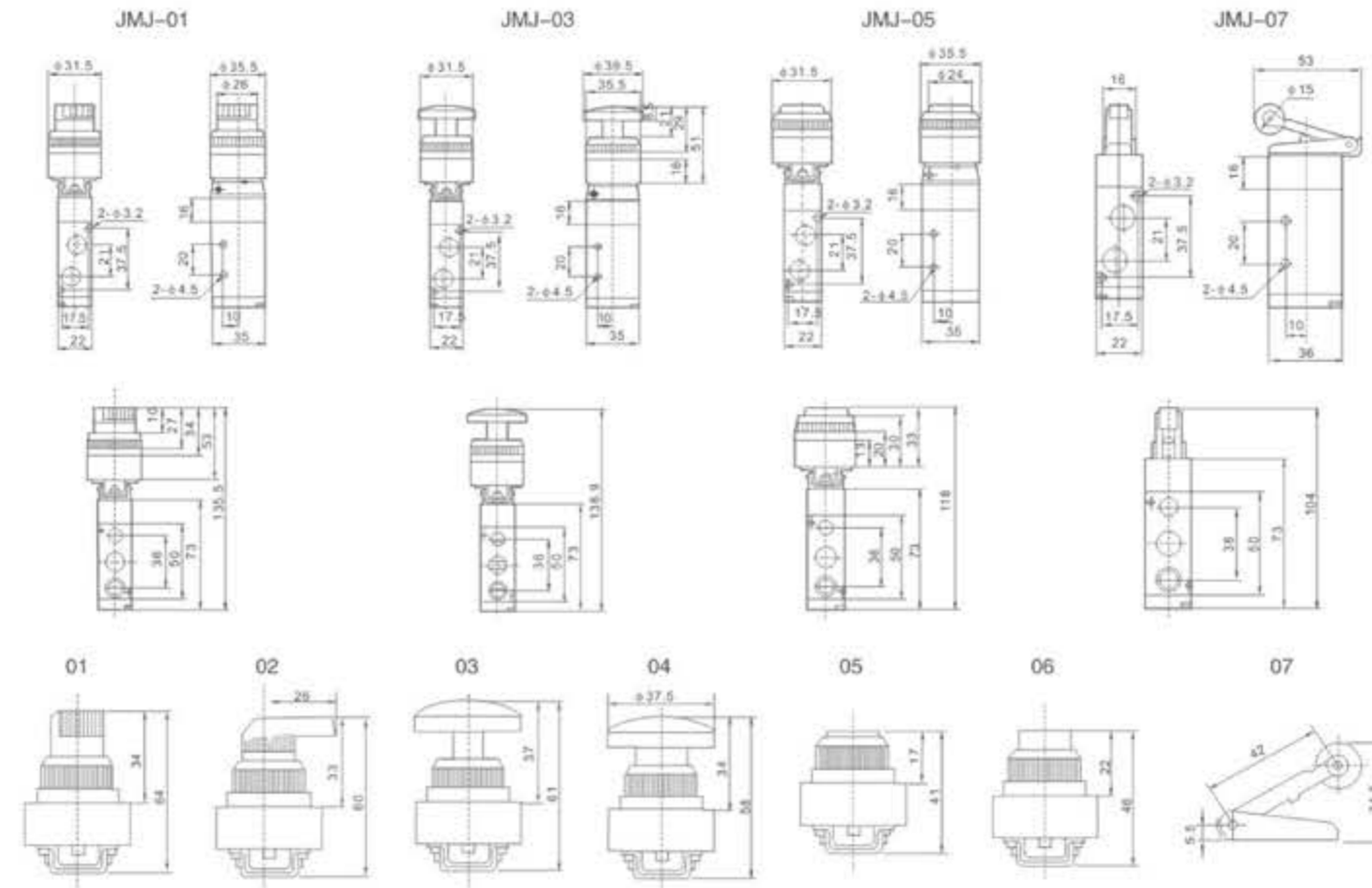
JMJ **01**

Specification Code
Joint Pipe Bore G1/4"Two-position Three-way Mechanical Valve

Button Type
01:Selective Knob
02:Strengthened Knob
03:With Lock Button
04:Large Round Button
05:Plat Round Button
06:Convex Round Button
07:With Lock Button

Model	JMJ-01, 02, 03, 04, 05, 06, 07
Port Size	G1/4"
Working Medium	Air
Temperature Range	0-60°C
Pressure Range	0-1MPa
Effective Section Area	25mm ²
Lubrication	Not Necessary

Overall Dimensions



JM Series Mechanical Valve

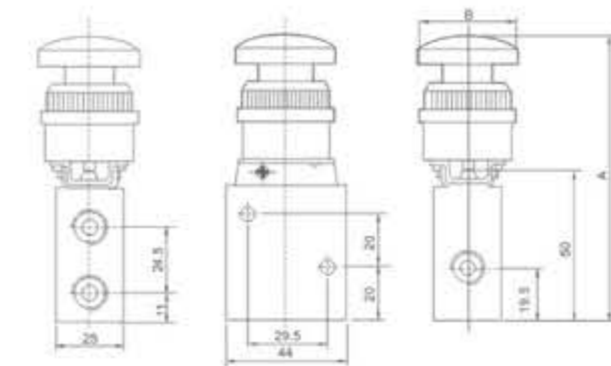


Ordering Code

JM
Specification Code
Stop-type Mechanical Valve

05
Button Type
05: Selective Knob
06: With Lock Button
06A: Flat Round Button
07: Roller Type

Overall Dimensions



Specification

Model	JM-05	JM-06	JM-06A	JM-07
Working Medium	40 Micron Filtered Air			
Position and Way No.	Two-position Three-way, Two-position Two-way			
Port Size	G1/4"			
Working-pressure Range	0-0.8MPa			
Operating Temperature	0-60°C			

Dimension Sheet

Model	JM-05	JM-06	JM-06A	JM-07
A	114	111	96	84.5
B	36.5	39.5	39.5	42.5

MOV Series Mechanical Valve

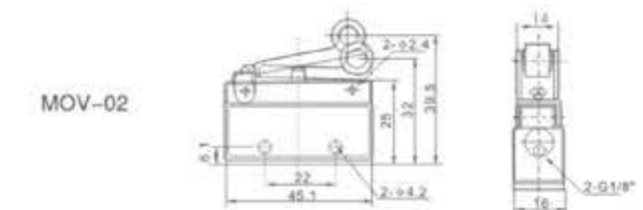


Ordering Code

MOV
Specification Code
Machine-Control,
Hand-Control Valve

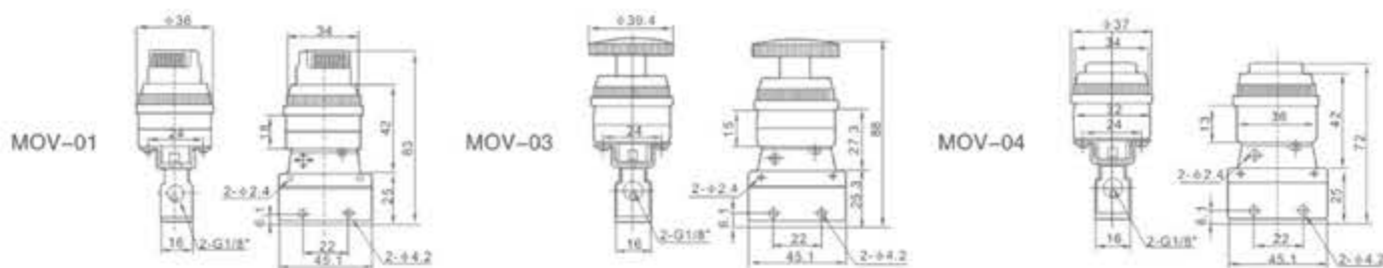
01
Button Type
01: Selective Knob
02: Roller Type
03: With Lock Button
04: Flat Round Button

Overall Dimensions



Specification

Model	MOV-01	MOV-02	MOV-03	MOV-04
Working Medium	Air			
Position and Way No.	Two-position Two-way			
Port Size	G1/8"			
Working-pressure Range	0-0.8MPa			
Operating Temperature	0-70°C			



4R Series Hand-draw Valve



Ordering Code

4R
Specification Code
4R: Two-position Five-way Hand-draw Valve
3R: Two-position Three-way Hand-draw Valve

2
Series Code
100 Series
200 Series
300 Series
400 Series

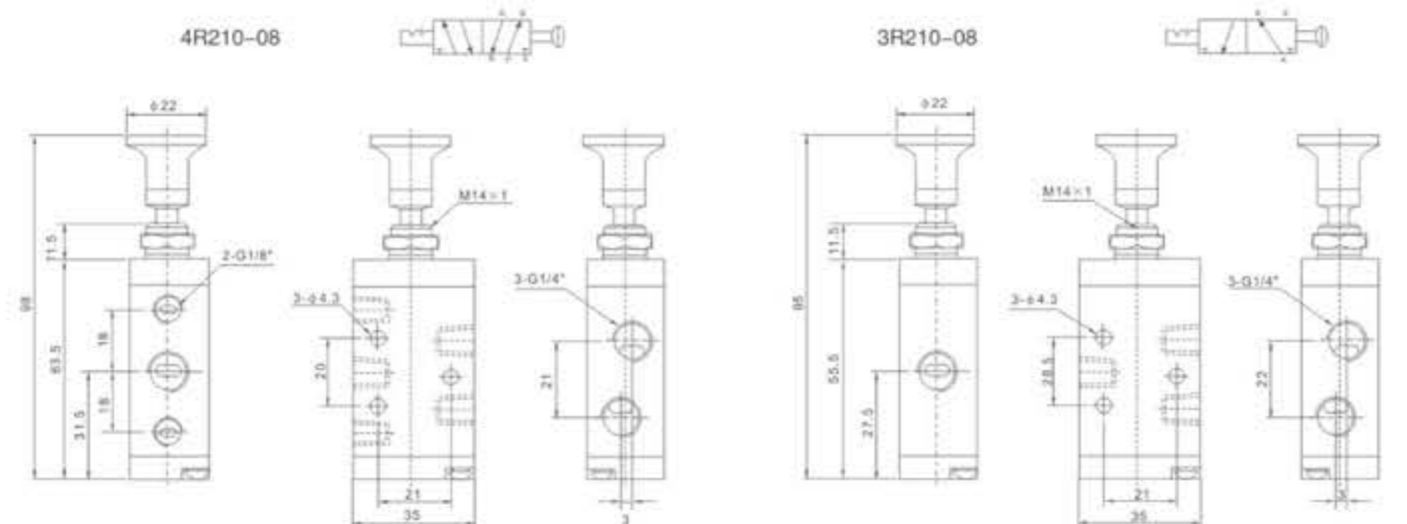
10
Number of Places
10: Single-head Double-position

06
Port Size
06: G1/8"
08: G1/4"
10: G3/8"
15: G1/2"

Specification

Model	4R110-06	4R210-08	4R310-10	4R410-15	3R110-06	3R210-08	3R310-10	3R410-15
Working Medium	Compressed Air							
Position and Way No.	Two-position Five-way				Two-position Three-way			
Joint Pipe Bore	G1/8"	G1/4"	G3/8"	G1/2"	G1/8"	G1/4"	G3/8"	G1/2"
Working-pressure Range	0-1.0MPa							
Operating Temperature Range	-5-60°C							
Operating Method	Direct Action Type							
Lubrication	Not Required							

Overall Dimensions



HV,K34 Series Hand-switching Valve



HV-03

K34R-08

K34-R-L8D

K34-R-L6D

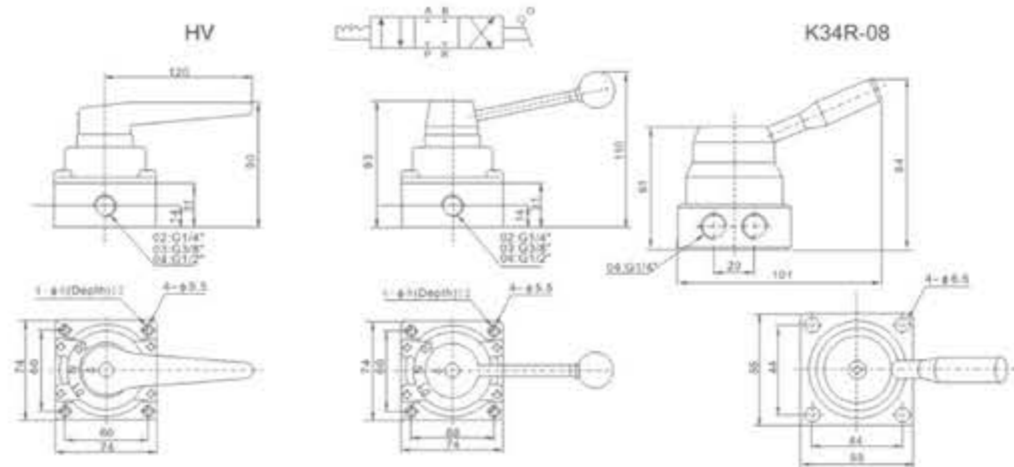
Ordering Code

HV	02		K	34	R_s	L8	D
Series Code HV Series	Port Size 02:G1/4" 03:G3/8" 04:G1/2"	Joint Pipe Type Blank:Pipe Connection Type B:Plate Connection Type	Series Code K Series	Position and way No. 24:Two-position Four-way 34:Three-position Four-way	Type Code R:Hand-switching Valve	Port Size L6:G1/8" L8:G1/4"	Base Joint

Specification

Model	HV-02	HV-03	HV-04	K34R-L6	K34R-L8
Working Medium	40 Micron Filtered Air				
Effective Sectional Area	30mm ² (cv+1.68)			18mm ² (cv+1.00)	
Port Size	G1/4"	G3/8"	G1/2"	G1/8"	G1/4"
Working-pressure Range	0~0.8MPa				
Operating Temperature Range	0~60°C				

Overall Dimensions



4HV Series Hand-switching Valve



Ordering Code

4HV	230	08	T
Series Code 4HV Series	Position and way No 230: Three-position Four-way 330: Three-position Four-way	Port Size 08: G1/4" 10: G3/8" 15: G1/2"	Install Type Blank: Body of Valve Install T: Panel Install

TSV Series Hand-pull Valve



TSV86522-M

TSV98322-M

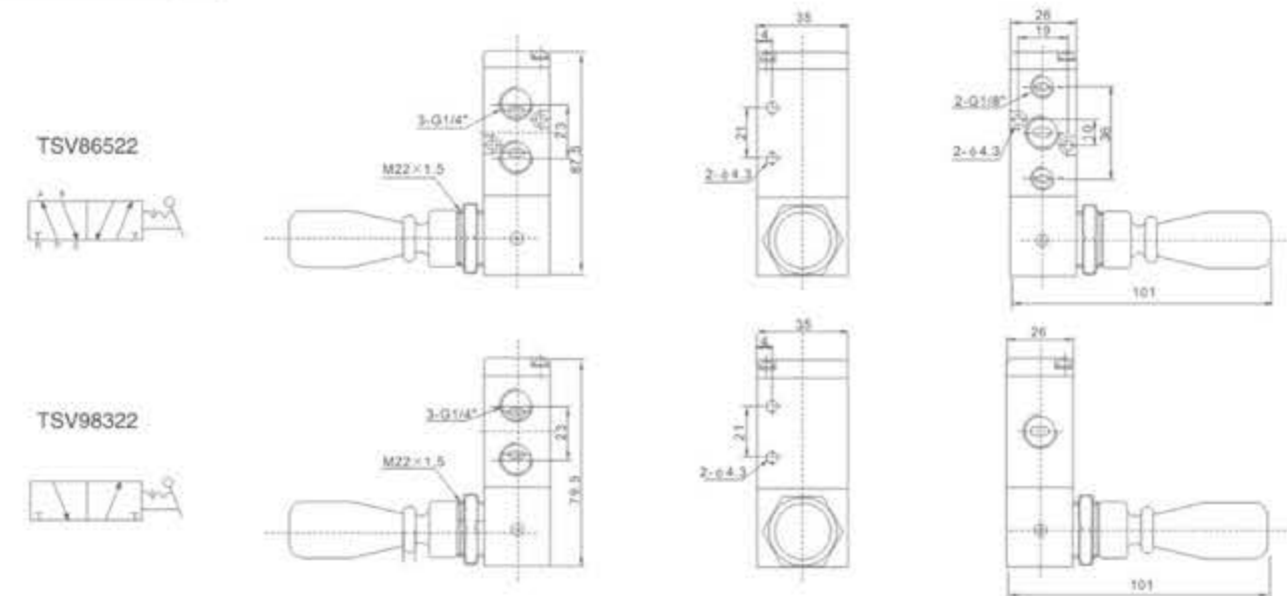
Ordering Code

TSV86	52	2	M	TSV98	32	2	M
Specification Code Hand-pull Valve	Position and Way NO. Two-position Five-way	Port Size 1:G1/8" 2:G1/4"	Type Code M:Machinery Locking Type S:Spring Return Type	Specification Code Hand-pull Valve	Position and Way NO. Two-position Three-way	Port Size 1:G1/8" 2:G1/4"	Type Code M:Machinery Locking Type S:Spring Return Type

Specification

Model	TSV86522M/S	TSV98322M/S
Working Medium	40 Micron Filtered Air	
Motion Pattern	Direct Drive Type	
Effective Sectional Area	18mm ² (CV=1.00)	
Port Size	G1/4	
Working-pressure Range	0~1.0MPa	
Operating Temperature Range	0~60°C	

Overall Dimensions



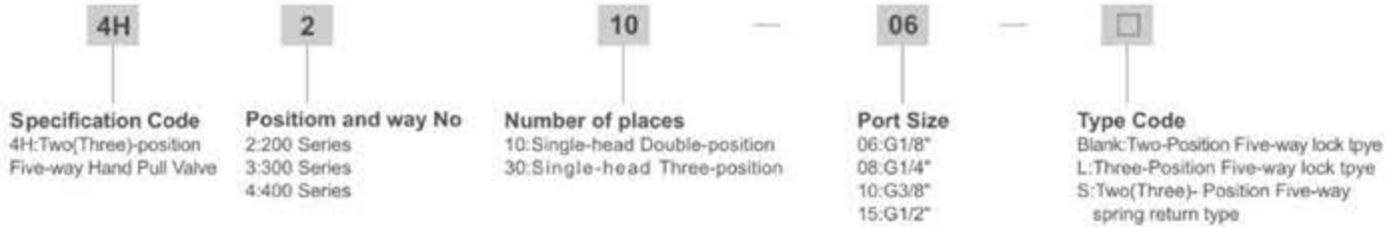
4H Series Hand-pull Valve



4H330-10

4H210-06

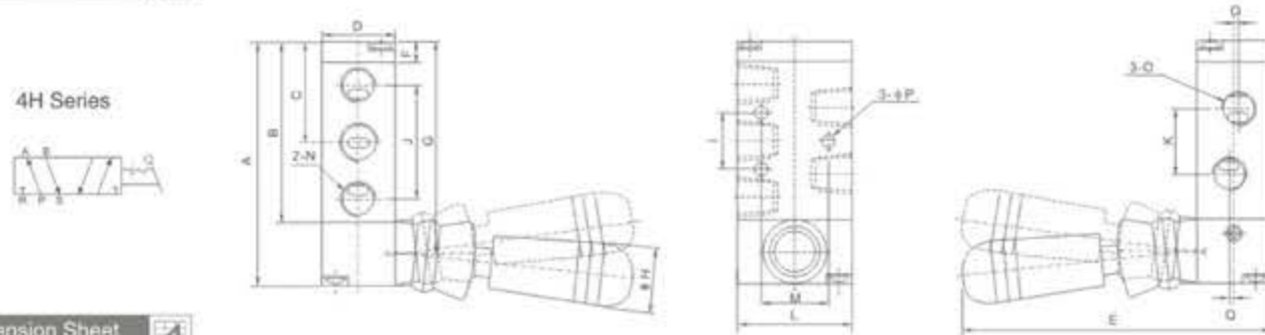
Ordering Code



Specification

Model	4H210-06	4H210-08	4H230-08	4H310-08	4H310-10	4H330-10	4H410-15	4H430-15
Working Medium	40 Micron Filtered Air							
Motion Pattern	Direct Drive Type							
Effective Section Area	14mm ² (CV=0.78)	16mm ² (CV=0.89)	12mm ² (CV=0.67)	25mm ² (CV=1.4)	30mm ² (CV=1.88)	30mm ² (CV=1.88)	50mm ² (CV=2.79)	50mm ² (CV=2.79)
Port Size	Air Inlet=Air Outlet=Exhaust=G1/8"	Air Inlet=Air Outlet=Exhaust=G1/4"	Air Inlet=Air Outlet=Exhaust=G1/4"	Air Inlet=Air Outlet=Exhaust=G1/4"	Air Inlet=Air Outlet=Exhaust=G1/4"	Air Inlet=Air Outlet=Exhaust=G1/4"	Air Inlet=Air Outlet=Exhaust=G1/2"	Air Inlet=Air Outlet=Exhaust=G1/2"
Working-Pressure Range	0-1.0MPa							
Operating Temperature Range	0-60°C							

Overall Dimensions



Dimension Sheet

Symbol/Model	A	B	C	D	E	F	G	H	I	J	K	L	M	N	O	P	Q
4H210-06	76.5	56.5	31.5	22	95	6.5	66.5	18	20	36	21	35	21	G1/8"	G1/8"	4.3	-
4H230-06	76.5	56.5	31.5	22	95	6.5	66.5	18	20	36	21	35	21	G1/8"	G1/8"	4.3	-
4H230-06(S)	97.5	75.5	31.5	22	95	6.5	85.5	18	20	36	21	35	21	G1/8"	G1/8"	4.3	-
4H210-08	76.6	56.5	31.5	22	95	6.5	66.5	18	20	36	21	35	21	G1/8"	G1/4"	4.3	1.5
4H230-08L	97.5	75.5	31.5	22	95	6.5	66.5	18	20	36	21	35	21	G1/8"	G1/4"	4.3	1.5
4H230-08(S)	97.5	75.5	31.5	22	95	6.5	85.5	18	20	36	21	35	21	G1/8"	G1/4"	4.3	1.5
4H310-08	92	72.5	40	27	100	7.5	82.5	18	24	45	24	40	27	G1/4"	G1/4"	4.3	-
4H310-10	92	72.5	40	27	100	7.5	82.5	18	24	45	24	40	27	G1/4"	G3/8"	4.3	-2
4H410-15	126	102	55.5	34	100	7.5	114	18	28	63	36	50	35	G1/2"	G1/2"	5.5	-

4F, FV Series Foot Valve



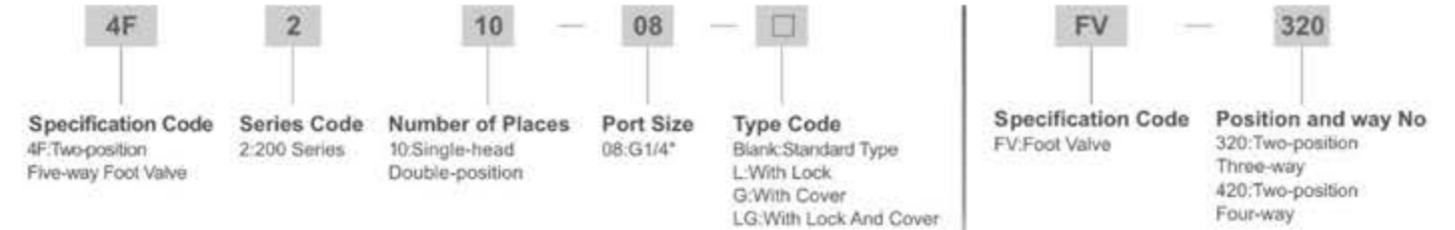
4F210-08L

4F210-08

FV420

4F210-08LG

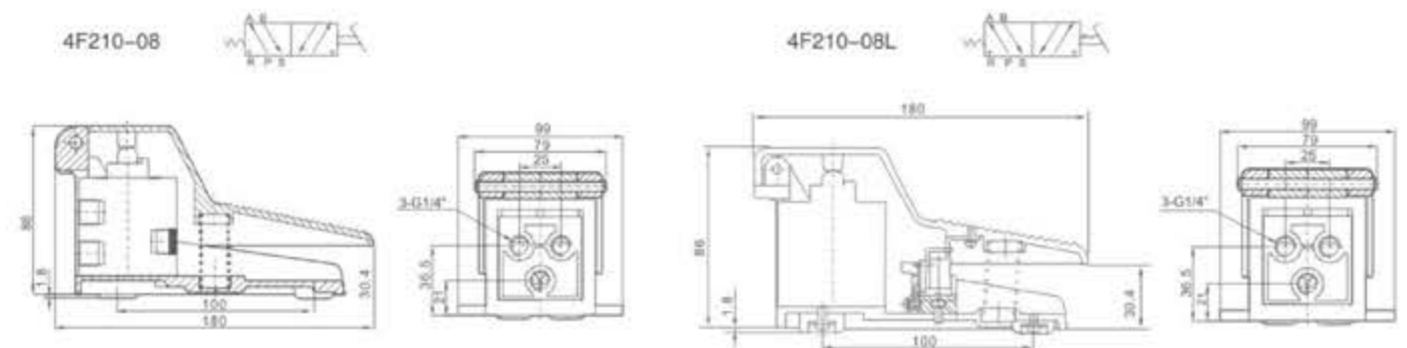
Ordering Code



Specification

Model	4F210-06	4F210-08L	4F210-08G	4F210-08LG	FV420	FV320
Working Medium	40 Micron Filtered Air					
Position and Way Number	Two-position Five-way				Two-position Four-way	Two-position Three-way
Motion Pattern	Direct Drive Type					
Port Size	Air Inlet=Air Outlet=Exhaust=G1/4"				Air Inlet=Air Outlet=Exhaust=G1/4" Exhaust=G1/8"	
Working-pressure Range	0.15-0.9MPa					
Operating Temperature Range	0-60°C					

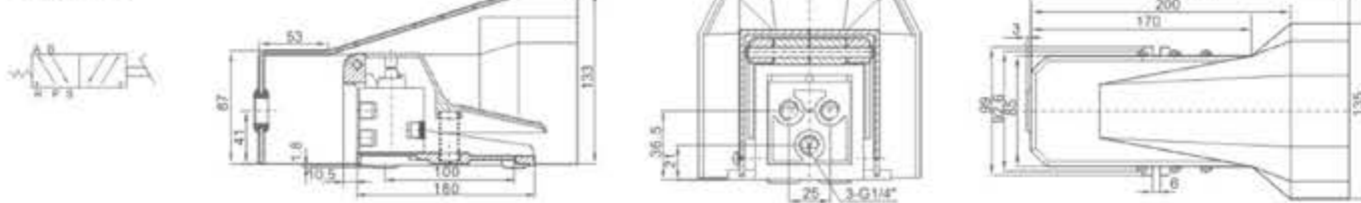
Overall Dimensions



4F, FV Series Foot Valve

Overall Dimensions

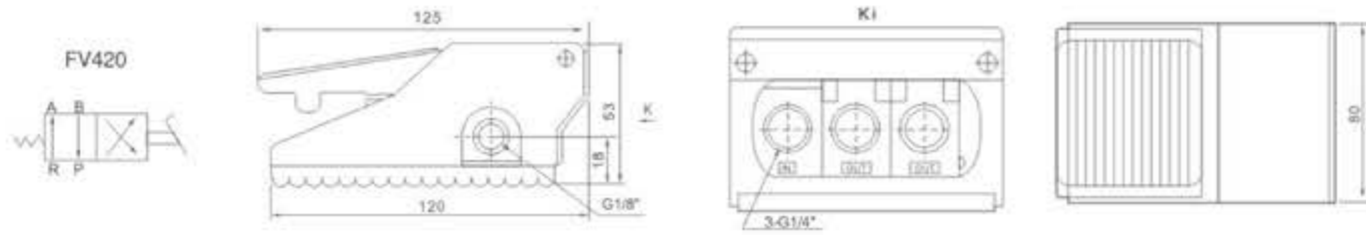
4F210-08G



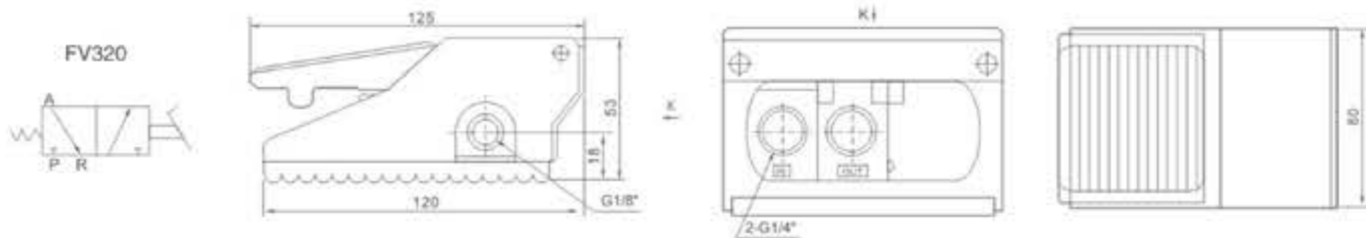
4F210-08LG



FV420



FV320



RE Series Flow Control Valve

Ordering Code

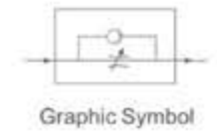


RE

Series Code
RE: Ordinary Type
Flow Control Valve

01

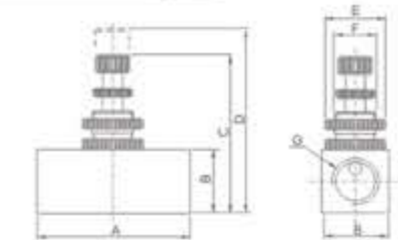
Port Size
01: G1/8"
02: G1/4"
03: G3/8"
04: G1/2"



Specification

Model	RE-01	RE-02	RE-03	RE-04
Port Size	G1/8"	G1/4"	G3/8"	G1/2"
Working Medium	Air			
Working-pressure Range	0-0.95MPa			
Operating Temperature Range	0-60°C			

Overall Dimensions



Dimension Sheet

Model	A	B	C	D	E	F	G
RE-01	45	19	43	50	∅19	M14×1	G1/8
RE-02	45	19	43	50	∅19	M14×1	G1/4
RE-03	55	25	55	62	∅25	M18×1	G3/8
RE-04	55	25	55	62	∅25	M18×1	G1/2

ASC Series Check Valve

Ordering Code

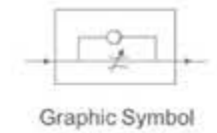


ASC

Series Code
ASC: Accurate Type
Flow Control Valve

08

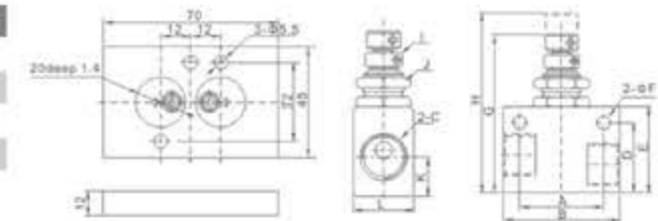
Port Size
06: G1/8"
08: G1/4"
10: G3/8"
15: G1/2"



Specification

Model	ASC-06	ASC-08	ASC-10	ASC-15
Port Size	G1/8"	G1/4"	G3/8"	G1/2"
Working Medium	Air			
Working-pressure Range	0-0.95MPa			
Operating Temperature Range	0-60°C			

Overall Dimensions



Dimension Sheet

Model	A	B	C	D	E	F	G	H	I	J	K	L
ASC-06	22	32	G1/8"	22	27	4.3	49.7	56.5	M6×0.5	M12×0.75	12	18
ASC-08	28	38	G1/4"	22	27	4.3	49.7	56.5	M6×0.5	M12×0.75	12	18
ASC-10	28	40	G3/8"	25	30	4.3	52.7	59.5	M6×0.5	M12×0.75	13	22
ASC-15	28	40	G1/2"	30	35	4.3	58.7	65.5	M6×0.5	M12×0.75	13.5	26

KAM Series Check Valve



Ordering Code

KAM — **15**

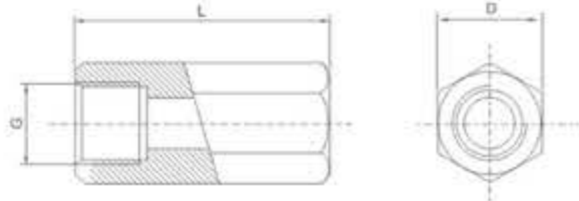
Series Code
KAM: Check Valve

Port Size
06:G1/8"
08:G1/4"
10:G3/8"
15:G1/2"

Specification

Model	KAM-06	KAM-08	KAM-10	KAM-15
Port Size	G1/8"	G1/4"	G3/8"	G1/2"
Flow mm ³ /S	10	20	40	60
Leak Out Flow(cm ³ /min)	≤45	≤60	≤80	≤95
Operation Medium	Compressed Air			
Working Temperature Range	-5~60°C			
Working Pressure	0.05~1.2MPa			

Overall Dimensions



Dimension Sheet

Model	D	G	L
KAM-06	G1/8"	37	14
KAM-08	G1/4"	48	17
KAM-10	G3/8"	50	21
KAM-15	G1/2"	60	24

XQ Series Quick Exhaust Valve



The valve is generally installed on the pipeline between the cylinder and reversal valve and near the cylinder, which directly discharge the air from cylinder without passing the reversal valve and thus achieve the goal of fast reversion of cylinder. The effect on improving cylinder speed is especially obvious.

P: Connect cylinder
A: Connect cylinder
R: Connect muffler

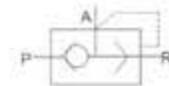
Ordering Code

XQ — **170800**

Series Code
XQ:Quick Exhaust Valve

Port Size
170600:G1/8"
170800:G1/4"
171000:G3/8"
171500:G1/2"
172000:G3/4"

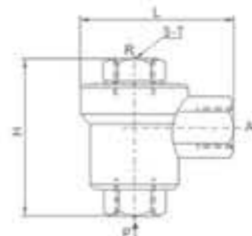
Graphic Symbol



Specification

Model	XQ170600	XQ170800	XQ171000	XQ171500
Joint Threaded	G1/8"	G1/4"	G3/8"	G1/2"
Port Size	6mm	6mm	8mm	15mm
Flow	≥0.9m ³ /min	≥0.9m ³ /min	≥2.5m ³ /min	≥4.5m ³ /min
Timerate(Ten Thousand Times)	≤200			
Working Pressure Range	0.12~1.0MPa			
Exchange Times(S)	≤0.03	≤0.03	≤0.04	≤0.05

Overall Dimensions



Dimension Sheet

Model	T	H	L
XQ170600	G1/8"	39	32
XQ170800	G1/4"	51	45
XQ171000	G3/8"	68	62
XQ171500	G1/2"	77	86

AS Series Check Valve



Ordering Code

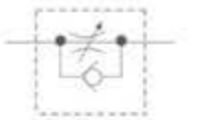
AS — **4000** — **02**

Series Code
AS:Check Valve

Specification Code
4000

Port Size
02:G1/4"
03:G3/8"
04:G1/2"

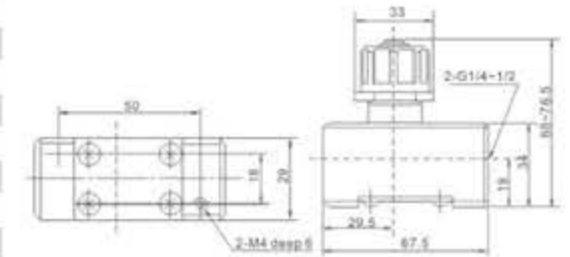
Graphic Symbol



Specification

Model	AS4000-02	AS4000-03	AS4000-04
Port Size	G1/4"	G3/8"	G1/2"
Free Flow	Flow(L/min) 1670		
	Effective Sectional Area(mm ²) 25.5		
Controlled	Flow(L/min) 1670		
Flow	Effective Sectional Area(mm ²) 25.5		
Ensured Pressure Resistance	1.5MPa		
Highest Working Pressure	1.0MPa		
Lowest Working Pressure	0.05MPa		
Ambient and Media Temperature	5~60°C		
Regulated Flow Turns	8~9		

Overall Dimensions



AS4000

Note*: Input pressure is 0.5MPa.
Note*: 8 turns for AS4000

QE Series Quick Exhaust Valve

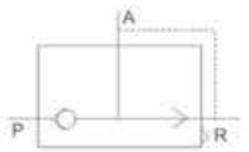


Ordering Code

QE — **01**

Series Code
QE:Quick Exhaust Valve

Port Size
01:G1/8" 02:G1/4"
03:G3/8" 04:G1/2"
06:G3/4"

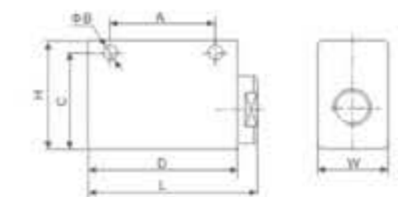


Graphic Symbol

Specification

Model	QE-01	QE-02	QE-03	QE-04	QE-06
Port Size	G1/8"	G1/4"	G3/8"	G1/2"	G3/4"
Effective Section Area	16mm ²	27.5mm ²	38mm ²	71mm ²	72.5mm ²
Working Medium	Air				
Working Pressure Range	0~1.0MPa				
Operating Temperature Range	0~60°C				

Overall Dimensions



Dimension Sheet

Model	Bore	L	W	H	A	B	C	D
QE-01	G1/8"	46	20	32	30	4.3	27	40
QE-02	G1/4"	62	25	40	39	5.6	33.5	55
QE-03	G3/8"	62	25	40	39	5.6	33.5	55
QE-04	G1/2"	98	38	64	60	8.5	51	90
QE-06	G3/4"	98	38	64	60	8.5	51	90

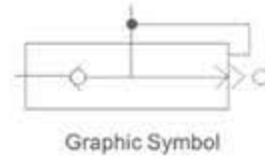
XKP Series Quick Exhaust Valve



Ordering Code

XKP
Series Code
XKP-Quick Exhaust Valve

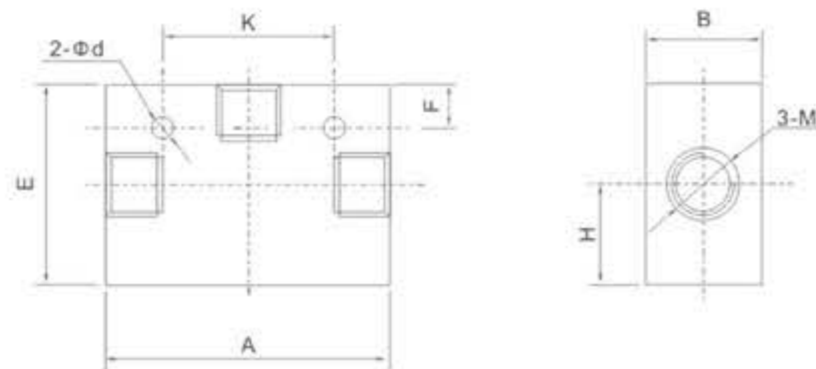
L15
Port Size
L6:G1/8"
L8:G1/4"
L10:G3/8"
L15:G1/2"
L20:G3/4"
L25:G1"
L32:G1-1/4"
L40:G1-1/2"
L50:G2"



Specification

Model	XKP-L6	XKP-L8	XKP-L10	XKP-L15	XKP-L20	XKP-L25	XKP-L32	XKP-L40	XKP-L50	
Section Area	P→A	10	20	40	60	110	190	300	400	650
	A→P	20	40	60	110	190	300	400	650	900
Leak Out Flow(cm ³ /min)	≤10		≤25		≤50		≤70			
Working Medium	Compressed Air									
Operating Temperature Range	-5~+60°C									
Working-pressure	0.05~1.2MPa									

Overall Dimensions



Dimension Sheet

Model	M	A	K	B	E	H	F	d
XKP-L6	G1/8	-	-	36	41	10	-	-
XKP-L8	G1/4	75	-	36	41	10	-	-
XKP-L10	G3/8	82	58	44	60	23	8	7
XKP-L15	G1/2	82	58	44	60	23	8	7
XKP-L20	G3/4	128	98	72	95	36	8	10
XKP-L25	G1	128	98	72	95	36	8	10
XKP-L32	G1-1/4	158	128	88	112	44	10	10
XKP-L40	G1-1/2	158	128	88	112	44	10	10
XKP-L50	G2	190	148	102	130	52	10	12

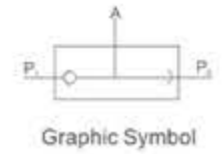
ST Series Shuttle Valve



Ordering Code

ST
Series Code
ST:Shuttle Valve

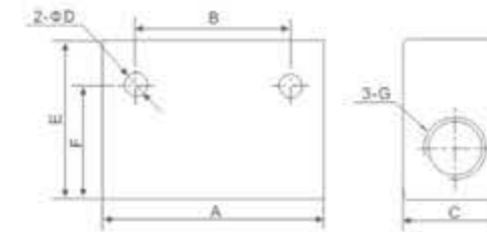
01
Port Size
01:G1/8"
02:G1/4"
03:G3/8"
04:G1/2"
06:G3/4"
08:G1"



Specification

Model	ST-01	ST-02	ST-03	ST-04	ST-06	ST-08
Working Medium	Air					
Effective Section Area	7.5mm ²	21mm ²	40mm ²	60mm ²	110mm ²	190mm ²
Port Size	G1/8"	G1/4"	G3/8"	G1/2"	G3/4"	G1"
Working Pressure Range	0~1.0MPa					
Operating Temperature Range	-5~60°C					

Overall Dimensions



Dimension Sheet

Model	A	B	C	D	E	F	G
ST-01	40	24	16	4.5	25	20.5	G1/8"
ST-02	50	35	22	5.5	35	25	G1/4"
ST-03	75	48	30	7	50	42	G3/8"
ST-04	75	48	30	7	50	42	G1/2"
ST-06	110	72	40	7	70	58	G3/4"
ST-08	110	72	40	7	70	58	G1"

CV Series Vacuum Valve



Ordering Code

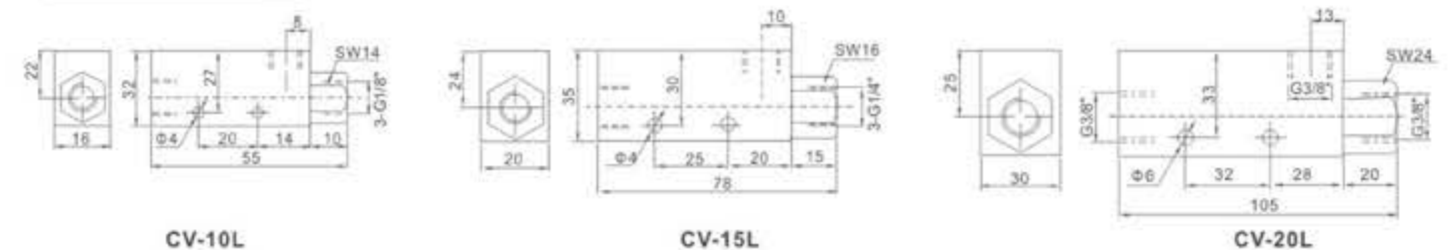
CV
Series Code
CV:Vacuum Valve

15L
Port Size
10L:G1/8"
15L:G1/4"
20L:G3/8"

Specification

Model	CV-10L	CV-15L	CV-20L
Working Medium	Air		
Working pressure	1.0MPa		
Shortest Excitation Time	0.05 Second		
Leakage Volume	≤10cm ³ /min		

Overall Dimensions

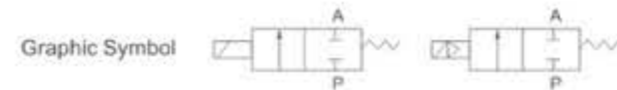


2V Series 2/2 Solenoid Valve

Ordering Code



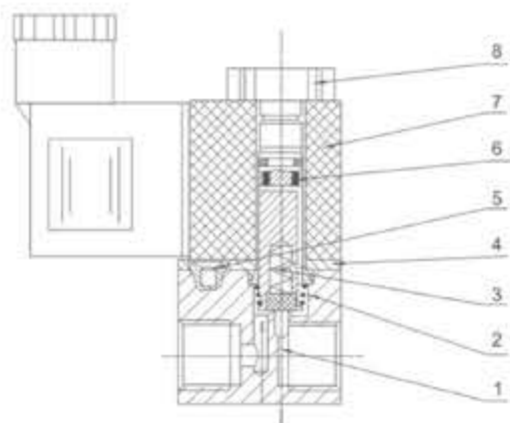
2V	025	06	AC220V	V
Specification Code 2V:Two-position Two-way Solenoid Valve	Aperture of Flow Rate 025:2.5mm 130:13mm 250:25mm	Port Size 06:G1/8" 08:G1/4" 10:G3/8" 15:G1/2" 20:G3/4" 25:G1"	Standard Voltage DC12V DC24V AC24V 50Hz/60Hz AC110V 50Hz/60Hz AC220V 50Hz/60Hz AC380V 50Hz/60Hz	Oil Seal Code Blank:NBR V:VITON(For High temperature)



Specification

Model	2V025-06	2V025-08	2V130-10	2V130-15	2V250-20	2V250-25
Working Medium	Air,Water,Oil					
Motion Pattern	Direct Drive Type			Guide Type		
Type	Normal Close Type					
Aperture of Flow Rate(mm)	2.5		13		25	
CV Value	0.23		6.2		23	
Port Size	G1/8"	G1/4"	G3/8"	G1/2"	G3/4"	G1"
Operation Fluid Viscosity	20 CST (Below)					
Working-pressure	Air,Water,Oil 0~0.8MPa			Air,Water,Oil 0.05~0.7MPa		
Max. Pressure Resistance	12kgf/cm ²			10.5kgf/cm ²		
Operating Temperature Range	-10~+80°C					
Voltage Range	±10%					
Protect Class	IP65					
Power Consumption	AC:7VA860Hz PC:6W					
Insulation	F Class					
Material of Body	Aluminum or Brass			Brass		
Material of Oil Seal	NBR or VITON			NBR		
Shortest Excitation Time	0.05 Second					

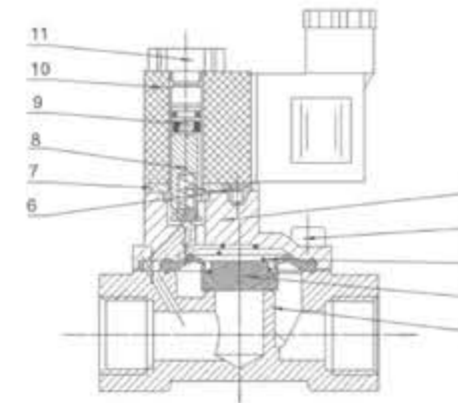
Internal structure



NO	Name
1	Body Of Valve
2	Spring
3	Assembly Of Iron Core
4	Assembly Of Iron Core
5	Cruciform Slot Screw
6	Platen
7	Coil
8	Nut

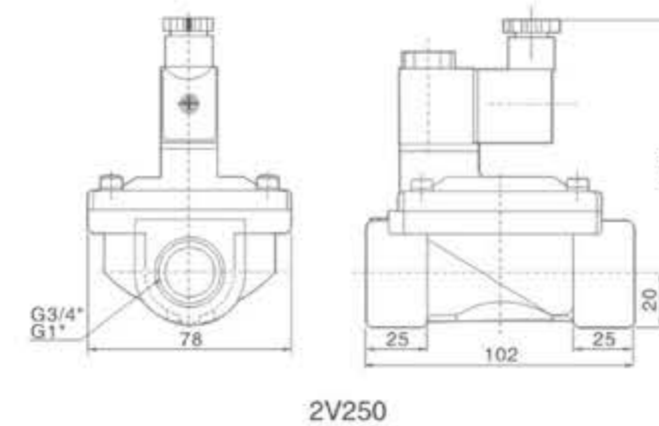
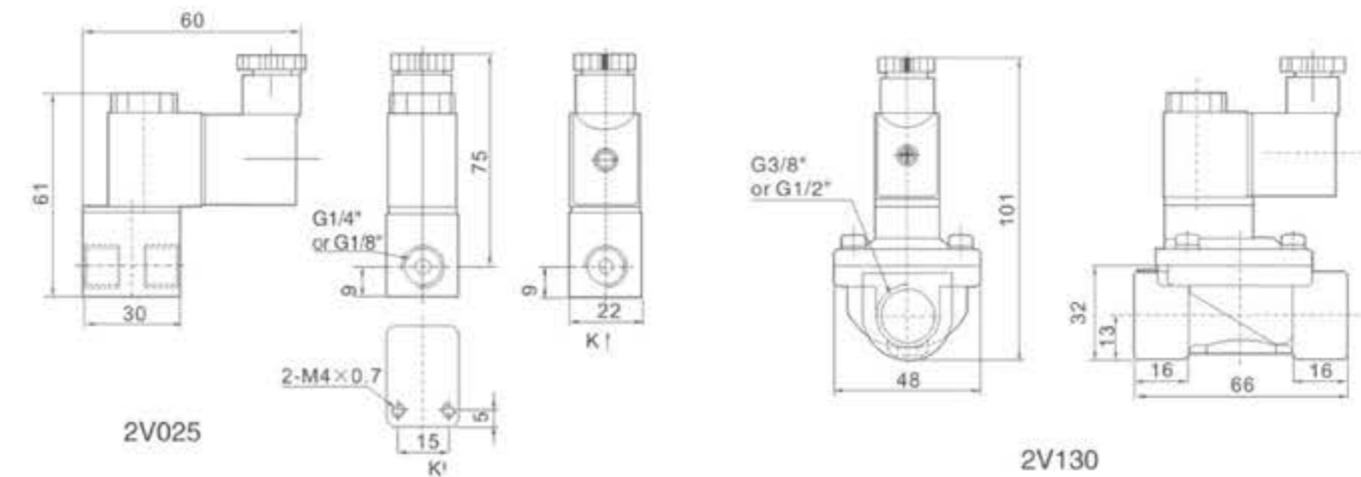
2V Series 2/2 Solenoid Valve

Internal structure



NO	Name
1	Body Of Valve
2	Diaphragm
3	Spring
4	Socket Hexagon Screws
5	Cover board
6	Cruciform Slot Screw
7	Platen
8	Assembly Of Iron Core
9	Assembly Of Iron Core
10	Coil
11	Nut

Overall Dimensions



PU220 Series 2/2 Solenoid Valve(Direct drive type)



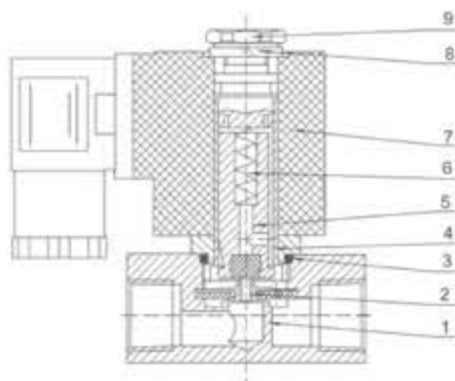
Ordering Code

PU	220	02	A	AC220V	T
Specification Code PU:Two -position Two-way solenoid valve	Motion Pattern 220:Direct drive Type	Port Size 01:G1/8" 02:G1/4" 03:G3/8" 04:G1/2" 06:G3/4" 08:G1" 12:G1 1/4" 14:G1 1/2" 20:G2"	Initial Estate A: Large Flux AR: Small Aperture Direct Drive F: Flange Type	Standard Voltage AC220V AC110V DC12V DC24V	Wiring Form Blank:Standard Coil T:Timer Coil

Specification

Model	PU220-01AR	PU220-02AR	PU220-03AR	PU220-03A	PU220-04AR	PU220-04A	PU220-06A	PU220-08A
Working Medium	Air, Water, Oil							
Motion Pattern	220:Direct Drive Type/225:Guide Type							
Type	Normal Close Type							
Aperture of Flow Rate(mm)	1.5	2.3	8	13	8	13	20	25
CV Value	0.10	0.18	1.00	4.00	1.00	4.00	8.60	11.00
Joint Pipe Bore	G1/8"	G1/4"	G3/8"	G3/8"	G1/2"	G1/2"	G3/4"	G1"
Operation Fluid Viscosity	50 CST							
Working-pressure	0~0.7MPa							
Max. Pressure Resistance	1.05MPa							
Operating Temperature Range	-5~+80°C							

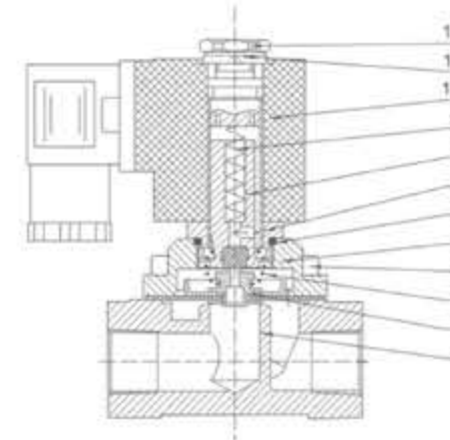
Internal structure



NO	Name
1	Body Of Valve
2	Assembly of Diaphragm
3	O-ring
4	Assembly Of Iron Core
5	Assembly Of Iron Core
6	Spring
7	Coil
8	Gasket
9	Nut

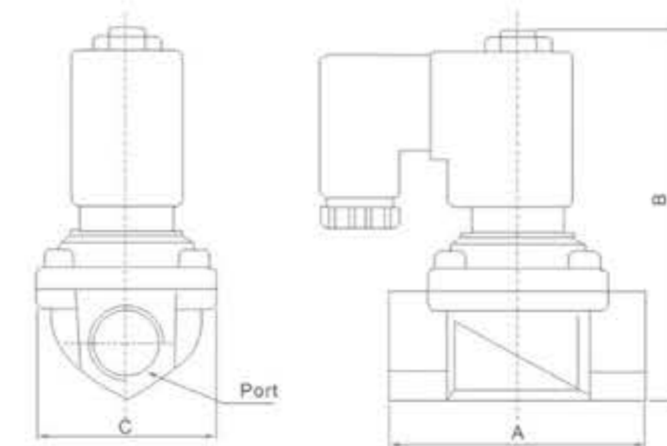
PU220 Series 2/2 Solenoid Valve(Direct drive type)

Internal structure



NO	Name	NO	Name
1	Body Of Valve	7	Assembly Of Iron Core
2	Assembly Of Diaphragm	8	Assembly Of Iron Core
3	Pull Spring	9	Spring
4	Socket Hexagon Screws	10	Coil
5	Valve Cover	11	Gasket
6	O-ring	12	Nut

Overall Dimensions



Dimension Sheet

Model	Port	A	B	C
PU220-01AR	G1/8"	22	72	22
PU220-02AR	G1/4"	35	72	25.4
PU220-03AR	G3/8"	55	79.5	30
PU220-03A	G3/8"	65.5	101	48
PU220-04A	G1/2"	65.5	101	48
PU220-06A	G3/4"	71	107	58
PU220-08A	G1"	97	120	70

XMZ Series Right Angle Pulse Valve



Ordering Code

X	MF	Z	25	P	EX
XCPC Product	Pulse Valve	Type Code	Orifice Size	Thread Type	Wiring Form
		Z: Solenoid Control Q: Pneumatic Control		Blank: Normal Thread Type A: Thread Type+ Insert pipe P: Thread Type S: Double Diaphragms J: Thread Type (Economy Type)	Blank: Normal Type EX: Ex-proof type

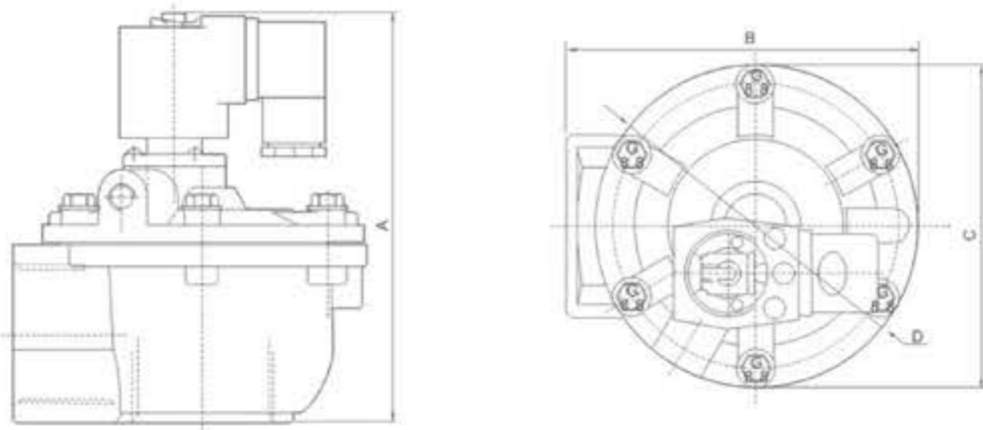
Speciality

Adopt international advanced technology.
Used for dust remover.
Key parts all made of imported materials.
Pneumatic control type, solenoid control type, ex-proof solenoid control type for choose.
Female thread connection port, easy to be mounted.

Specification

Model	XMZ-Z-20A	XMZ-Z-20P	XMZ-Z-20	XMZ-Z-25	XMZ-Z-25P	XMZ-Z-35P	XMZ-Z-40S	XMZ-Z-50S	XMZ-Z-62S	XMZ-Z-76S	XMZ-Z-100S
Working Pressure	0.3-0.8MPa										
Ambient Temperature	-5-55°C										
Relatively Humidity	<85%										
Working Medium	Clean Air										
Voltage	AC110V/AC220V/DC24V										
Diaphragm Life Cycles	Over 1000k Cycles										
Orifice(mm)	φ20	φ20	φ20	φ25	φ25	φ35	φ40	φ50	φ62	φ76	φ100
Connection Port	G3/4"	G3/4"	G3/4"	G1"	G1"	G1 1/2"	G1 1/2"	G2"	G2 1/2"	G3"	φ100

Overall Dimensions



Dimension Sheet

Model	XMZ-Z-20A	XMZ-Z-20P	XMZ-Z-20	XMZ-Z-25	XMZ-Z-25P	XMZ-Z-35P	XMZ-Z-40S	XMZ-Z-50S	XMZ-Z-62S	XMZ-Z-76S	XMZ-Z-100S
A	173	124	110	110	124	142	166	202	222	245	356.5
B	145	105	90.5	90.5	105	121	132	210	210	230.5	286.5
C	-	82.5	75	75	82.5	-	-	-	-	-	-
D	φ90	-	-	-	-	φ112	φ137	φ185	φ185	φ200	φ221

XMZY Series In Line Pulse Valve



Ordering Code

X	MF	Y	50	S	EX
XCPC Product	Pulse Jet Valve	Type Code	Orifice	Double Diaphragms	Wiring Form
		Y: Solenoid Control Q: Pneumatic Control			Blank: Normal Type EX: Ex-proof Type

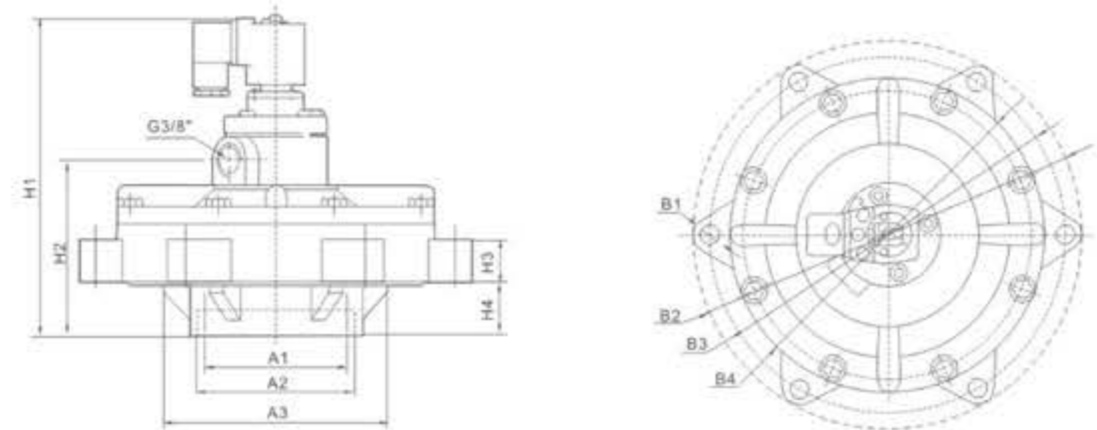
Speciality

Adopt international advanced technology
Used for dust remover
Key parts all made of imported materials
Pneumatic control type, solenoid control type, ex-proof solenoid control type for choose
Directing mounted to gas bag better blowing effect and small loss of air source.

Specification

Model	XMZY-Y-50S	XMZY-Y-62S	XMZY-Y-76S
Working Pressure	0.3-0.8MPa		
Ambient Temperature	-5-55°C		
Relatively Humidity	<85%		
Working Medium	Clean Air		
Voltage	AC110V/AC220V/DC24V		
Diaphragm Life Cycles	Over One Million Cycles		
Orifice(mm)	φ50	φ62	φ76
Connection Port	φ65	φ80	φ90

Overall Dimensions



Dimension Sheet

Model	A1	A2	A3	B1	B2	B3	B4	H1	H2	H3	H4
XMZY-Y-50S	φ64.5	φ78.5	φ118	6-φ11.5	φ200	φ180	φ159	187	100	25	31
XMZY-Y-62S	φ80	φ93.5	φ145	6-φ11	φ226	φ204	φ185	197	107	34.5	35
XMZY-Y-76S	φ90	φ99	φ141	6-φ11	φ248	φ227	φ200	205	113	27	34

XC Series Stainless Steel Bevel Valve



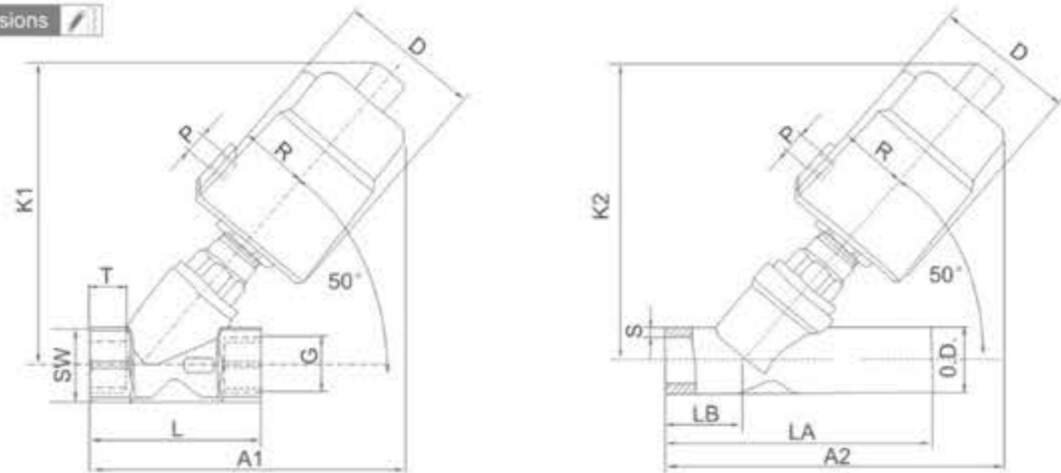
Ordering Code

XC	10	40	□	□
Series Code XC Series Stainless Steel Bevel Valve	Port Size 10:G3/8" 15:G1/2" 20:G3/4" 25:G1" 32:G1-1/4" 40:G1-1/2" 50:G2" 65:G2-1/2" 80:G3"	Actuator Size 40:40mm 50:50mm 63:63mm 90:90mm 100:100mm	Type SC:Single Action Normal Close SO:Single Action Normal Open DC:Double Action Normal Close DF:Double Action Free Installation	Body Material Blank:S.S 304 (Standard) 316:S.S 316 316L:S.S 316L

Specification

Model	XC10-80SC/SO/DC/DF			Model	XC10-80SC/SO/DC/DF		
Port size	DN10-DN50			Applicable medium	Water,liquid,neutral gas,water steam slight corrosive gas and liquid		
Thread	G3/8"-G3"			Temperature range	PTFE:-10°C to +180°C		
Welded	DIN11850	2 DIN11850	3 ISO2037	Ambient temperature	-10°C to +50°C		
Valve body	CF8M			Viscosity	max. 600mm ² /s		
Actuator	CF8			Installation	Any position		
Seat seals	PTFE			Controlling medium	Air or neutral gas		
Stem seals	PTFE/FKM			Controlling pressure range	0.3-1Mpa		
Piston seals	FKM/NBR						

Overall Dimensions



Dimension Sheet

Specification	Actuator (mm)	D	R	P	Thread					Welded							
					G	K1	A1	L	T	SW	OD	K2	A2	LA	LB	S	
DN10	40	53	28	G1/8"	G3/8"	105	144	65	12	25	/	/	/	/	/	/	/
DN15	50	56	35	G1/8"	G1/2"	142	182	76	14	28	21	115	142	100	18	3	
DN20	50	56	35	G1/8"	G3/4"	152	189	92	16	32	27	131	170	117	30	3	
DN25	50	56	35	G1/8"	G1"	155	207	103	21	39	34	138	175	130	30	3	
DN25	63	70	43	G1/8"	G1"	176	217	103	21	39	34	166	200	130	30	3	
DN32	63	70	43	G1/8"	G1-1/4"	177	222	112	19	49	42	172	207	145	30	3	
DN40	63	70	43	G1/8"	G1-1/2"	182	225	129	21	56	48	174	207	160	30	4	
DN50	63	70	43	G1/8"	G2"	196	249	143	27	68	60	193	227	190	30	4	
DN50	90	94	56	G1/4"	G2"	206	268	143	27	68	60	202	235	190	30	4	
DN65	90	94	56	G1/4"	G2-1/2"	215	290	188	28	84	76	209	255	230	40	5	
DN80	125	135	73	G1/4"	G3"	295	335	218	34	101	/	/	/	/	/	/	

XQ22HD Series Right angle valve



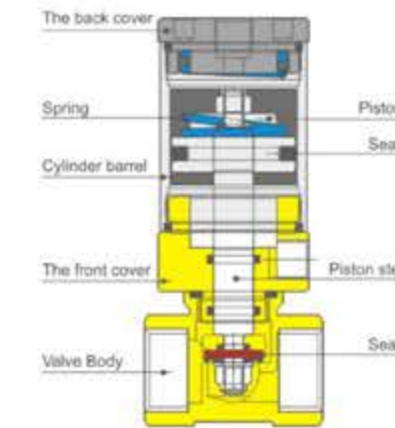
Ordering Code

X	Q	22	HD	□	□	□
XCPC Product	Right angle valve code	Two-position Two-way	Air control liquid valve	Connection Size 15:G1/2" 20:G3/4" 25:G1" 32:G1/4" 40:G1/2" 50:G2"	Type S:Single acting type D:Double acting type K:Normally open	Material Blank: Normal type H: High temperature type

Product Features

Classical design, durable Air control design, energy saving and environmental protection Big flow rate, safety and Precision
Can work at low pressure, smartness for on and off, good seal performance. There are two kinds of structure single acting type and double acting type.
Application: food, medicine, industry, abstersion, landification, printing, etc.
Remark: Normally open: Flow comes under the piston seal, against arrow on body.

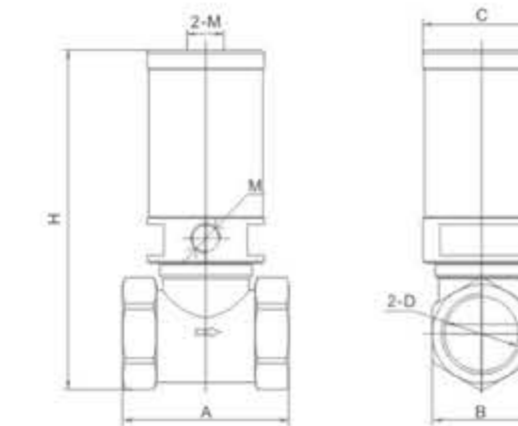
Internal structure



Specification

Model	Orifice	Medium	Working pressure	Temp range	Kv value(m ³ /k)
XQ22HD-15	15mm	Compress	0.2-0.6MPa	-5-60°C	4
XQ22HD-20	20mm				5
XQ22HD-25	25mm	10			
XQ22HD-32	32mm	Air Water Oil		(High temperature)	25
XQ22HD-40	40mm				25
XQ22HD-50	50mm				40


Overall Dimensions



Dimension Sheet

Model	A	B	C	D	H	M
XQ22HD-15	47	26	31	G1/2"	96	G1/8"
XQ22HD-20	54	33	31	G3/4"	102	G1/8"
XQ22HD-25	66	34	38	G1"	115	G1/8"
XQ22HD-32	77	48	46	G1-1/4"	143	G1/8"
XQ22HD-40	86	54	56	G1-1/2"	160	G1/8"
XQ22HD-50	116	67	69	G2"	182	G1/8"

Pneumatic Tube Fittings

XPDJ	MODEL(ϕ D)		XPSJ	MODEL(ϕ D1- ϕ D2)	
	Tube(Metric)	Tube(Inch)		Tube(Metric)	Tube(Inch)
	XPDJ 04	XPDJ 08-06		XPSJ 06-04	XPSJ 1/4-5/32
	XPDJ 06	XPDJ 10-08		XPSJ 08-06	XPSJ 5/16-1/4
	XPDJ 08	XPDJ 12-10		XPSJ 10-08	XPSJ 3/8-5/16
	XPDJ 10			XPSJ 12-10	XPSJ 1-2-3/8
	XPDJ 12				
	XPDJ 06-04				

XPTJ	MODEL(ϕ D1- ϕ D2)		XPP	MODEL(ϕ D)	
	Tube(Metric)	Tube(Inch)		Tube(Metric)	Tube(Inch)
	XPTJ 06-04	XPTJ 1/4-5/32		XPP 04	XPP 5/32
	XPTJ 08-06	XPTJ 5/16-1/4		XPP 06	XPP 3/16
	XPTJ 10-08	XPTJ 3/8-5/16		XPP 08	XPP 1/4
	XPTJ 12-10	XPTJ 1/2-3/8		XPP 10	XPP 5/16
		XPP 12		XPP 3/8	
		XPP 16		XPP 1/2	

XPIG	MODEL(ϕ D1- ϕ D2)		XPM	MODEL(ϕ D)	
	Tube(Metric)	Tube(Inch)		Tube(Metric)	Tube(Inch)
	XPIG 06-04	XPIG 3/16-5/32		XPM 04	XPM 5/32
	XPIG 08-06	XPIG 1/4-5/32		XPM 06	XPM 3/16
	XPIG 10-08	XPIG 1/4-3/16		XPM 08	XPM 1/4
	XPIG 12-10	XPIG 5/16-1/4		XPM 10	XPM 5/16
	XPIG 16-12	XPIG 3/8-5/16		XPM 12	XPM 3/8
		XPIG 1/2-3/8		XPM 14	XPM 1/2
		XPM 16			

XPZA	MODEL(ϕ D)		XPKG	MODEL(ϕ D1- ϕ D2)	
	Tube(Metric)	Tube(Inch)		Tube(Metric)	Tube(Inch)
	XPZA 04	XPZA 5/32		XPKG 06-04	XPKG 3/16-5/32
	XPZA 06	XPZA 3/16		XPKG 08-04	XPKG 1/4-5/32
	XPZA 08	XPZA 1/4		XPKG 08-06	XPKG 5/16-5/32
	XPZA 10	XPZA 5/16		XPKG 10-06	XPKG 3/16-3/16
	XPZA 12	XPZA 3/8		XPKG 10-08	XPKG 5/16-1/4
		XPZA 1/2			XPKG 3/8-1/4
			XPKG 3/8-5/16		



XPK	MODEL(ϕ D)		XPLM	MODEL(ϕ D)	
	Tube(Metric)	Tube(Inch)		Tube(Metric)	Tube(Inch)
	XPK 04	XPK 5/32		XPLM 04	
	XPK 06	XPK 3/16		XPLM 06	
	XPK 08	XPK 1/4		XPLM 08	
		XPK 5/16		XPLM 10	
			XPLM 12		

Pneumatic Tube Fittings

XPHT(2)	MODEL(ϕ D-T)		XPHT(3)	MODEL(ϕ D-T)	
	Tube(Metric)-Thread(R)	Tube(Metric)-Thread(R)		Tube(Metric)-Thread(R)	Tube(Metric)-Thread(R)
	XPHT04 -01(2)	XPHT08 -04(2)		XPHT04 -01(3)	XPHT08 -04(3)
	XPHT04 -02(2)	XPHT10 -01(2)		XPHT04 -02(3)	XPHT10 -01(3)
	XPHT06 -01(2)	XPHT10 -02(2)		XPHT06 -01(3)	XPHT10 -02(3)
	XPHT06 -02(2)	XPHT10 -03(2)		XPHT08 -02(3)	XPHT10 -03(3)
	XPHT06 -03(2)	XPHT10 -04(2)		XPHT06 -03(3)	XPHT10 -04(3)
	XPHT08 -01(2)	XPHT12 -02(2)		XPHT08 -01(3)	XPHT12 -02(3)
	XPHT08 -02(2)	XPHT12 -03(2)		XPHT08 -02(3)	XPHT12 -03(3)
	XPHT08 -03(2)	XPHT12 -04(2)		XPHT08 -03(3)	XPHT12 -04(3)

XPPF	MODEL(ϕ D)		XPU	MODEL(ϕ D)	
	Tube(Metric)	Tube(Inch)		Tube(Metric)	Tube(Inch)
	XPPF04			XPU 04	XPU 5/32
	XPPF06			XPU 06	XPU 3/16
	XPPF07			XPU 08	XPU 1/4
	XPPF08			XPU 10	XPU 5/16
	XPPF10			XPU 12	XPU 3/8
	XPPF12			XPU 14	XPU 1/2
		XPU 16			

XPV	MODEL(ϕ D)		XPE	MODEL(ϕ D)	
	Tube(Metric)	Tube(Inch)		Tube(Metric)	Tube(Inch)
	XPV 04	XPV 5/32		XPE 04	XPE 5/32
	XPV 06	XPV 3/16		XPE 06	XPE 3/16
	XPV 08	XPV 1/4		XPE 08	XPE 1/4
	XPV 10	XPV 5/16		XPE 10	XPE 5/16
	XPV 12	XPV 3/8		XPE 12	XPE 3/8
	XPV 14	XPV 1/2		XPE 14	XPE 1/2
	XPV 16			XPE 16	

XPY	MODEL(ϕ D)		XPG	MODEL(ϕ D1- ϕ D2)	
	Tube(Metric)	Tube(Inch)		Tube(Metric)	Tube(Inch)
	XPY 04	XPY 5/32		XPG 06-04	XPG 3/16-5/32
	XPY 06	XPY 3/16		XPG 08-04	XPG 1/4-5/32
	XPY 08	XPY 1/4		XPG 08-06	XPG 1/4-3/16
	XPY 10	XPY 5/16		XPG 10-06	XPG 5/16-1/4
	XPY 12	XPY 3/8		XPG 10-08	XPG 3/8-5/16
		XPY 1/2		XPG 12-10	XPG 1/2-3/8
		XPG 16-12	XPG 16-14		

XPGE	MODEL(ϕ D1- ϕ D2)		XPEG	MODEL(ϕ D1- ϕ D2)	
	Tube(Metric)	Tube(Inch)		Tube(Metric)	Tube(Inch)
	XPGE 06-04	XPGE 1/4-5/32		XPEG 06-04	XPEG 1/4-5/32
	XPGE 08-06	XPGE 5/16-1/4		XPEG 08-06	XPEG 5/16-1/4
	XPGE 10-08	XPGE 3/8-5/16		XPEG 10-08	XPEG 3/8-5/16
	XPGE 12-10	XPGE 1/2-3/8		XPEG 12-10	XPEG 1/2-3/8
	XPGE 16-12			XPEG 16-12	

Pneumatic Tube Fittings

XPW	MODEL(ϕ D1- ϕ D2)		XPXJ	MODEL(ϕ D1- ϕ D2)
	Tube(Metric)	Tube(Inch)		Tube(Metric)
	XPW 06-04	XPW 3/16-5/32		XPXJ08-06
	XPW 08-06	XPW 1/4-5/32		
	XPW 10-08	XPW 1/4-3/16		
	XPW 12-10	XPW 5/16-1/4		
		XPW 3/8-5/16		
		XPW 1/2-3/8		

XPXG	MODEL(ϕ D1- ϕ D2)		XPXT	MODEL(ϕ D-T)
	Tube(Metric)-Thread(R)			Tube(Metric)-Thread(R)
	XPXG 08-06			XPXT06-01
				XPXT06-02

Pneumatic Tube Fittings With G Thread(o-ring)

XPC-G	MODEL(ϕ D-T)			XPL-G	MODEL(ϕ D-T)		
	Tube(Metric)-Thread(G)				Tube(Metric)-Thread(G)		
	XPC04-G01	XPC08-G02	XPC12-G02		XPL04-G01	XPL08-G02	XPL12-G02
	XPC04-G02	XPC08-G03	XPC12-G03		XPL04-G02	XPL08-G03	XPL12-G03
	XPC06-G01	XPC08-G04	XPC12-G04		XPL06-G01	XPL08-G04	XPL12-G04
	XPC06-G02	XPC10-G01	XPC14-G03		XPL06-G02	XPL10-G01	XPL14-G03
	XPC06-G03	XPC10-G02	XPC14-G04		XPL06-G03	XPL10-G02	XPL14-G04
	XPC06-G04	XPC10-G03	XPC16-G03		XPL06-G04	XPL10-G03	XPL16-G03
	XPC08-G01	XPC10-G04	XPC16-G04		XPL08-G01	XPL10-G04	XPL16-G04

XPB-G	MODEL(ϕ D-T)			XPD-G	MODEL(ϕ D-T)		
	Tube(Metric)-Thread(G)				Tube(Metric)-Thread(G)		
	XPB04-G01	XPB08-G02	XPB12-G02		XPD04-G01	XPD08-G02	XPD12-G02
	XPB04-G02	XPB08-G03	XPB12-G03		XPD04-G02	XPD08-G03	XPD12-G03
	XPB06-G01	XPB08-G04	XPB12-G04		XPD06-G01	XPD08-G04	XPD12-G04
	XPB06-G02	XPB10-G01	XPB14-G03		XPD06-G02	XPD10-G01	XPD14-G03
	XPB06-G03	XPB10-G02	XPB14-G04		XPD06-G03	XPD10-G02	XPD14-G04
	XPB06-G04	XPB10-G03	XPB16-G03		XPD06-G04	XPD10-G03	XPD16-G03
	XPB08-G01	XPB10-G04	XPB16-G04		XPD08-G01	XPD10-G04	XPD16-G04

XPLH-G	MODEL(ϕ D-T)		XPLL-G	MODEL(ϕ D-T)	
	Tube(Metric)-Thread(G)			Tube(Metric)-Thread(G)	
	XPLH 04-G01	XPLH 10-G01		XPLL 04-G01	XPLL 10-G01
	XPLH 04-G02	XPLH 10-G02		XPLL 04-G02	XPLL 10-G02
	XPLH 06-G01	XPLH 10-G03		XPLL 06-G01	XPLL 10-G03
	XPLH 06-G02	XPLH 10-G04		XPLL 06-G02	XPLL 10-G04
	XPLH 06-G03	XPLH 12-G02		XPLL 06-G03	XPLL 12-G02
	XPLH 06-G04	XPLH 12-G03		XPLL 06-G04	XPLL 12-G03
	XPLH 08-G01	XPLH 12-G04		XPLL 08-G01	XPLL 12-G04
	XPLH 08-G02			XPLL 08-G02	XPLL 14-G04
	XPLH 08-G03			XPLL 08-G03	XPLL 16-G03
	XPLH 08-G04			XPLL 08-G04	XPLL 16-G04

Pneumatic Tube Fittings With G Thread(o-ring)

XPX-G	MODEL(ϕ D-T)		XPKD-G	MODEL(ϕ D1- ϕ D2-T)
	Tube(Metric)-Thread(G)			Tube(Metric)-Thread(G)
	XPX 04-G01	XPX 08-G04		XPKD 06-04-G01
	XPX 04-G02	XPX 10-G01		XPKD 08-04-G02
	XPX 06-G01	XPX 10-G02		XPKD 08-06-G02
	XPX 06-G02	XPX 10-G03		XPKD 10-08-G03
	XPX 06-G03	XPX 10-G04		
	XPX 06-G04	XPX 12-G02		
	XPX 08-G01	XPX 12-G03		
	XPX 08-G02	XPX 12-G04		
	XPX 08-G03			
	XPX 08-G03			

XPH-G	MODEL(ϕ D-T)		XPHF-G	MODEL(ϕ D-T)
	Tube(Metric)-Thread(G)			Tube(Metric)-Thread(G)
	XPH 04-G01	XPH 10-G02		XPHF 04-G01
	XPH 06-G01	XPH 10-G03		XPHF 06-G01
	XPH 06-G02	XPH 12-G03		XPHF 06-G02
	XPH 08-G01	XPH 12-G04		XPHF 08-G01
	XPH 08-G02			XPHF 08-G02
	XPH 08-G03			XPHF 08-G03

XPCF-G	MODEL(ϕ D-T)		XPLF-G	MODEL(ϕ D-T)
	Tube(Metric)	Tube(Inch)		Tube(Metric)
	XPCF 04-G01	XPCF 10-G02		XPLF 04-G01
	XPCF 04-G02	XPCF 10-G03		XPLF 04-G02
	XPCF 06-G01	XPCF 10-G04		XPLF 06-G01
	XPCF 06-G02	XPCF 12-G02		XPLF 06-G02
	XPCF 06-G03	XPCF 12-G03		XPLF 06-G03
	XPCF 06-G04	XPCF 12-G04		XPLF 06-G04
	XPCF 08-G01	XPCF 12-G04		XPLF 08-G01
	XPCF 08-G02	XPCF 14-G03		XPLF 08-G02
	XPCF 08-G03	XPCF 14-G04		XPLF 08-G03
	XPCF 08-G04	XPCF 16-G03		XPLF 08-G04

XPOC-G	MODEL(ϕ D-T)		XPXT-G	MODEL(ϕ D-T)
	Tube(Metric)			Tube(Metric)-Thread(G)
	XPOC 04-G01	XPOC 10-G01		XPXT 06-G01
	XPOC 04-G02	XPOC 10-G02		XPXT 06-G02
	XPOC 06-G01	XPOC 10-G03		
	XPOC 06-G02	XPOC 10-G04		
	XPOC 06-G03	XPOC 12-G02		
	XPOC 06-G04	XPOC 12-G03		
	XPOC 08-G01	XPOC 12-G04		
	XPOC 08-G02	XPOC 14-G04		
	XPOC 08-G03	XPOC 16-G03		
	XPOC 08-G04	XPOC 16-G04		

Speed Controls

Feature

- Accurate regulation of an optimal airflow rate for precise motion control.
- Compact and space-saving configuration provides a functionally wide range of airflow rates.
- Available in control method type for metering of unidirectional airflow either entering into or exhausting out of a driving device.

Specification

Fluid Type	Air, Vacuum
Operating Pressure	0-10.2Kgf/cm ² (0-1.0Mpa)
Negative Pressure	-750mm Hg (10Torr)
Operating Temperature Range	0-60°C
Tube Material	Nylon and Polyurethane

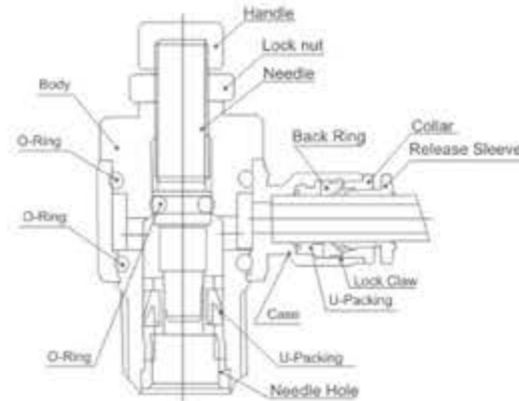
Ordering Code

XJSC	08	02
(1)	(2)	(3)

(1) Model Type
(2) Tube Outer Diameter (φD)

Metric Size	
Code	04 06 08 10 12 14 16
φD	4mm 6mm 8mm 10mm 12mm 14mm 16mm

Construction



(3) Thread Type & Size

	Metric Size		R(PT) Thread			
Code	M5	M6	01	02	03	04
φD	M5×0.8	M6×1	R1/8"	R1/4"	R3/8"	R1/2"

G(PF) Thread	
Code	G01 G02 G03 G04
Size	G1/8" G1/4" G3/8" G1/2"

XJSC	MODEL(φD-T)		
	Tube(Metric)-Thread(R)	Tube(Inch)-Thread(R)	Tube(Inch)-Thread(NPT)
	XJSC 04-M5 XJSC 06-04 XJSC 10-03	XJSC 1/4-M5 XJSC 5/16-02	XJSC 5/32-U XJSC 1/4-N1 XJSC 3/8-N2
	XJSC 04-01 XJSC 08-01 XJSC 10-04	XJSC 1/4-01 XJSC 5/16-03	XJSC 5/32-N1 XJSC 1/4-N2 XJSC 3/8-N3
	XJSC 04-02 XJSC 08-02 XJSC 12-02	XJSC 1/4-02 XJSC 3/8-02	XJSC 3/16-U XJSC 1/4-N3 XJSC 3/8-N4
	XJSC 06-M5 XJSC 08-03 XJSC 12-03	XJSC 5/16-01 XJSC 3/8-03	XJSC 3/16-N1 XJSC 5/16-N1 XJSC 1/2-N3
	XJSC 06-01 XJSC 08-04 XJSC 12-04		XJSC 3/16-N2 XJSC 5/16-N2 XJSC 1/2-N4
	XJSC 06-02 XJSC 10-01		XJSC 3/16-N3 XJSC 5/16-N3
	XJSC 06-03 XJSC 10-02		XJSC 1/4-U XJSC 5/16-N4

XJSC-G	MODEL(φD-T)		XPA	MODEL(φD)	
	Tube(Metric)			Tube(Metric)	Tube(Inch)
	XJSC04-G01 XJSC08-G02 XJSC12-G02			XPA 04	XPA 5/32
	XJSC04-G02 XJSC08-G03 XJSC12-G03			XPA 06	XPA 3/16
	XJSC06-G01 XJSC08-G04 XJSC12-G04			XPA 08	XPA 1/4
	XJSC06-G02 XJSC10-G01			XPA 10	XPA 5/16
	XJSC06-G03 XJSC10-G02			XPA 12	XPA 3/8
	XJSC06-G04 XJSC10-G03				XPA 1/2
	XJSC08-G01 XJSC10-G04				

XSS	MODEL(φD-T)		XSS-G	MODEL(φD-T)	
	Tube(Metric)	Tube(Inch)		Tube(Metric)	
	XSS04-01	XSS1/4-N01		XSS04-G01	
	XSS04-02	XSS1/4-N02		XSS04-G02	
	XSS06-01	XSS5/16-N01		XSS06-G01	
	XSS06-02	XSS5/16-N02		XSS06-G02	
	XSS08-01	XSS3/8-N02		XSS08-G01	
	XSS08-02	XSS3/8-N03		XSS08-G02	
	XSS10-02	XSS1/2-N02		XSS10-G02	
	XSS10-03	XSS1/2-N03		XSS10-G03	
	XSS12-03			XSS12-G02	
				XSS12-G03	

Mini Fittings

Feature

- Ideal for pneumatic connections specifically for small and compact equipments.
- Aesthetically pleasing nickel-plated metallic standardized feature for all applicable compact fittings.

Specification

Fluid Type	Air, Vacuum
Operating Pressure	0-10.2Kgf/cm ² (0-1.0Mpa)
Negative Pressure	-750mm Hg (10Torr)
Operating Temperature Range	0-60°C
Tube Material	Nylon and Polyurethane

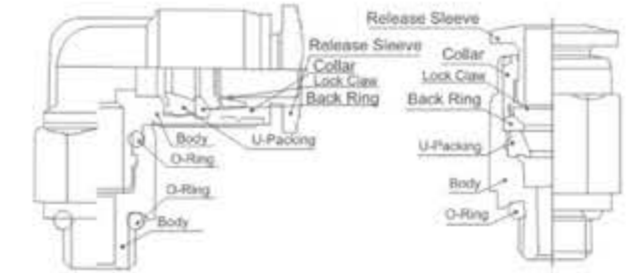
Ordering Code

XPC	08	02	C
(1)	(2)	(3)	(4)

(1) Model Type
(2) Tube Outer Diameter (φD)

Metric Size	
Code	03 04 06
φD	3mm 4mm 6mm

Construction



(3) Thread Type & Size

Metric Size			
Code	M3	M5	M6
φD	M3×0.5	M5×0.8	M6×1

Taper Pipe Thread		
R(PT) Thread		
Code	01	G01
Size	R1/8"	G1/4"

(4) Compact Type

XPC-C	MODEL(φD-T)		XPB-C	MODEL(φD1-T)	
	Tube(Metric)			Tube(Metric)	
	XPC03-M3C	XPC04-01C		XPB03-M3C	XPB04-01C
	XPC03-M5C	XPC06-M5C		XPB03-M5C	XPB06-M5C
	XPC03-M6C	XPC06-M6C		XPB03-M6C	XPB06-M6C
	XPC04-M3C	XPC06-01C		XPB04-M3C	XPB06-01C
	XPC04-M5C			XPB04-M5C	
	XPC04-M6C			XPB04-M6C	

XPCF-C	MODEL(φD-T)		XPD-C	MODEL(φD-T)	
	Tube(Metric)			Tube(Metric)	
	XPCF03-M3C	XPCF04-01C		XPD03-M3C	XPD04-01C
	XPCF03-M5C	XPCF06-M5C		XPD03-M5C	XPD06-M5C
	XPCF03-M6C	XPCF06-M6C		XPD03-M6C	XPD06-M6C
	XPCF04-M3C	XPCF06-01C		XPD04-M3C	XPD06-01C
	XPCF04-M5C			XPD04-M5C	
	XPCF04-M6C			XPD04-M6C	

XPOC-C	MODEL(φD-T)		XPLL-C	MODEL(φD-T)	
	Tube(Metric)			Tube(Metric)	
	XPOC03-M3C	XPOC04-01C		XPLL03-M3C	XPLL04-01C
	XPOC03-M5C	XPOC06-M5C		XPLL03-M5C	XPLL06-M5C
	XPOC03-M6C	XPOC06-M6C		XPLL03-M6C	XPLL06-M6C
	XPOC04-M3C	XPOC06-01C		XPLL04-M3C	XPLL06-01C
	XPOC04-M5C			XPLL04-M5C	
	XPOC04-M6C			XPLL04-M6C	

Mini Fittings

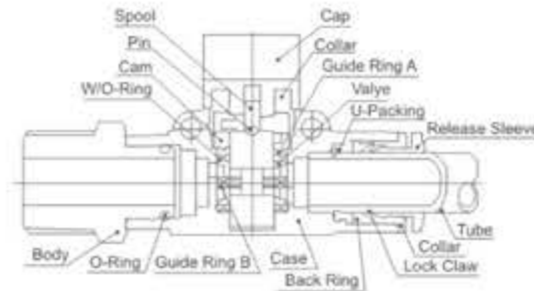
XPL-C	MODEL(φ D-T) Tube(Metric)	XPE-C	MODEL(φ D) Tube(Metric)	XPU-C	MODEL(φ D) Tube(Metric)
	XPL03-M3C XPL04-01C XPL03-M5C XPL06-M5C XPL03-M6C XPL06-M6C XPL04-M3C XPL06-01C XPL04-M5C XPL04-M6C		PE 03C PE 04C PE 06C		XPU03C XPU04C XPU06C
XPY-C	MODEL(φ D) Tube(Metric)	XPUL-C	MODEL(φ D) Tube(Metric)	XPC-G-C	MODEL(φ D-T) Tube(Metric)
	XPY 03C XPY 04C XPY 06C		XPUL 03C XPUL 04C XPUL 06C		PC 04-G01C PC 04-G01C
XPG-C	MODEL(φ D1-φ D2) Tube(Metric)	XPL-G-C	MODEL(φ D-T) Tube(Metric)	XPW-C	MODEL(φ D1-φ D2) Tube(Metric)
	XPG 04-03C XPG 06-03C XPG 06-04C		PL 04-G01C PL 04-G01C		XPW 04-03C XPW 06-03C XPW 06-04C

Hand Valve

Feature

Construction

- The source of pressure can completely shut off by simply turning the knob.
- Three-way directional control configuration releases the residual internal pressure on the output side when manually Closed.
- Idea for inspecting or repairing any devices without compromising the safety.
- Directionality of airflow may be selected from the tubing or threaded input side to the tubing or threaded output side.



Specification

Fluid Type	Air, Vacuum
Operating Pressure	0~10.2Kgf/cm ² (0~1.0Mpa)
Negative Pressure	-750mm Hg(1.0Torr)
Operating Temperature Range	0~60℃
Tube Material	Nylon and Polyurethane

Ordering Code

XHVFF	08	02
(1)	(2)	(3)

(1) Model Type
(2) Tube Outer Diameter(φ D)

	Metric Size						
Code	04	06	08	10	12	14	16
φ D	4mm	6mm	8mm	10mm	12mm	14mm	16mm

(3) Thread Type & Size

Metric Size

	Metric Size		
Code	M5	M6	M8
φ D	M5×0.8	M6×1	M8×1

Taper Pipe Thread

	R(PT) Thread				G(PF) Thread			
Code	01	02	03	04	G01	G02	G03	G04
Size	R1/8"	R1/4"	R3/8"	R1/2"	G1/8"	G1/4"	G3/8"	G1/2"

Hand Valve/Ball Valve

XHVFF	MODEL(φ D1-φ D2) Tube(Metric)	XHVSS	MODEL(T1-T2) Tube(Metric)
	XHVFF 06-06 XHVFF 08-06 XHVFF 08-08 XHVFF 10-08 XHVFF 10-10 XHVFF 12-10 XHVFF 12-12		XHVSS 01-01 XHVSS 02-01 XHVSS 02-02 XHVSS 03-02 XHVSS 03-03 XHVSS 04-03 XHVSS 04-04

XHVSF	MODEL(φ D-T) Tube(Metric)-Thread(R)	XHVFS	MODEL(φ D-T) Tube(Metric)-Thread(R)
	XHVSF 06-01 XHVSF 10-03 XHVSF 06-02 XHVSF 10-04 XHVSF 06-03 XHVSF 12-02 XHVSF 08-01 XHVSF 12-03 XHVSF 08-02 XHVSF 12-04 XHVSF 08-03 XHVSF 10-02		XHVFS 06-01 XHVFS 10-02 XHVFS 06-02 XHVFS 10-03 XHVFS 06-03 XHVFS 10-04 XHVFS 08-01 XHVFS 12-02 XHVFS 08-02 XHVFS 12-03 XHVFS 08-03 XHVFS 12-04

XHVFS-G	MODEL(φ D-T) Tube(Metric)-Thread(R)	XHVSF-G	MODEL(φ D-T) Tube(Metric)-Thread(R)
	XHVFS 06-G01 XHVFS 12-G02 XHVFS 06-G02 XHVFS 12-G03 XHVFS 06-G03 XHVFS 12-G04 XHVFS 08-G01 XHVFS 08-G02 XHVFS 08-G03 XHVFS 10-G02 XHVFS 10-G03 XHVFS 10-G04		XHVSF 06-G01 XHVSF 12-G02 XHVSF 06-G02 XHVSF 12-G03 XHVSF 06-G03 XHVSF 12-G04 XHVSF 08-G01 XHVSF 08-G02 XHVSF 08-G03 XHVSF 10-G02 XHVSF 10-G03 XHVSF 10-G04

XHVSS-G	MODEL(T1-T2) Tube(Metric)-Thread(R)
	XHVSS 01-G01(B) XHVSS 02-G01(B) XHVSS 02-G02(B) XHVSS 03-G02(B) XHVSS 03-G03(B) XHVSS 04-G03(B) XHVSS 04-G04(B)

Stop Fittings

Feature

- Flow of air is completely stopped upon disconnecting the tube and reinstated upon reconnecting the tube.
- Dual-passage mechanism allows the pressure source to be originated from either side of the pneumatic connection.
- Ideal for pneumatic applications where tubing connections are frequently re-arranged.
- Suitable for experimenting, testing, demonstration, and educating various pneumatic applications.

Specification

Fluid Type	Air, Vacuum
Operating Pressure	0~10.2Kgf/cm ² (0~1.0Mpa)
Negative Pressure	-750mm Hg(10Torr)
Operating Temperature Range	0~60℃
Tube Material	Nylon and Polyurethane

XSPC



MODEL(φ D-T)	
Tube(Metric)	
XSPC 04-01	XSPC 10-03
XSPC 06-01	XSPC 10-04
XSPC 06-02	XSPC 12-02
XSPC 08-02	XSPC 12-03
XSPC 08-03	XSPC 12-04
XSPC 10-02	

XSPU



MODEL(φ D)	
Tube(Metric)	
XSPU 04	
XSPU 06	
XSPU 08	
XSPU 10	
XSPU 12	

XSPC-G



MODEL(φ D-T)	
Tube(Metric)	
XSPC 04-G01	XSPC 10-G03
XSPC 06-G01	XSPC 10-G04
XSPC 06-G02	XSPC 12-G02
XSPC 06-G02	XSPC 12-G03
XSPC 08-G03	XSPC 12-G04

Check Valves

Feature

- Anti-directionality of airflow is maintained while the flow of air in the opposite direction is completely prevented.
- Constant input and output air pressure is achieved due to the controlled directionality of airflow.
- Suitable for the pneumatic applications under low operational pressure conditions.

Specification

Fluid Type	Air, Vacuum
Operating Pressure	0~10.2Kgf/cm ² (0~1.0Mpa)
Negative Pressure	-750mm Hg(10Torr)
Operating Temperature Range	0~60℃
Tube Material	Nylon and Polyurethane

XCVPC



MODEL(φ D-T)	
Tube(Metric)	
XCVPC 04-M5	XCVPC 08-02
XCVPC 04-M6	XCVPC 10-02
XCVPC 04-01	XCVPC 10-03
XCVPC 06-01	XCVPC 10-04
XCVPC 06-02	XCVPC 12-03
XCVPC 08-01	XCVPC 12-04

XCVPU



MODEL(φ D)	
Tube(Metric)	
XCVPU 04	
XCVPU 06	
XCVPU 08	
XCVPU 10	
XCVPU 12	

XCVPF



MODEL(T1-T2)	
Tube(Metric)	
XCVPF 01-01	
XCVPF 02-02	
XCVPF 03-03	
XCVPF 04-04	

XCVPC-G



MODEL(φ D-T)	
Tube(Metric)	
XCVPV 04-G01	XCVPV 10-G04
XCVPV 06-G01	XCVPV 12-G03
XCVPV 06-G02	XCVPV 12-G04
XCVPV 08-G01	
XCVPV 08-G02	
XCVPV 10-G03	

Metal Push-In Fittings

XMPC



Male Stud

MODEL(φ D-T)	Tube(Metric)-Thread(R)			Tube(Inch)-Thread(R)			Tube(Inch)-Thread(NPT)		
	Tube(Metric)	Thread(R)	Tube(Inch)	Thread(R)	Tube(Inch)	Thread(NPT)	Tube(Inch)	Thread(NPT)	
XMPC03-M3	XMPC06-01	XMPC10-04	XMPC1/8-01	XMPC1/4-03	XMPC1/2-02	XMPC1/8-U10	XMPC3/16-N03	XMPC3/8-N01	
XMPC03-M5	XMPC06-02	XMPC12-02	XMPC1/8-02	XMPC5/16-01	XMPC1/2-03	XMPC1/8-N01	XMPC1/4-U10	XMPC3/8-N02	
XMPC04-M5	XMPC08-01	XMPC12-03	XMPC5/32-01	XMPC5/16-02	XMPC1/2-04	XMPC1/8-N02	XMPC1/4-N01	XMPC3/8-N03	
XMPC04-01	XMPC08-02	XMPC12-04	XMPC5/32-02	XMPC5/16-03		XMPC5/32-U10	XMPC1/4-N02	XMPC3/8-N04	
XMPC04-02	XMPC08-03	XMPC14-03	XMPC3/16-01	XMPC5/16-04		XMPC5/32-N01	XMPC1/4-N03	XMPC1/2-N02	
XMPC05-M5	XMPC08-04	XMPC14-04	XMPC3/16-02	XMPC3/8-01		XMPC5/32-N02	XMPC5/16-N01	XMPC1/2-N03	
XMPC05-01	XMPC10-01	XMPC16-03	XMPC3/16-03	XMPC3/8-02		XMPC3/16-U10	XMPC5/16-N02	XMPC1/2-N04	
XMPC05-02	XMPC10-02	XMPC16-04	XMPC1/4-01	XMPC3/8-03		XMPC3/16-N01	XMPC5/16-N03		
XMPC06-M5	XMPC10-03		XMPC1/4-02	XMPC3/8-04		XMPC3/16-N02	XMPC5/16-N04		

XMPOC



Round Male Stud

MODEL(φ D-T)	Tube(Metric)-Thread(R)			Tube(Inch)-Thread(R)			Tube(Inch)-Thread(NPT)		
	Tube(Metric)	Thread(R)	Tube(Inch)	Thread(R)	Tube(Inch)	Thread(NPT)	Tube(Inch)	Thread(NPT)	
XMPOC03-M3	XMPOC06-01	XMPOC10-04	XMPOC1/8-01	XMPOC1/4-03	XMPOC1/2-02	XMPOC1/8-U10	XMPOC3/16-N03	XMPOC3/8-N01	
XMPOC03-M5	XMPOC06-02	XMPOC12-02	XMPOC1/8-02	XMPOC5/16-01	XMPOC1/2-03	XMPOC1/8-N01	XMPOC1/4-U10	XMPOC3/8-N02	
XMPOC04-M5	XMPOC08-01	XMPOC12-03	XMPOC5/32-01	XMPOC5/16-02	XMPOC1/2-04	XMPOC1/8-N02	XMPOC1/4-N01	XMPOC3/8-N03	
XMPOC04-01	XMPOC08-02	XMPOC12-04	XMPOC5/32-02	XMPOC5/16-03		XMPOC5/32-U10	XMPOC1/4-N02	XMPOC3/8-N04	
XMPOC04-02	XMPOC08-03	XMPOC14-03	XMPOC3/16-01	XMPOC5/16-04		XMPOC5/32-N01	XMPOC1/4-N03	XMPOC1/2-N02	
XMPOC05-M5	XMPOC08-04	XMPOC14-04	XMPOC3/16-02	XMPOC3/8-01		XMPOC5/32-N02	XMPOC5/16-N01	XMPOC1/2-N03	
XMPOC05-01	XMPOC10-01	XMPOC16-03	XMPOC3/16-03	XMPOC3/8-02		XMPOC3/16-U10	XMPOC5/16-N02	XMPOC1/2-N04	
XMPOC05-02	XMPOC10-02	XMPOC16-04	XMPOC1/4-01	XMPOC3/8-03		XMPOC3/16-N01	XMPOC5/16-N03		
XMPOC06-M5	XMPOC10-03		XMPOC1/4-02	XMPOC3/8-04		XMPOC3/16-N02	XMPOC5/16-N04		

XMPCF



Female Stud

MODEL(φ D-T)	Tube(Metric)-Thread(RC)			Tube(Inch)-Thread(R)			Tube(Inch)-Thread(NPT)		
	Tube(Metric)	Thread(RC)	Tube(Inch)	Thread(R)	Tube(Inch)	Thread(NPT)	Tube(Inch)	Thread(NPT)	
XMPCF04-01	XMPCF08-04	XMPCF14-03	XMPCF1/8-01	XMPCF1/4-03	XMPCF1/2-02	XMPCF1/8-N01	XMPCF1/4-N03	XMPCF3/8-N04	
XMPCF04-02	XMPCF10-01	XMPCF14-04	XMPCF1/8-02	XMPCF5/16-01	XMPCF1/2-03	XMPCF1/8-N02	XMPCF1/4-U10	XMPCF1/2-N02	
XMPCF05-01	XMPCF10-02	XMPCF16-03	XMPCF5/32-01	XMPCF5/16-02	XMPCF1/2-04	XMPCF5/32-N01	XMPCF5/16-N01	XMPCF1/2-N03	
XMPCF05-02	XMPCF10-03	XMPCF16-04	XMPCF5/32-02	XMPCF5/16-03		XMPCF5/32-N02	XMPCF5/16-N02	XMPCF1/2-N04	
XMPCF06-01	XMPCF10-04		XMPCF3/16-01	XMPCF5/16-04		XMPCF3/16-N01	XMPCF5/16-N03		
XMPCF06-02	XMPCF12-01		XMPCF3/16-02	XMPCF3/8-01		XMPCF3/16-N02	XMPCF5/16-N04		
XMPCF08-01	XMPCF12-02		XMPCF3/16-03	XMPCF3/8-02		XMPCF3/16-N03	XMPCF3/8-N01		
XMPCF08-02	XMPCF12-03		XMPCF1/4-01	XMPCF3/8-03		XMPCF1/4-N01	XMPCF3/8-N02		
XMPCF08-03	XMPCF12-04		XMPCF1/4-02	XMPCF3/8-04		XMPCF1/4-N02	XMPCF3/8-N03		

XMPL



Male Stud Swive Elbow

MODEL(φ D-T)	Tube(Metric)-Thread(R)			Tube(Inch)-Thread(R)			Tube(Inch)-Thread(NPT)		
	Tube(Metric)	Thread(R)	Tube(Inch)	Thread(R)	Tube(Inch)	Thread(NPT)	Tube(Inch)	Thread(NPT)	
XMPL03-M3	XMPL06-01	XMPL10-04	XMPL1/8-01	XMPL1/4-03	XMPL1/2-02	XMPL1/8-U10	XMPL3/16-N03	XMPL3/8-N01	
XMPL03-M5	XMPL06-02	XMPL12-02	XMPL1/8-02	XMPL5/16-01	XMPL1/2-03	XMPL1/8-N01	XMPL1/4-U10	XMPL3/8-N02	
XMPL04-M5	XMPL08-01	XMPL12-03	XMPL5/32-01	XMPL5/16-02	XMPL1/2-04	XMPL1/8-N02	XMPL1/4-N01	XMPL3/8-N03	
XMPL04-01	XMPL08-02	XMPL12-04	XMPL5/32-02	XMPL5/16-03		XMPL5/32-U10	XMPL1/4-N02	XMPL3/8-N04	
XMPL04-02	XMPL08-03	XMPL14-03	XMPL3/16-01	XMPL5/16-04		XMPL5/32-N01	XMPL1/4-N03	XMPL1/2-N02	
XMPL05-M5	XMPL08-04	XMPL14-04	XMPL3/16-02	XMPL3/8-01		XMPL5/32-N02	XMPL5/16-N01	XMPL1/2-N03	
XMPL05-01	XMPL10-01	XMPL16-03	XMPL3/16-03	XMPL3/8-02		XMPL3/16-U10	XMPL5/16-N02	XMPL1/2-N04	
XMPL05-02	XMPL10-02	XMPL16-04	XMPL1/4-01	XMPL3/8-03		XMPL3/16-N01	XMPL5/16-N03		
XMPL06-M5	XMPL10-03		XMPL1/4-02	XMPL3/8-04		XMPL3/16-N02	XMPL5/16-N04		

XMPLN



Male Stud Elbow

MODEL(φ D-T)	Tube(Metric)-Thread(R)			Tube(Inch)-Thread(R)			Tube(Inch)-Thread(NPT)		
	Tube(Metric)	Thread(R)	Tube(Inch)	Thread(R)	Tube(Inch)	Thread(NPT)	Tube(Inch)	Thread(NPT)	
XMPLN03-M3	XMPLN06-01	XMPLN10-04	XMPLN1/8-01	XMPLN1/4-03	XMPLN1/2-02	XMPLN1/8-U10	XMPLN3/16-N03	XMPLN3/8-N01	
XMPLN03-M5	XMPLN06-02	XMPLN12-02	XMPLN1/8-02	XMPLN5/16-01	XMPLN1/2-03	XMPLN1/8-N01	XMPLN1/4-U10	XMPLN3/8-N02	
XMPLN04-M5	XMPLN08-01	XMPLN12-03	XMPLN5/32-01	XMPLN5/16-02	XMPLN1/2-04	XMPLN1/8-N02	XMPLN1/4-N01	XMPLN3/8-N03	
XMPLN04-01	XMPLN08-02	XMPLN12-04	XMPLN5/32-02	XMPLN5/16-03		XMPLN5/32-U10	XMPLN1/4-N02	XMPLN3/8-N04	
XMPLN04-02	XMPLN08-03	XMPLN14-03	XMPLN3/16-01	XMPLN5/16-04		XMPLN5/32-N01	XMPLN1/4-N03	XMPLN1/2-N02	
XMPLN05-M5	XMPLN08-04	XMPLN14-04	XMPLN3/16-02	XMPLN3/8-01		XMPLN5/32-N02	XMPLN5/16-N01	XMPLN1/2-N03	
XMPLN05-01	XMPLN10-01	XMPLN16-03	XMPLN3/16-03	XMPLN3/8-02		XMPLN3/16-U10	XMPLN5/16-N02	XMPLN1/2-N04	
XMPLN05-02	XMPLN10-02	XMPLN16-04	XMPLN1/4-01	XMPLN3/8-03		XMPLN3/16-N01	XMPLN5/16-N03		
XMPLN06-M5	XMPLN10-03		XMPLN1/4-02	XMPLN3/8-04		XMPLN3/16-N02	XMPLN5/16-N04		

Metal Push-In Fittings

XMPGJ



Plug-In Reducer

MODEL(ϕ D1- ϕ D2)	
Tube(Metric)	Tube(Inch)
XMPGJ 06-04	XMPGJ 1/4-5/32
XMPGJ 08-04	XMPGJ 5/16-5/32
XMPGJ 08-06	XMPGJ 5/16-1/4
XMPGJ 10-06	XMPGJ 3/8-1/4
XMPGJ 10-08	XMPGJ 3/8-5/16
XMPGJ 12-06	XMPGJ 1/2-1/4
XMPGJ 12-08	
XMPGJ 12-10	

XMPLJ



Plug-In Elbow

MODEL(ϕ D)	
Tube(Metric)	Tube(Inch)
XMPLJ 04	XMPLJ 1/8
XMPLJ 05	XMPLJ 5/32
XMPLJ 06	XMPLJ 3/16
XMPLJ 08	XMPLJ 1/4
XMPLJ 10	XMPLJ 5/16
XMPLJ 12	XMPLJ 3/8
XMPLJ 14	XMPLJ 1/2
XMPLJ 16	

XMPLGJ



Plug-In Reducer Elbow

MODEL(ϕ D1- ϕ D2)	
Tube(Metric)	Tube(Inch)
XMPLGJ 06-04	XMPLGJ 1/4-5/32
XMPLGJ 08-04	XMPLGJ 5/16-5/32
XMPLGJ 08-06	XMPLGJ 5/16-1/4
XMPLGJ 10-06	XMPLGJ 3/8-1/4
XMPLGJ 10-08	XMPLGJ 3/8-5/16
XMPLGJ 12-06	XMPLGJ 1/2-1/4
XMPLGJ 12-08	
XMPLGJ 12-10	

XMPTJ



Plug-In Tee

MODEL(ϕ D)	
Tube(Metric)	Tube(Inch)
XMPTJ 04	XMPTJ 1/8
XMPTJ 05	XMPTJ 5/32
XMPTJ 06	XMPTJ 3/16
XMPTJ 08	XMPTJ 1/4
XMPTJ 10	XMPTJ 5/16
XMPTJ 12	XMPTJ 3/8
XMPTJ 14	XMPTJ 1/2
XMPTJ 16	

XMPTGJ



Plug-In Reducer Tee

MODEL(ϕ D1- ϕ D2)	
Tube(Metric)	Tube(Inch)
XMPTGJ 06-04	XMPTGJ 1/4-5/32
XMPTGJ 08-04	XMPTGJ 5/16-5/32
XMPTGJ 08-06	XMPTGJ 5/16-1/4
XMPTGJ 10-06	XMPTGJ 3/8-1/4
XMPTGJ 10-08	XMPTGJ 3/8-5/16
XMPTGJ 12-06	XMPTGJ 1/2-1/4
XMPTGJ 12-08	
XMPTGJ 12-10	


XMPDJ



Plug-In Run Tee

MODEL(ϕ D)	
Tube(Metric)	Tube(Inch)
XMPDJ 04	XMPDJ 1/8
XMPDJ 05	XMPDJ 5/32
XMPDJ 06	XMPDJ 3/16
XMPDJ 08	XMPDJ 1/4
XMPDJ 10	XMPDJ 5/16
XMPDJ 12	XMPDJ 3/8
XMPDJ 14	XMPDJ 1/2
XMPDJ 16	


XMPDGJ



Plug-In Reducer Run Tee

MODEL(ϕ D1- ϕ D2)	
Tube(Metric)	Tube(Inch)
XMPDGJ 06-04	XMPDGJ 1/4-5/32
XMPDGJ 08-04	XMPDGJ 5/16-5/32
XMPDGJ 08-06	XMPDGJ 5/16-1/4
XMPDGJ 10-06	XMPDGJ 3/8-1/4
XMPDGJ 10-08	XMPDGJ 3/8-5/16
XMPDGJ 12-06	XMPDGJ 1/2-1/4
XMPDGJ 12-08	
XMPDGJ 12-10	

XMPXJ



Plug-In Y

MODEL(ϕ D)	
Tube(Metric)	Tube(Inch)
XMPXJ 04	XMPXJ 1/8
XMPXJ 05	XMPXJ 5/32
XMPXJ 06	XMPXJ 3/16
XMPXJ 08	XMPXJ 1/4
XMPXJ 10	XMPXJ 5/16
XMPXJ 12	XMPXJ 3/8
XMPXJ 14	XMPXJ 1/2
XMPXJ 16	

XMPXGJ



Plug-In Reducer Y

MODEL(ϕ D1- ϕ D2)	
Tube(Metric)	Tube(Inch)
XMPXGJ 06-04	XMPXGJ 1/4-5/32
XMPXGJ 08-04	XMPXGJ 5/16-5/32
XMPXGJ 08-06	XMPXGJ 5/16-1/4
XMPXGJ 10-06	XMPXGJ 3/8-1/4
XMPXGJ 10-08	XMPXGJ 3/8-5/16
XMPXGJ 12-06	XMPXGJ 1/2-1/4
XMPXGJ 12-08	
XMPXGJ 12-10	

XMBJ




Plug-In Barb

MODEL(ϕ D1- ϕ D2)	
Tube(Metric)	Tube(Inch)
XMBJ 07-04	XMBJ 7-5/32
XMBJ 08-04	XMBJ 8-5/32
XMBJ 08-06	XMBJ 8-1/4
XMBJ 10-06	XMBJ 10-1/4
XMBJ 10-08	XMBJ 10-5/16
XMBJ 12-06	XMBJ 12-1/4
XMBJ 12-08	XMBJ 12-5/16
XMBJ 12-10	XMBJ 12-3/8

Metal Push-In Fittings

XMJ



Plug-In

MODEL(ϕ D)	
Tube(Metric)	Tube(Inch)
XMJ 03	XMJ 1/8
XMJ 04	XMJ 5/32
XMJ 05	XMJ 3/16
XMJ 06	XMJ 1/4
XMJ 08	XMJ 5/16
XMJ 10	XMJ 3/8
XMJ 12	XMJ 1/2
XMJ 14	
XMJ 16	

Metal Push-In Fittings With G Thread (O-Ring)

XMPC-G



Male Stud

MODEL(ϕ D-T)	
Tube(Metric)-Thread(G)	
XMPC03-G01	XMPC10-G02
XMPC04-G01	XMPC10-G03
XMPC04-G02	XMPC10-G04
XMPC05-G01	XMPC12-G01
XMPC05-G02	XMPC12-G02
XMPC06-G01	XMPC12-G03
XMPC06-G02	XMPC12-G04
XMPC08-G01	XMPC14-G03
XMPC08-G02	XMPC14-G04
XMPC08-G03	XMPC16-G03
XMPC08-G04	XMPC16-G04
XMPC10-G01	

XMPOC-G



Round Male Stud

MODEL(ϕ D-T)	
Tube(Metric)-Thread(G)	
XMPOC03-G01	XMPOC10-G02
XMPOC04-G01	XMPOC10-G03
XMPOC04-G02	XMPOC10-G04
XMPOC05-G01	XMPOC12-G01
XMPOC05-G02	XMPOC12-G02
XMPOC06-G01	XMPOC12-G03
XMPOC06-G02	XMPOC12-G04
XMPOC08-G01	XMPOC14-G03
XMPOC08-G02	XMPOC14-G04
XMPOC08-G03	XMPOC16-G03
XMPOC08-G04	XMPOC16-G04
XMPOC10-G01	

XMPL-G



Male Stud Elbow

MODEL(ϕ D-T)	
Tube(Metric)-Thread(G)	
XMPL03-G01	XMPL10-G02
XMPL04-G01	XMPL10-G03
XMPL04-G02	XMPL10-G04
XMPL05-G01	XMPL12-G01
XMPL05-G02	XMPL12-G02
XMPL06-G01	XMPL12-G03
XMPL06-G02	XMPL12-G04
XMPL08-G01	XMPL14-G03
XMPL08-G02	XMPL14-G04
XMPL08-G03	XMPL16-G03
XMPL08-G04	XMPL16-G04
XMPL10-G01	

XMPLL-G



Extended Male Elbow

MODEL(ϕ D-T)	
Tube(Metric)-Thread(G)	
XMPLL04-G01	XMPLL10-G02
XMPLL04-G02	XMPLL10-G03
XMPLL05-G01	XMPLL10-G04
XMPLL05-G02	XMPLL12-G01
XMPLL06-G01	XMPLL12-G02
XMPLL06-G02	XMPLL12-G03
XMPLL08-G01	XMPLL12-G04
XMPLL08-G02	XMPLL14-G03
XMPLL08-G03	XMPLL14-G04
XMPLL08-G04	XMPLL16-G03
XMPLL10-G01	XMPLL16-G04

XMPT-G



Male Stud Branch Tee

MODEL(ϕ D-T)	
Tube(Metric)-Thread(G)	
XMPT04-G01	XMPT10-G02
XMPT04-G02	XMPT10-G03
XMPT05-G01	XMPT10-G04
XMPT05-G02	XMPT12-G01
XMPT06-G01	XMPT12-G02
XMPT06-G02	XMPT12-G03
XMPT08-G01	XMPT12-G04
XMPT08-G02	XMPT14-G03
XMPT08-G03	XMPT14-G04
XMPT08-G04	XMPT16-G03
XMPT10-G01	XMPT16-G04

XMPD-G



Male Run Tee

MODEL(ϕ D-T)	
Tube(Metric)-Thread(G)	
XMPD04-G01	XMPD10-G02
XMPD04-G02	XMPD10-G03
XMPD05-G01	XMPD10-G04
XMPD05-G02	XMPD12-G01
XMPD06-G01	XMPD12-G02
XMPD06-G02	XMPD12-G03
XMPD08-G01	XMPD12-G04
XMPD08-G02	XMPD14-G03
XMPD08-G03	XMPD14-G04
XMPD08-G04	XMPD16-G03
XMPD10-G01	XMPD16-G04

Matel Push-In Fittings With G Thread(O-Ring)

XMPX-G

MODEL(φ D-T)

Tube(Metric)-Thread(G)	
XMPX04-G01	XMPX10-G03
XMPX04-G02	XMPX10-G04
XMPX05-G01	XMPX12-G01
XMPX05-G02	XMPX12-G02
XMPX06-G01	XMPX12-G03
XMPX06-G02	XMPX12-G04
XMPX08-G01	XMPX14-G03
XMPX08-G02	XMPX14-G04
XMPX08-G03	XMPX16-G03
XMPX08-G04	XMPX16-G04
XMPX10-G01	
XMPX10-G02	



Male Y

XMPCJ-G

MODEL(φ D-T)

Tube(Metric)-Thread(G)	
XMPCJ04-G01	XMPCJ10-G03
XMPCJ04-G02	XMPCJ10-G04
XMPCJ05-G01	XMPCJ12-G01
XMPCJ05-G02	XMPCJ12-G02
XMPCJ06-G01	XMPCJ12-G03
XMPCJ06-G02	XMPCJ12-G04
XMPCJ08-G01	XMPCJ14-G03
XMPCJ08-G02	XMPCJ14-G04
XMPCJ08-G03	XMPCJ16-G03
XMPCJ08-G04	XMPCJ16-G04
XMPCJ10-G01	
XMPCJ10-G02	



Male Sandpipe

XMPH-G

MODEL(φ D-T)

Tube(Metric)-Thread(G)	
XMPH04-G01	XMPH10-G03
XMPH04-G02	XMPH10-G04
XMPH05-G01	XMPH12-G01
XMPH05-G02	XMPH12-G02
XMPH06-G01	XMPH12-G03
XMPH06-G02	XMPH12-G04
XMPH08-G01	XMPH14-G03
XMPH08-G02	XMPH14-G04
XMPH08-G03	XMPH16-G03
XMPH08-G04	XMPH16-G04
XMPH10-G01	
XMPH10-G02	



Single Male Banjo

XMDPH-G

MODEL(φ D-T)

Tube(Metric)-Thread(G)	
XMDPH04-G01	XMDPH10-G03
XMDPH04-G02	XMDPH10-G04
XMDPH05-G01	XMDPH12-G01
XMDPH05-G02	XMDPH12-G02
XMDPH06-G01	XMDPH12-G03
XMDPH06-G02	XMDPH12-G04
XMDPH08-G01	XMDPH14-G03
XMDPH08-G02	XMDPH14-G04
XMDPH08-G03	XMDPH16-G03
XMDPH08-G04	XMDPH16-G04
XMDPH10-G01	
XMDPH10-G02	



Double Male Banjo

XMTPH-G

MODEL(φ D-T)

Tube(Metric)-Thread(G)	
XMTPH04-G01	XMTPH10-G03
XMTPH04-G02	XMTPH10-G04
XMTPH05-G01	XMTPH12-G01
XMTPH05-G02	XMTPH12-G02
XMTPH06-G01	XMTPH12-G03
XMTPH06-G02	XMTPH12-G04
XMTPH08-G01	XMTPH14-G03
XMTPH08-G02	XMTPH14-G04
XMTPH08-G03	XMTPH16-G03
XMTPH08-G04	XMTPH16-G04
XMTPH10-G01	
XMTPH10-G02	



Tripe Male Banjo

XPHF-G

MODEL(φ D-T)

Tube(Metric)-Thread(G)	
XPHF04-G01	XPHF10-G03
XPHF04-G02	XPHF10-G04
XPHF05-G01	XPHF12-G01
XPHF05-G02	XPHF12-G02
XPHF06-G01	XPHF12-G03
XPHF06-G02	XPHF12-G04
XPHF08-G01	XPHF14-G03
XPHF08-G02	XPHF14-G04
XPHF08-G03	XPHF16-G03
XPHFD08-G04	XPHF16-G04
XPHF10-G01	
XPHF10-G02	



Male Run Tee

XMPK-G

MODEL(φ D-T)

Tube(Metric)-Thread(G)	
XMPK04-G01	XMPK10-G02
XMPK04-G02	XMPK10-G03
XMPK05-G01	XMPK10-G04
XMPK05-G02	XMPK12-G01
XMPK06-G01	XMPK12-G02
XMPK06-G02	XMPK12-G03
XMPK08-G01	XMPK12-G04
XMPK08-G02	XMPK14-G03
XMPK08-G03	XMPK14-G04
XMPK08-G04	XMPK16-G03
XMPK10-G01	XMPK16-G04



Single Male double Banjo

XMDPK-G

MODEL(φ D-T)

Tube(Metric)-Thread(G)	
XMDPK04-G01	XMDPK10-G02
XMDPK04-G02	XMDPK10-G03
XMDPK05-G01	XMDPK10-G04
XMDPK05-G02	XMDPK12-G01
XMDPK06-G01	XMDPK12-G02
XMDPK06-G02	XMDPK12-G03
XMDPK08-G01	XMDPK12-G04
XMDPK08-G02	XMDPK14-G03
XMDPK08-G03	XMDPK14-G04
XMDPK08-G04	XMDPK16-G03
XMDPK10-G01	XMDPK16-G04



Double Male double Banjo

Matel Push-In Fittings With G Thread(O-Ring)

XMTPK-G

MODEL(φ D-T)

Tube(Metric)-Thread(G)		
XMTPK04-G01	XMTPK08-G03	XMTPK12-G03
XMTPK04-G02	XMTPK08-G04	XMTPK12-G04
XMTPK05-G01	XMTPK10-G01	XMTPK14-G03
XMTPK05-G02	XMTPK10-G02	XMTPK14-G04
XMTPK06-G01	XMTPK10-G03	XMTPK16-G03
XMTPK06-G02	XMTPK10-G04	XMTPK16-G04
XMTPK08-G01	XMTPK12-G01	
XMTPK08-G02	XMTPK12-G02	



Tripe Male double Banjo

Stainless Steel 316 Push-In Fittings

XMPCS

MODEL(φ D-T)

Tube(Metric)-Thread(R)	Tube(Inch)-Thread(G)	Tube(Inch)-Thread(NPT)
XMPCS04-M5	XMPCS08-01	XMPCS10-03
XMPCS04-01	XMPCS08-02	XMPCS10-04
XMPCS04-02	XMPCS08-03	XMPCS12-02
XMPCS06-M5	XMPCS08-04	XMPCS12-03
XMPCS06-01	XMPCS10-01	XMPCS12-04
XMPCS06-02	XMPCS10-02	
XMPCS04-G01	XMPCS08-G03	XMPCS12-G02
XMPCS04-G02	XMPCS08-G04	XMPCS12-G03
XMPCS06-G01	XMPCS10-G01	XMPCS12-G04
XMPCS06-G02	XMPCS10-G02	
XMPCS08-G01	XMPCS10-G03	
XMPCS08-G02	XMPCS10-G04	
XMPCS18-U10	XMPCS14-N01	XMPCS38-N02
XMPCS18-N01	XMPCS14-N02	XMPCS38-N03
XMPCS18-N02	XMPCS14-N03	XMPCS38-N04
XMPCS32-U10	XMPCS16-N01	XMPCS12-N02
XMPCS32-N01	XMPCS16-N02	XMPCS12-N03
XMPCS32-N02	XMPCS16-N03	XMPCS12-N04
XMPCS14-U10	XMPCS38-N01	



Male Stud

XMPLS

MODEL(φ D-T)

Tube(Metric)-Thread(R)	Tube(Inch)-Thread(G)	Tube(Inch)-Thread(NPT)
XMPLS04-M5	XMPLS08-01	XMPLS10-03
XMPLS04-01	XMPLS08-02	XMPLS10-04
XMPLS04-02	XMPLS08-03	XMPLS12-02
XMPLS06-M5	XMPLS08-04	XMPLS12-03
XMPLS06-01	XMPLS10-01	XMPLS12-04
XMPLS06-02	XMPLS10-02	
XMPLS04-G01	XMPLS08-G03	XMPLS12-G02
XMPLS04-G02	XMPLS08-G04	XMPLS12-G03
XMPLS06-G01	XMPLS10-G01	XMPLS12-G04
XMPLS06-G02	XMPLS10-G02	
XMPLS08-G01	XMPLS10-G03	
XMPLS08-G02	XMPLS10-G04	
XMPLS18-U10	XMPLS14-N01	XMPLS38-N02
XMPLS18-N01	XMPLS14-N02	XMPLS38-N03
XMPLS18-N02	XMPLS14-N03	XMPLS38-N04
XMPLS32-U10	XMPLS16-N01	XMPLS12-N02
XMPLS32-N01	XMPLS16-N02	XMPLS12-N03
XMPLS32-N02	XMPLS16-N03	XMPLS12-N04
XMPLS14-U10	XMPLS38-N01	



Male Stud Swivel Elbow

XMPCFS

MODEL(φ D-T)

Tube(Metric)-Thread(R)	Tube(Inch)-Thread(G)	Tube(Inch)-Thread(NPT)
XMPCFS04-M5	XMPCFS10-01	
XMPCFS04-01	XMPCFS10-02	
XMPCFS04-02	XMPCFS10-03	
XMPCFS06-M5	XMPCFS10-04	
XMPCFS06-01	XMPCFS12-02	
XMPCFS06-02	XMPCFS12-03	
XMPCFS08-01	XMPCFS12-04	
XMPCFS08-02		
XMPCFS08-03		
XMPCFS08-04		
XMPCFS04-G01	XMPCFS10-G03	XMPCFS16-N01
XMPCFS04-G02	XMPCFS10-G04	XMPCFS16-N02
XMPCFS06-G01	XMPCFS12-G02	XMPCFS18-N02
XMPCFS06-G02	XMPCFS12-G03	XMPCFS18-N03
XMPCFS08-G01	XMPCFS12-G04	XMPCFS32-U10
XMPCFS08-G02		XMPCFS32-N01
XMPCFS08-G03		XMPCFS32-N02
XMPCFS08-G04		XMPCFS38-N03
XMPCFS10-G01		XMPCFS14-U10
XMPCFS10-G02		XMPCFS38-N04
XMPCFS14-N01	XMPCFS12-N02	
XMPCFS14-N02	XMPCFS12-N03	
XMPCFS14-N03	XMPCFS12-N04	



Female Straight

XMPTS

MODEL(φ D-T)

Tube(Metric)-Thread(R)	Tube(Inch)-Thread(G)	Tube(Inch)-Thread(NPT)
XMPTS04-M5	XMPTS10-01	
XMPTS04-01	XMPTS10-02	
XMPTS04-02	XMPTS10-03	
XMPTS06-M5	XMPTS10-04	
XMPTS06-01	XMPTS12-02	
XMPTS06-02	XMPTS12-03	
XMPTS08-01	XMPTS12-04	
XMPTS08-02		
XMPTS08-03		
XMPTS08-04		
XMPTS04-G01	XMPTS10-G03	XMPTS18-U10
XMPTS04-G02	XMPTS10-G04	XMPTS18-N01
XMPTS06-G01	XMPTS12-G02	XMPTS18-N02
XMPTS06-G02	XMPTS12-G03	XMPTS18-N03
XMPTS08-G01	XMPTS12-G04	XMPTS32-U10
XMPTS08-G02		XMPTS32-N01
XMPTS08-G03		XMPTS32-N02
XMPTS08-G04		XMPTS32-N03
XMPTS14-N01	XMPTS12-N02	
XMPTS14-N02	XMPTS12-N03	
XMPTS14-N03	XMPTS12-N04	



Male Stud Branch Tee

Stainless Steel 316 Push-In Fittings

XMPUCS



Union Straight

MODEL(ϕ D)	
Tube(Metric)	Tube(Inch)
XMPUCS 04	XMPUCS 1/8
XMPUCS 06	XMPUCS 5/32
XMPUCS 08	XMPUCS 1/4
XMPUCS 10	XMPUCS 5/16
XMPUCS 12	XMPUCS 3/8
	XMPUCS 1/2

XMPULS



Union Elbow

MODEL(ϕ D)	
Tube(Metric)	Tube(Inch)
XMPULS 04	XMPULS 1/8
XMPULS 06	XMPULS 5/32
XMPULS 08	XMPULS 1/4
XMPULS 10	XMPULS 5/16
XMPULS 12	XMPULS 3/8
	XMPULS 1/2

XMPUTS



Union Tee

MODEL(ϕ D)	
Tube(Metric)	Tube(Inch)
XMPUTS 04	XMPUTS 1/8
XMPUTS 06	XMPUTS 5/32
XMPUTS 08	XMPUTS 1/4
XMPUTS 10	XMPUTS 5/16
XMPUTS 12	XMPUTS 3/8
	XMPUTS 1/2

XMPMS



Union Elbow

MODEL(ϕ D)	
Tube(Metric)	Tube(Inch)
XMPMS 04	XMPMS 1/8
XMPMS 06	XMPMS 5/32
XMPMS 08	XMPMS 1/4
XMPMS 10	XMPMS 5/16
XMPMS 12	XMPMS 3/8
	XMPMS 1/2

Metal Speed Controls

Feature


- Accurate regulation of an optimal air flow rate for Precise motion control.
- The compact design provides the comparable rang of speed as the larger standard Speed continue roller do.

Specification

Material	Body and collet:Nickel-plated Brass O-ring:NBR(other material is available on request)
Threads	BSPT,BSPP,NPT,Metric threads
Pressure Tube to connect	0.8-16bar(see tube)PU,PE,Nylon 6-11-12
Fluid	Compressed air
Temperature	-10°C~60°C (see data of used tubing)

When You order Control In Type,Pis Put BA The End of Model Type.For Example:MNSE08-02B

XMNSE



Elbow

MODEL(ϕ D-T)					
Tube(Metric)-Thread(R)		Tube(Inch)-Thread(R)		Tube(Inch)-Thread(NPT)	
XMNSE04-M5	XMNSE08-03	XMNSE1/8-01	XMNSE5/16-03	XMNSE1/8-U10	XMNSE1/4-N02
XMNSE04-M6	XMNSE08-04	XMNSE1/8-02	XMNSE5-16-04	XMNSE1/8-N01	XMNSE1/4-N03
XMNSE04-01	XMNSE10-01	XMNSE5/32-01	XMNSE3/8-01	XMNSE1/8-N02	XMNSE5/16-N01
XMNSE04-02	XMNSE10-02	XMNSE5/32-02	XMNSE3/8-02	XMNSE5/32-U10	XMNSE5/16-N02
XMNSE04-03	XMNSE10-03	XMNSE3/16-01	XMNSE3/8-03	XMNSE5/32-N01	XMNSE5/16-N03
XMNSE06-M5	XMNSE10-04	XMNSE3/16-02	XMNSE3/8-04	XMNSE5/32-N02	XMNSE3/8-N01
XMNSE06-M6	XMNSE12-01	XMNSE3/16-03	XMNSE1/2-02	XMNSE3/16-U10	XMNSE3/8-N02
XMNSE06-01	XMNSE12-02	XMNSE1/4-01	XMNSE1/2-03	XMNSE3/16-N01	XMNSE3/8-N03
XMNSE06-02	XMNSE12-03	XMNSE1/4-02	XMNSE1/2-04	XMNSE3/16-N02	XMNSE3/8-N04
XMNSE06-03	XMNSE12-04	XMNSE1/4-03		XMNSE3/16-N03	XMNSE1/2-N02
XMNSE08-01	XMNSE16-03	XMNSE5/16-01		XMNSE1/4-U10	XMNSE1/2-N03
XMNSE08-02	XMNSE16-04	XMNSE5/16-02		XMNSE1/4-N01	XMNSE1/2-N04

Metal Speed Controls

XMNSE-G



Elbow(G thread)

MODEL(ϕ D-T)	
Tube(Inch)-Thread(G)	
XMNSE04-G01	XMNSE10-G02
XMNSE04-G02	XMNSE10-G03
XMNSE05-G01	XMNSE10-G04
XMNSE05-G02	XMNSE12-G01
XMNSE06-G01	XMNSE12-G02
XMNSE06-G02	XMNSE12-G03
XMNSE08-G01	XMNSE12-G04
XMNSE08-G02	XMNSE14-G03
XMNSE08-G03	XMNSE14-G04
XMNSE08-G04	XMNSE16-G03
XMNSE10-G01	XMNSE16-G04


XMNSP-G



Screw Type G thread

MODEL(ϕ D-T)	
Tube(Inch)-Thread(R)	
XMNSP04-G01	XMNSE10-G02
XMNSP04-G02	XMNSE10-G03
XMNSP05-G01	XMNSE10-G04
XMNSP05-G02	XMNSE12-G01
XMNSP06-G01	XMNSE12-G02
XMNSP06-G02	XMNSE12-G03
XMNSP08-G01	XMNSE12-G04
XMNSP08-G02	XMNSE14-G03
XMNSP08-G03	XMNSE14-G04
XMNSP08-G04	XMNSE16-G03
XMNSP10-G01	XMNSE16-G04


XMNSP



Screw type

MODEL(ϕ -T)					
Tube(Metric)-Thread(R)		Tube(Inch)-Thread(R)		Tube(Inch)-Thread(NPT)	
XMNSP04-M5	XMNSP08-03	XMNSP1/8-01	XMNSP5/16-03	XMNSP1/8-U10	XMNSP1/4-N02
XMNSP04-M6	XMNSP08-04	XMNSP1/8-02	XMNSP5-16-04	XMNSP1/8-N01	XMNSP1/4-N03
XMNSP04-01	XMNSP10-01	XMNSP5/32-01	XMNSP3/8-01	XMNSP1/8-N02	XMNSP5/16-N01
XMNSP04-02	XMNSP10-02	XMNSP5/32-02	XMNSP3/8-02	XMNSP5/32-U10	XMNSP5/16-N02
XMNSP04-03	XMNSP10-03	XMNSP3/16-01	XMNSP3/8-03	XMNSP5/32-N01	XMNSP5/16-N03
XMNSP06-M5	XMNSP10-04	XMNSP3/16-02	XMNSP3/8-04	XMNSP3/8-N01	
XMNSP06-M6	XMNSP12-01	XMNSP3/16-03	XMNSP1/2-02	XMNSP3/16-U10	XMNSP3/8-N02
XMNSP06-01	XMNSP12-02	XMNSP1/4-01	XMNSP1/2-03	XMNSP3/16-N01	XMNSP3/8-N03
XMNSP06-02	XMNSP12-03	XMNSP1/4-02	XMNSP1/2-04	XMNSP3/16-N02	XMNSP3/8-N04
XMNSP06-03	XMNSP12-04	XMNSP1/4-03		XMNSP3/16-N03	XMNSP1/2-N02
XMNSP08-01	XMNSP16-03	XMNSP5/16-01		XMNSP1/4-U10	XMNSP1/2-N03
XMNSP08-02	XMNSP16-04	XMNSP5/16-02		XMNSP1/4-N01	XMNSP1/2-N04


XMNSR



Rapid type

MODEL(ϕ D-T)			
Tube(Inch)-Thread(R)	Tube(Inch)-Thread(G)		
XMNSR-5/3-M5	XMNSR-8/6-03	XMNSR-5/3-G01	XMNSR-10/8-G04
XMNSR-5/3-M6	XMNSR-10/8-01	XMNSR-6/4-G01	XMNSR-12/10-G03
XMNSR-5/3-01	XMNSR-10/8-02	XMNSR-6/4-G02	XMNSR-12/10-G04
XMNSR-6/4-M5	XMNSR-10/8-03	XMNSR-6/4-G03	
XMNSR-6/4-M6	XMNSR-10/8-04	XMNSR-8/6-G01	
XMNSR-6/4-01	XMNSR-12/10-03	XMNSR-8/6-G02	
XMNSR-6/4-02	XMNSR-12/10-04	XMNSR-8/6-G03	
XMNSR-8/6-01		XMNSR-10/8-G01	
XMNSR-8/6-01		XMNSR-10/8-G02	
XMNSR-8/6-02		XMNSR-10/8-G03	

XMNSF



Union Straight

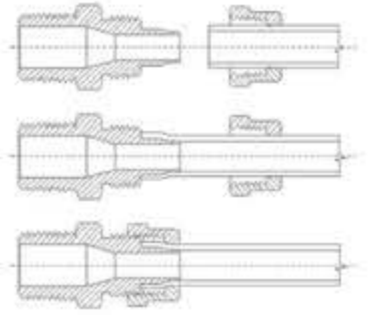
MODEL(ϕ D)	
Tube(Metric)	Tube(Inch)
XMNSF04	XMNSF1/8
XMNSF06	XMNSF5/32
XMNSF08	XMNSF3/16
XMNSF10	XMNSF1/4
XMNSF12	XMNSF5/16
	XMNSF3/8
	XMNSF1/2

Rapid Fittings For The Plastic Tubings

Feature

- The rapid fittings can be used with rigid nylon tubes.
- A locking nut is provided and can be tightened both manually and With a spanner.
- The special shape of the guiding cone ensures that the tube can not be accidentally cut.

Construction



Specification

Material	Body and collet:Nickel-plated Brass O-ring:NBR(other material is available on request)
Threads	BSPT,BSPP,NPT,Metric threads
Pressure	0.8-16bar(see tube)
Fluid	Compressed air
Temperature	-10°C~60°C (see data of used tubing)

Quick coupler

SH			SF			SM		
Model	Size		Model	Size		Model	Size	
SH-20	5/16" Tube		SF-20	1/4 PT		SM-20	1/4 PT	
SH-30	3/8" Tube		SF-30	3/8 PT		SM-30	3/8 PT	
SH-40	1/2" Tube		SF-40	1/2 PT		SM-40	1/2 PT	

SP			PH			PF		
Model	Size		Model	Size		Model	Size	
SP-20	5/16" Tube		PH-20	5/16" Tube		PF-20	1/4 PT	
SP-30	3/8" Tube		PH-30	3/8" Tube		PF-30	3/8 PT	
SP-40	1/2" Tube		PH-40	1/2" Tube		PF-40	1/2 PT	

PM			PP		
Model	Size		Model	Size	
PM-20	1/4 PT		PP-20	5/16" Tube	
PM-30	3/8 PT		PP-30	3/8" Tube	
PM-40	1/2 PT		PP-40	1/2" Tube	

Multipass Quick Coupler

SML	SMT	SMM
		

SMX	SMV	SMY
		

Silencer

B Type Muffler	Code	Screw Thread (Size)	S (mm)	V Type Muffler	Code	Screw Thread (Size)	S (mm)	XB Type Exhaust Muffling Throttle Valve	Code	Screw Thread (Size)	S (mm)
	B-M5	M5	8		V-M5	M5	8		XB-6	1/8"	12
	B-6	1/8"	12		V-6	1/8"	12		XB-8	1/4"	14
	B-8	1/4"	15		V-8	1/4"	15		XB-10	3/8"	17
	B-10	3/8"	19		V-10	3/8"	19		XB-15	1/2"	24
	B-15	1/2"	22		V-15	1/2"	22		XB-20	3/4"	27
	B-20	3/4"	27		V-20	3/4"	30		XB-25	1"	34
	B-25	1"	36		V-25	1"	36				

SC Type Muffler	Code	Screw Thread (Size)	S (mm)	SEB Type Muffler	Code	Screw Thread (Size)	S (mm)	SET Type Muffler Coppler Plating Feet	Code	Screw Thread (Size)	S (mm)
	SC-M5	M5	8.5		SEB-M5	M5	7		SET-6	1/8"	8
	SC-6	1/8"	12		SEB-6	1/8"	12		SET-8	1/4"	10
	SC-8	1/4"	15		SEB-8	1/4"	15		SET-10	3/8"	13
	SC-10	3/8"	19		SEB-10	3/8"	19		SET-15	1/2"	15
	SC-15	1/2"	23		SEB-15	1/2"	23		SET-20	3/4"	19
	SC-20	3/4"	30		SEB-20	3/4"	30		SET-25	1"	24
	SC-25	1"	35		SEB-25	1"	36				

SCQ Type Muffler	Code	Screw Thread (Size)	S (mm)	D Type Muffler	Code	Screw Thread (Size)	S (mm)	C Type Exhaust Muffling Throttle Valve	Code	Screw Thread (Size)	S (mm)
	SCQ-6	1/8"	7		D-6	1/8"	8		C-6	1/8"	13
	SCQ-8	1/4"	8		D-8	1/4"	10		C-8	1/4"	14
	SCQ-10	3/8"	10		D-10	3/8"	15		C-10	3/8"	17
	SCQ-15	1/2"	14		D-15	1/2"	19		C-15	1/2"	22
	SCQ-20	3/4"	17		D-20	3/4"	20		C-20	3/4"	27
	SCQ-25	1"	21		D-25	1"	27		C-25	1"	34

SDV Type Muffler	Code	Screw Thread (Size)	S (mm)	XA Type Exhaust Muffling Throttle Valve	Code	Screw Thread (Size)	S (mm)	SD Type Muffler	Code	Screw Thread (Size)	S (mm)
	SDV-6	1/8"	13		XA-6	1/8"	14		SD-6	1/8"	12
	SDV-8	1/4"	16		XA-8	1/4"	16		SD-8	1/4"	15
	SDV-10	3/8"	19		XA-10	3/8"	17		SD-10	3/8"	19
	SDV-15	1/2"	24		XA-15	1/2"	24		SD-15	1/2"	22
	SDV-20	3/4"	30		XA-20	3/4"	27		SD-20	3/4"	27
	SDV-25	1"	36		XA-25	1"	34		SD-25	1"	34

SEB-B-1 Pivoted And Plated The Nickel Wholly	Code	Screw Thread (Size)	S (mm)	SS-V Type Stainless Steel Muffler	Code	Screw Thread (Size)	S (mm)	SSDV Type Stainless Steel Muffler	Code	Screw Thread (Size)	S (mm)
	SEB-B-1-6	1/8"	12		SS-V-M5	M5	8		SSDV-6	1/8"	13
	SEB-B-1-8	1/4"	15		SS-V-6	1/8"	12		SSDV-8	1/4"	15
	SEB-B-1-10	3/8"	19		SS-V-8	1/4"	15		SSDV-10	3/8"	19
	SEB-B-1-15	1/2"	23		SS-V-10	3/8"	19		SSDV-15	1/2"	24
	SEB-B-1-20	3/4"	30		SS-V-15	1/2"	23		SSDV-20	3/4"	30
	SEB-B-1-25	1"	35		SS-V-20	3/4"	30		SSDV-25	1"	36
					SS-V-25	1"	36				

Silencer

SSM Type Muffler				SS-PDK Type Exhaust Muffling Throttle Valve				PTV Plastic Exhaust Muffling Throttle Valve			
Code	Screw Thread (Size)	S (mm)		Code	Screw Thread (Size)	S (mm)		Code	Screw Thread (Size)	S (mm)	
SSM-M5	M5	8		SS-PDK-6	1/8"	13		PTV-6	1/8"	10	
SSM-6	1/8"	12		SS-PDK-8	1/4"	14		PTV-8	1/4"	14	
SSM-8	1/4"	15		SS-PDK-10	3/8"	17		PTV-10	3/8"	17	
SSM-10	3/8"	19		SS-PDK-15	1/2"	22		PTV-15	1/2"	24	
SSM-15	1/2"	23		SS-PDK-20	3/4"	27		PTV-20	3/4"	30	
SSM-20	3/4"	30		SS-PDK-25	1"	34		PTV-25	1"	36	
SSM-25	1"	36									

SB Type Muffler			LM Type Aluminum Muffler			AM Type Aluminum Muffler		
Code	Screw Thread (Size)	S (mm)	Code	Screw Thread (Size)	S (mm)	Code	Screw Thread (Size)	S (mm)
SB-6	1/8"	11	LM-1	1/8"	20.5	AM-6	1/8"	16
SB-8	1/4"	14	LM-2	1/4"	20.5	AM-8	1/4"	19
SB-10	3/8"	17	LM-3	3/8"	32	AM-10	3/8"	22
SB-15	1/2"	22	LM-4	1/2"	32	AM-15	1/2"	29
SB-20	3/4"	27	LM-6	3/4"	51	AM-20	3/4"	38
SB-25	1"	33	LM-8	1"	51			
SB-32	1-1/4"	43						
SB-40	1-1/2"	51						
SB-50	2"	60						

PSU Type Plastic Muffler			PSE Type Plastic Muffler			SU Type Plastic Muffler		
Code	Screw Thread (Size)	S (mm)	Code	Screw Thread (Size)	S (mm)	Code	Screw Thread (Size)	S (mm)
PSU-M5	M5	7	PSE-M5	M5	7	SU-6	1/8"	16
PSU-6	1/8"	13	PSE-6	1/8"	13	SU-8	1/4"	20
PSU-8	1/4"	17	PSE-8	1/4"	17	SU-10	3/8"	24
PSU-10	3/8"	25	PSE-10	3/8"	25	SU-15	1/2"	24
PSU-15	1/2"	25	PSE-15	1/2"	25	SU-20	3/4"	48
PSU-20	3/4"		PSE-20	3/4"	37	SU-25	1"	48
PSU-25	1"		PSE-25	1"	48			

Air Gun



Tube Cutter



Specification	
Available Tube	Polyurethane and Nylon
Cutting Outer Dia	3.0-14.0
Material	Polyacetal, Stainless Steel

Polyurethane Tube



Ordering Code: **PU 8 x 5 - B - 100M**

Model code: PU Tube
Tube dia OD: 8
Tube dia ID: 5
Tube color: B
Tube length: 100M (200m/roll: 4mm, 6mm; 100m/roll: above 8mm)

Applications:

- Pneumatic system, air tools
- Vacuum
- Automation
- Plant Instrumentation
- Paint supply Lines
- Construction applications
- Motion control devices

Specification:

- Working Medium: Compressed air
- Working-Pressure: 0-1.0MPa
- Service temperature range: -20-80°C
- Durometer: 95 or 98 A

Feature
The Polyurethane tube excels in water-resistant, resistance, weathering resistance and low temperature resistance. It is more flexibility and kink resistance, also the price is cheaper, more suitable to service piping with strict temperature requirements (compared with our Nylon series tube).

Specification

Model	O.D.(mm)	I.D.(mm)	Thickness(mm)	Length M/Roll	Min. bend radius at 20°C(mm)	Min. burst pressure bar at 20°C(bar)	Max. working pressure at 20°C(bar)
PU 4x2.5	4	2.5	0.75	200	10	30	10
PU 6x4	6	4	1.00	200	15	30	10
PU 8x5	8	5	1.50	100	20	30	10
PU 10x6.5	10	6.5	1.75	100	30	30	10
PU 12x8	12	8	2.00	100	35	30	10
PU 16x12	16	12	2.00	100	65	24	8

Above lists are just referred the most basic sizes or styles of our products to you. Note: 1/4", 5/16", 3/8", 1/2", 3/16" and other special sizes are also available.

Color

Color	Transparent	Black	Orange	Blue	Dark blue	Sky blue	Clear blue	Green	Red	Yellow	Grey	Milk white
Code	C	B	O	BU	DB	SB	CB	GN	RD	YW	GY	MW
Supplid	•	•	•	•	•	•	•	•	•	•	•	•

• means our standard colours of tubing, normally have enough stocks.
♦ means the colours of tubing can be produced if ordered quantity meets our requested (contact us for details).

PUL Series Polyurethane Spiral Tube



Ordering Code: **PUL 8 x 5 - 7 - 0**

Model code: PUL Spiral Type
Outer dia.: 8
Inner dia.: 5
Length(m): 7
Tube Color: 0

Feature
Coiling Tube is suitable for piping of air guns, air screwdrivers and other air tools. Piping of movable parts can be achieved within ed space without distorting the joints.

Length Spes

2	3	5	7	10	14	20
2m	3m	5m	7m	10m	14m	20m

OMR Hidro Motorlar

Technical Data

Model	Displacement (ml/rev)	Cont. Speed (r/min)	Cont. Torque (N.m)	Cont. Power (Kw)	Cont. Pressure (Mpa)	Cont. Flow (L/min)	Weight (Kg)
OMR50	51.3	755	100	7.7	14	40	6.7
OMR80	80.6	750	190	15	17.5	60	6.9
OMR100	100.8	600	240	15	17.5	60	6.9
OMR125	124.9	475	292	14	17.5	60	7.2
OMR160	157.2	375	363	14	16.5	60	7.5
OMR200	199.2	300	358	11	13	60	8
OMR250	252	240	352	9	11	60	8.5
OMR315	314.5	190	360	7	8.5	60	9
OMR375	370	160	420	8.6	8.5	60	9.3
OM2-125	124.1	400	215	8.8	17	20	7.2
OM2-160	164.7	310	285	9	17	20	7.8
OM2-200	200	250	347	9	17	20	8.1



20V/25V/35V/45V Paletli Pompalar



PUMP SERIES	DISPLACEMENT (IN ³)	MAX RPM	FLOW AT 1200 RPM (GPM)	MAX PRESSURE (PSI)
20V / VQ	1.1 – 2.80	2400	5.71 – 14.55	3000
25V / VQ	2.47 – 4.12	2400	12.83 – 21.40	3000
35V / VQ	4.12 – 7.42	2400	21.40 – 38.55	3000
45V / VQ	8.46 – 11.80	2400	43.95 – 61.30	3000

Hidrolik Valf Soketi



Ledli AC-DC VALF SOKETİ

GCY-1 TYPE 2 AC 220VZ5 IŞIKLI SOKET | Z5 -3 ayaklı 220VA Şeffaf

GCY-1 TYPE 3 DC 24VDCZ5 IŞIKLI SOKET | Z5 -3 ayaklı 220VA Şeffaf Standart hidrolik valf soketi

Hidrolik Üniteler

Hidrolik Ünite İmalatı

- Yüksek verimli hidrolik ünite, takım tezgahları için önemli tasarruflar sağlar
- Tüm çalışma modlarında enerji tasarrufu sağlar
- Yüksek hassasiyetli makineler için düşük ısıtma ve düşük titreşim
- Kolay çalıştırma ve bakım için son derece güvenilir basit yapı
- Standart birime göre yaklaşık% 40 daha az enerji tüketimi



4WE6 series

Directional spool valve electrically operated type WE6 seies 32

NS 6 up to 35 MPa up to 80 dm³/min



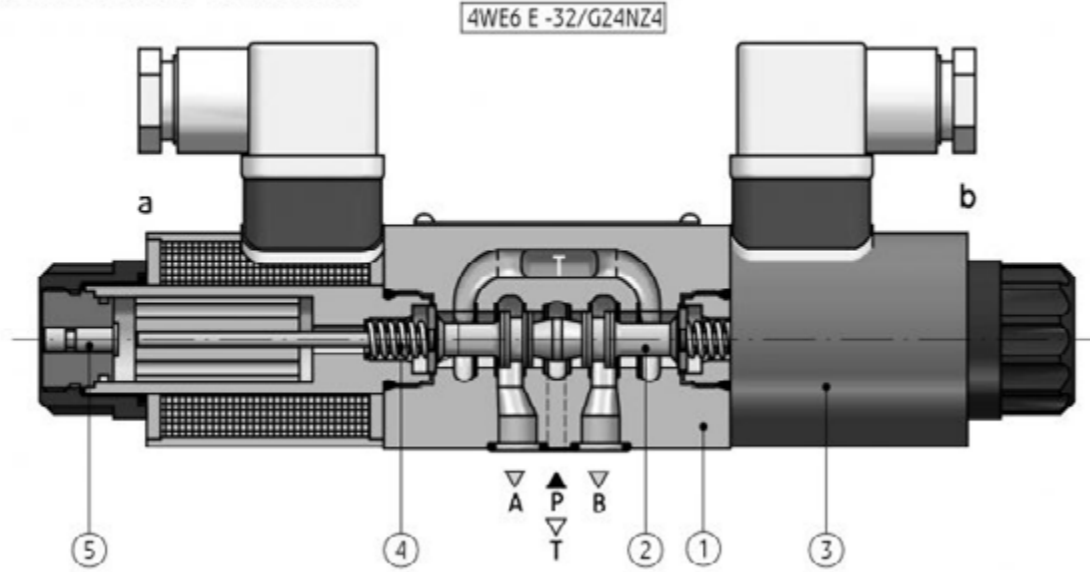
APPLICATION

Directional spool valves type WE6... electrically operated are intended for change in direction of fluid flow in a hydraulic system and thus it allows to change direction of movement of a receiver - mostly piston rod of a cylinder or hydraulic motor as well to use functions: *on* and *off*. These directional spool valves are used for subplate mounting in any position in a hydraulic system.

Directional spool valve is complied with the regulations of directive 2006/95/WE for the following voltages:

- 50 – 250 V for AC
- 75 – 250 V for DC

DESCRIPTION OF OPERATION

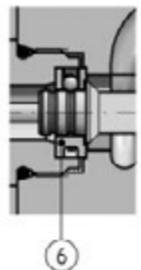


Main elements of directional spool valve type WE6... are: housing (1), solenoids (3), control spool (2), centering springs (4) and manual overrides (5). The spool (2) is shifted when it is moved into one of end positions by the force of solenoid (3) affecting it. The return of the spool into neutral position and centering are secured by the centering springs (4). The shape of the spool (control edge spacing) affects the configuration of connections among the parts: A, B, P and T. Function of ports:

- P - supply port
- T - oil return to the tank
- A, B - ports for a receiver

In case of emergency, the spool can be shifted manually by means of the override (5) - only for version with manual override.

When the situation is anticipated, directional spool valve must be mounted in the way as to be available.



Version WE6.../OF...- only for spools: A, C, D. 2-position directional spool valve without return springs with detent. The spool (2) is positioned and supported with detent (6), and its shift results from supplying voltage to one solenoid (3).

CIRTLI HORTUM KILIFLARI

Çoklu Hortum ve Kabloları bir arada tutmayı sağlar.



Dış etkenlerden Korur.



KORUMA SEVİYESİ



• Halojensiz



• Yağa dayanıklı



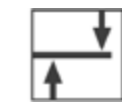
• Aşınmaya dayanıklı



• Kimyasallara dayanıklı



• UV'ye dayanıklı



• Yüksek Mukavemetli

Light-wall very flexible corrugated conduits

For insulation, mechanical protection and environmental preservation of cables in the electrical installation of machinery, industrial equipment and telecommunications.

Para el aislamiento, protección mecánica y preservación ambiental de cables en la instalación eléctrica de máquinas, equipos industriales y telecomunicaciones.

- Made of specially modified polyamide (PA6)
- Special patented profile for housing the ORJ o-ring sealing to provide a higher IP protection
- Free of halogen, phosphorus and cadmium
- Self-extinguishing (HB according to UL94)
- Temperature range: -40°C to +105°C (150°C short term)
- UV resistant (black colour)
- Colours: dark grey and black

- Fabricados en poliamida especial modificada (PA6)
- Perfil especial patentado para alojar junta tórica de estanqueidad ORJ y proporcionar una protección IP superior
- Libres de halógenos, fósforo y cadmio
- Autoextinguibles (HB según UL94)
- Rango de temperaturas: de -40°C a +105°C (150°C por breve tiempo)
- Resistentes a los rayos ultravioleta (color negro)
- Colores: gris oscuro y negro

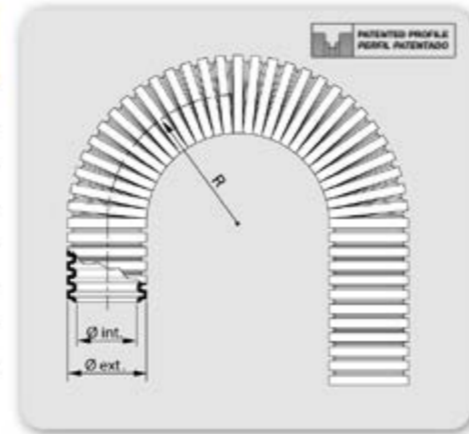
Slit version available under request (add /C at the end of the reference)



Versión con corte longitudinal disponible bajo demanda (añadir /C al final de la referencia)



reference referencia	ND	Ø int.	Ø ext.	Bending radius R Radio de curvatura R	Packing m Embalaje m
GREY GRIS BLACK NEGRO					
ECT-07G ECT-07N	7	6.3	10.0	15	50
ECT-10G ECT-10N	10	9.7	13.0	20	50
ECT-12G ECT-12N	12	12.2	15.8	30	50
ECT-17G ECT-17N	17	16.8	21.2	40	50
ECT-23G ECT-23N	23	22.6	28.5	55	50
ECT-29G ECT-29N	29	28.3	34.5	65	50
ECT-36G ECT-36N	36	36.3	42.5	80	30
ECT-48G ECT-48N	48	47.4	54.5	95	30



Dimensions in mm | Dimensiones en mm

Applications | Aplicaciones



IEC 61386

UL 1696
C22.2 No. 227.3



Medium-wall flexible corrugated conduits

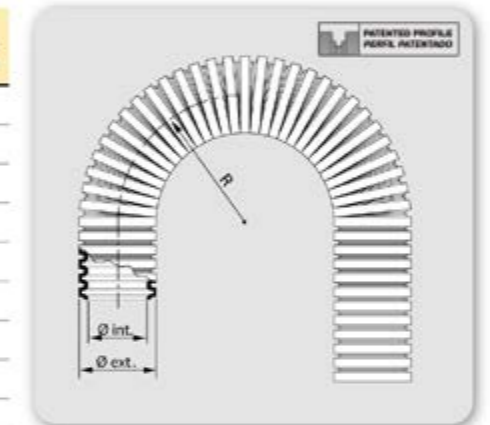
For insulation, mechanical protection and environmental preservation of cables in the electrical installation of machinery, industrial equipment and telecommunications.

Para el aislamiento, protección mecánica y preservación ambiental de cables en la instalación eléctrica de máquinas, equipos industriales y telecomunicaciones.

- Made of specially modified polyamide (PA 6)
- Special patented profile* for housing the ORJ o-ring sealing to provide a higher IP protection
- Free of halogen, phosphorus and cadmium
- Self-extinguishing (V2 acc. to UL94)
- Temperature range: -40°C to +105°C (150°C short term)
- UV resistant (black colour)
- Colours: dark grey and black

- Fabricados en poliamida especial modificada (PA6)
- Perfil especial patentado* para alojar junta tórica de estanqueidad ORJ y proporcionar una protección IP superior
- Libres de halógenos, fósforo y cadmio
- Autoextinguibles (V2 según UL94)
- Rango de temperaturas: de -40°C a +105°C (150°C por breve tiempo)
- Resistentes a los rayos ultravioleta (color negro)
- Colores: gris oscuro y negro

reference referencia	ND	Ø int.	Ø ext.	Bending radius R Radio de curvatura R	Packing m Embalaje m
GREY GRIS BLACK NEGRO					
AGT-07G AGT-07N	7	6.3	10.0	15	50
AGT-10G AGT-10N	10	9.7	13.0	20	50
AGT-12G AGT-12N	12	12.2	15.8	30	50
AGT-17G AGT-17N	17	16.8	21.2	40	50
AGT-23G AGT-23N	23	22.6	28.5	55	50
AGT-29G AGT-29N	29	28.3	34.5	65	50
AGT-36G AGT-36N	36	36.3	42.5	80	30
AGT-48G AGT-48N	48	47.4	54.5	95	30
AGT-70G AGT-70N	70	69.1	80.7	200	10**
AGT-95G AGT-95N	95	91.7	106.0	265	10**



Dimensions in mm | Dimensiones en mm
* Except for ND 70 and ND 95 | Excepto DN 70 y DN 95
** Other lengths on request | Otras longitudes consultar

Applications | Aplicaciones



IEC 61386

UL 1696
C22.2 No. 227.3



Straight metric thread connector

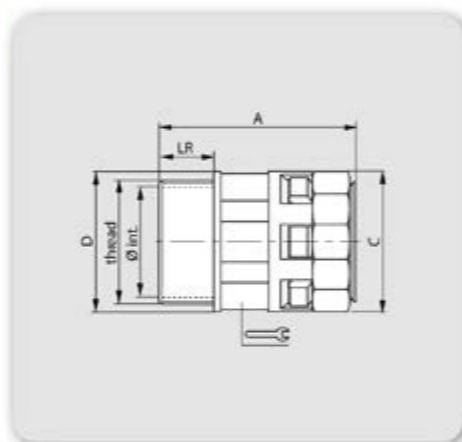
Straight fitting with male metric thread according to EN 60423 connector for fixing the ends of flexible corrugated conduits to the cable entries on control panels, terminal boxes on electric motors, etc., in accordance with standard EN 60204 (Safety of Machinery). They are notable for their high tensile strength and tightness

Racores rectos con rosca macho métrica según EN 60423 para la fijación de tubos anillados flexibles a las entradas de cables en cuadros de maniobra, cajas de bornes en motores, etc., conforme a la norma EN 60204 (seguridad de las máquinas). Se distinguen por su gran resistencia a la tracción y alta estanqueidad

- Made of specially modified polyamide (PA6)
- Free of halogen, phosphorus and cadmium
- Self-extinguishing
- Shock-resistant
- Temperature range: -40°C to +105°C (150°C short term)
- IP66 protection. IP68/IP69 with ORJ and PLJ sealings
- "Easy-click": quick assembly and removal of the conduit without tools
- Colours: dark grey and black

- Fabricados en poliamida especial modificada (PA6)
- Libres de halógenos, fósforo y cadmio
- Autoextinguibles
- Gran resistencia al impacto
- Gama de temperaturas: de -40°C a +105°C (150°C por breve tiempo)
- Protección IP66. IP68/IP69 con juntas ORJ y PLJ
- "Easy-click": montaje y desmontaje instantáneo del tubo sin útiles
- Colores gris oscuro y negro

reference referencia	ND	Ø int.	A	C	D	LR	Packing u Embalaje u	
GREY GRIS BLACK NEGRO								
MIR-07M12G MIR-07M12N	7	M12x1.5	6.5	35	19	17	15	100
MIR-10M12G MIR-10M12N	10	M12x1.5	6.5	37	21	21	18	100
MIR-10M16G MIR-10M16N	10	M16x1.5	10.0	37	21	21	18	100
MIR-10M20G MIR-10M20N	10	M20x1.5	14.0	37	21	21	18	100
MIR-12M16G MIR-12M16N	12	M16x1.5	10.0	37	26	25	20	100
MIR-12M20G MIR-12M20N	12	M20x1.5	14.0	37	26	25	20	100
MIR-17M20G MIR-17M20N	17	M20x1.5	14.5	44	31	30	27	100
MIR-17M25G MIR-17M25N	17	M25x1.5	18.5	45	31	34	27	100
MIR-23M25G MIR-23M25N	23	M25x1.5	18.5	48	37	37	34	50
MIR-23M32G MIR-23M32N	23	M32x1.5	25.5	51	37	42	34	50
MIR-29M32G MIR-29M32N	29	M32x1.5	25.5	52	46	46	42	30
MIR-29M40G MIR-29M40N	29	M40x1.5	32.0	56	46	52	42	30
MIR-36M40G MIR-36M40N	36	M40x1.5	32.0	60	54	54	50	20
MIR-36M50G MIR-36M50N	36	M50x1.5	42.0	60	54	62	50	20
MIR-48M50G MIR-48M50N	48	M50x1.5	42.0	61	69	69	66	10
MIR-48M63G MIR-48M63N	48	M63x1.5	54.0	61	69	75	66	10



Dimensions in mm | Dimensiones en mm



Straight PG thread connector

Straight fitting with male PG thread according to DIN 40430 connector for fixing the ends of flexible corrugated conduits to the cable entries on control panels, terminal boxes on electric motors, etc., in accordance with standard EN 60204 (Safety of Machinery). They are notable for their high tensile strength and tightness

Racores rectos con rosca macho paso eléctrico PG según DIN 40430 para la fijación de tubos anillados flexibles a las entradas de cables en cuadros de maniobra, cajas de bornes en motores, etc., conforme a la norma EN 60204 (seguridad de las máquinas). Se distinguen por su gran resistencia a la tracción y alta estanqueidad

- Made of specially modified polyamide (PA6)
- Free of halogen, phosphorus and cadmium
- Self-extinguishing
- Shock-resistant
- Temperature range: -40°C to +105°C (150°C short term)
- IP66 protection. IP68/IP69 with ORJ and PLJ sealings
- "Easy-click": quick assembly and removal of the conduit without tools
- Colours: dark grey and black

- Fabricados en poliamida especial modificada (PA6)
- Libres de halógenos, fósforo y cadmio
- Autoextinguibles
- Gran resistencia al impacto
- Gama de temperaturas: de -40°C a +105°C (150°C por breve tiempo)
- Protección IP66. IP68/IP69 con juntas ORJ y PLJ
- "Easy-click": montaje y desmontaje instantáneo del tubo sin útiles
- Colores gris oscuro y negro

reference referencia	ND	Ø int.	A	C	D	LR	Packing u Embalaje u		
GREY GRIS BLACK NEGRO									
MIR-07P07G MIR-07P07N	7	Pg 7	8.0	35	19	17	15	100	
MIR-10P07G MIR-10P07N	10	Pg 7	8.0	37	21	21	18	50	
MIR-10P09G MIR-10P09N	10	Pg 9	10.3	37	21	21	18	100	
MIR-12P09G MIR-12P09N	12	Pg 9	10.3	37	26	25	20	50	
MIR-12P11G MIR-12P11N	12	Pg 11	14.0	37	26	25	20	100	
MIR-12P13G MIR-12P13N	12	Pg 13.5	14.0	37	26	25	20	50	
MIR-17P13G MIR-17P13N	17	Pg 13.5	14.0	44	31	28	27	100	
MIR-17P16G MIR-17P16N	17	Pg 16	17.0	44	31	29	27	11.5	100
MIR-23P21G MIR-23P21N	23	Pg 21	22.0	48	37	36	34	12.5	50
MIR-29P29G MIR-29P29N	29	Pg 29	30.0	49	46	46	42	12.5	30
MIR-36P36G MIR-36P36N	36	Pg 36	37.5	55	54	56	50	14.0	20
MIR-48P48G MIR-48P48N	48	Pg 48	50.0	56	69	69	66	14.0	10



Dimensions in mm | Dimensiones en mm



90° curved elbow metric thread connector

90° curved elbow fitting with male metric thread according to EN 60423 connector for fixing the ends of flexible corrugated conduits to the cable entries on control panels, terminal boxes on electric motors, etc., in accordance with standard EN 60204 (Safety of Machinery). They are notable for their high tensile strength and tightness

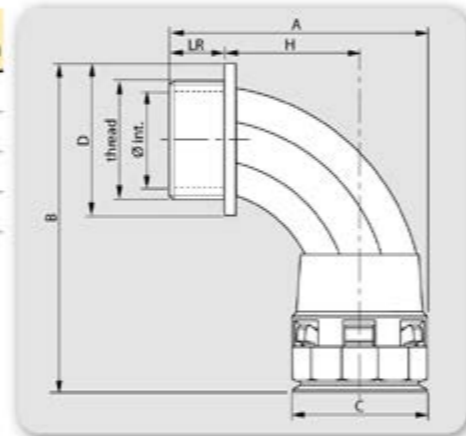
Racores curvados a 90° con rosca macho métrica según EN 60423 para la fijación de tubos anillados flexibles a las entradas de cables en cuadros de maniobra, cajas de bornes en motores, etc., conforme a la norma EN 60204 (seguridad de las máquinas). Se distinguen por su gran resistencia a la tracción y alta estanqueidad

- Made of specially modified polyamide (PA6)
- Free of halogen, phosphorus and cadmium
- Self-extinguishing
- Shock-resistant
- Temperature range: -40°C to +105°C (150°C short term)
- IP66 protection. IP68/IP69 with ORJ and PLJ sealings
- "Easy-click": quick assembly and removal of the conduit without tools
- Colours: dark grey and black

- Fabricados en poliamida especial modificada (PA6)
- Libres de halógenos, fósforo y cadmio
- Autoextinguibles
- Gran resistencia al impacto
- Gama de temperaturas: de -40°C a +105°C (150°C por breve tiempo)
- Protección IP66. IP68/IP69 con juntas ORJ y PLJ
- "Easy-click" montaje y desmontaje instantáneo del tubo sin útiles
- Colores gris oscuro y negro

reference referencia	GREY GRIS	BLACK NEGRO	ND	Ø int.	A	B	C	D	H	LR	Packing u Embalaje u	
NBC-17M25G NBC-17M25N			17	M25x1.5	17.5	52	75	28	34	26	12	50
NBC-23M32G NBC-23M32N			23	M32x1.5	25.7	69	89	36	40	36	15	30
NBC-29M40G NBC-29M40N			29	M40x1.5	32.3	81	101	43	50	40	19	10
NBC-36M50G NBC-36M50N			36	M50x1.5	40.0	98	124	51	60	53	19	10
NBC-48M63G NBC-48M63N			48	M63x1.5	53.6	106	141	66	75	54	19	5

Dimensions in mm | Dimensiones en mm



90° curved elbow PG thread connector

90° curved elbow fitting with male PG thread according to DIN 40430 connector for fixing the ends of flexible corrugated conduits to the cable entries on control panels, terminal boxes on electric motors, etc., in accordance with standard EN 60204 (Safety of Machinery). They are notable for their high tensile strength and tightness

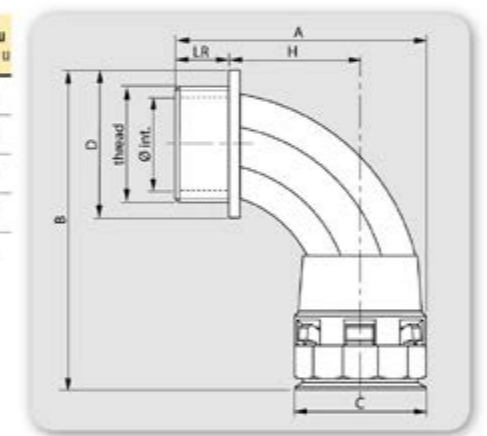
Racores curvados a 90° con rosca macho paso eléctrico PG, según DIN 40430 para la fijación de tubos anillados flexibles a las entradas de cables en cuadros de maniobra, cajas de bornes en motores, etc., conforme a la norma EN 60204 (seguridad de las máquinas). Se distinguen por su gran resistencia a la tracción y alta estanqueidad

- Made of specially modified polyamide (PA6)
- Free of halogen, phosphorus and cadmium
- Self-extinguishing
- Shock-resistant
- Temperature range: -40°C to +105°C (150°C short term)
- IP66 protection. IP68/IP69 with ORJ and PLJ sealings
- "Easy-click": quick assembly and removal of the conduit without tools
- Colours: dark grey and black

- Fabricados en poliamida especial modificada (PA6)
- Libres de halógenos, fósforo y cadmio
- Autoextinguibles
- Gran resistencia al impacto
- Gama de temperaturas: de -40°C a +105°C (150°C por breve tiempo)
- Protección IP66. IP68/IP69 con juntas ORJ y PLJ
- "Easy-click": montaje y desmontaje instantáneo del tubo sin útiles
- Colores gris oscuro y negro

reference referencia	GREY GRIS	BLACK NEGRO	ND	Ø int.	A	B	C	D	H	LR	Packing u Embalaje u	
NBC-17P16G NBC-17P16N			17	Pg 16	14.7	51	72	28	30	25.5	11.5	50
NBC-23P21G NBC-23P21N			23	Pg 21	18.5	65	84	36	36	36.0	11.0	30
NBC-29P29G NBC-29P29N			29	Pg 29	25.5	74	99	43	46	39.5	13.0	10
NBC-36P36G NBC-36P36N			36	Pg 36	32.0	92	120	51	56	53.5	13.0	10
NBC-48P48G NBC-48P48N			48	Pg 48	42.0	102	135	66	69	56.0	13.0	5

Dimensions in mm | Dimensiones en mm
Ask for availability on Pg thread | Rosca Pg consultar



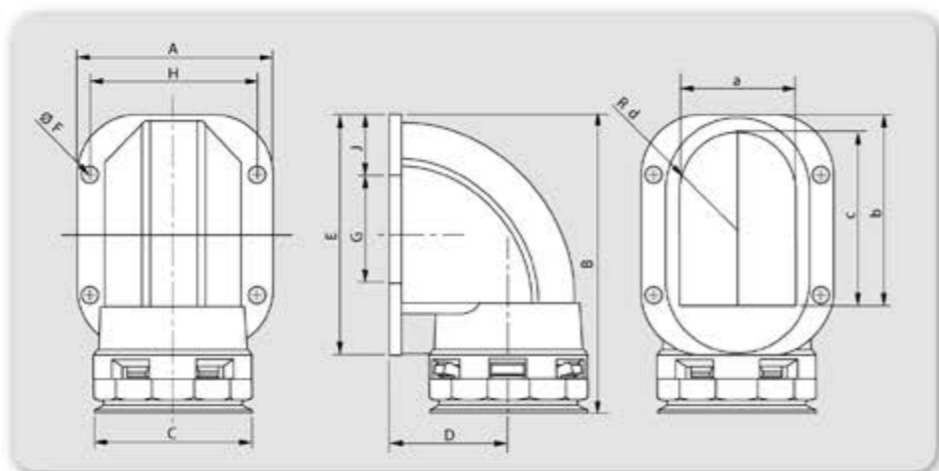
90° elbow flange connector

The elbow flange connectors, thanks to their big internal space and reduced bulk, are specially useful for fixing the ends of flexible corrugated conduits to 90° cable entries in the interior of machines and for installations according to EN 60204 (Safety of Machinery). They are notable for their high tensile strength and tightness

Los racores con brida, por su gran espacio interior y reducido encumbramiento, son especialmente útiles para la fijación de los extremos de tubos anillados en entradas de cables a 90° en el interior de máquinas y para instalaciones de acuerdo con la norma EN 60204 (seguridad de las máquinas). Se distinguen por su gran resistencia a la tracción y alta estanqueidad

- Made of specially modified polyamide (PA6)
- Free of halogen, phosphorus and cadmium
- Self-extinguishing
- Shock-resistant
- Temperature range: -40°C to +105°C (150°C short term)
- IP66 protection. IP68/IP69 with ORJ and BTJ sealings
- "Easy-click": quick assembly and removal of the conduit without tools
- Colours: dark grey and black

- Fabricados en poliamida especial modificada (PA6)
- Libres de halógenos, fósforo y cadmio
- Autoextinguibles
- Gran resistencia al impacto
- Gama de temperaturas: de -40°C a +105°C (150°C por breve tiempo)
- Protección IP66. IP68/IP69 con juntas ORJ y BTJ
- "Easy-click": montaje y desmontaje instantáneo del tubo sin útiles
- Colores gris oscuro y negro



reference referencia	a	b	s	d
BTC-17_	17	33	25	8
BTC-23_	24	42	37	12
BTC-29_	30	49	45	15
BTC-36_	37	60	54	18
BTC-48_	48	55	61	24

reference referencia		ND	Dimensions										Packing u Embalaje u
GREY GRIS	BLACK NEGRO		A	B	C	D	E	F	G	H	J		
BTC-17G	BTC-17N	17	44	68	29	24	48	5.5	-	34	18	50	
BTC-23G	BTC-23N	23	53	82	37	26	57	5.5	-	43	21	30	
BTC-29G	BTC-29N	29	60	89	45	32	66	6.5	24	48	21	10	
BTC-36G	BTC-36N	36	70	104	53	38	76	6.5	30	57	23	10	
BTC-48G	BTC-48N	48	80	118	67	46	82	6.5	55	68	13	5	

Dimensions in mm | Dimensiones en mm



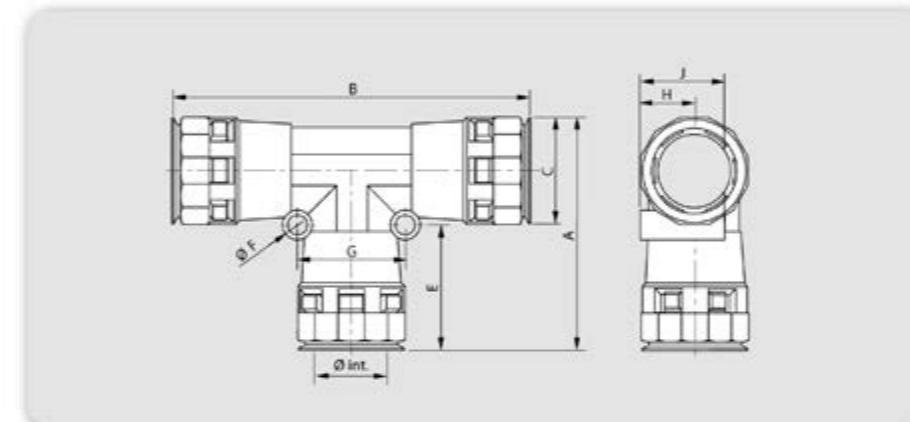
"T" distributor

"T" distributor connectors are specially indicated to join three conduits of same nominal diameter when small bending radii have to be avoided. In accordance with Standard EN 60204 (Safety of Machinery). They are notable for their high tensile strength and tightness

Los racores distribuidores en forma de "Y" son especialmente indicados para las desviaciones en las instalaciones de las máquinas sin tener que forzar los radios de curvatura de los tubos anillados en las instalaciones de acuerdo con la norma EN 60204 (seguridad de las máquinas). Se distinguen por su gran resistencia a la tracción y alta estanqueidad

- Made of specially modified polyamide (PA6)
- Free of halogen, phosphorus and cadmium
- Self-extinguishing
- Shock-resistant
- Temperature range: -40°C to +105°C (150°C short term)
- IP66 protection. IP68/IP69 with ORJ o-rings
- "Easy-click": quick assembly and removal of the conduit without tools
- Colours: dark grey and black

- Fabricados en poliamida especial modificada (PA6)
- Libres de halógenos, fósforo y cadmio
- Autoextinguibles
- Gran resistencia al impacto
- Gama de temperaturas: de -40°C a +105°C (150°C por breve tiempo)
- Protección IP66. IP68/IP69 con juntas ORJ
- "Easy-click": montaje y desmontaje instantáneo del tubo sin útiles
- Colores gris oscuro y negro



reference referencia		ND	Ø int.	Dimensions										Packing u Embalaje u
GREY GRIS	BLACK NEGRO			A	B	C	E	F	G	H	J			
TSD-101010G	TSD-101010N	10	11.2	46	72	20	27	5	19	10	18	20		
TSD-121212G	TSD-121212N	12	12.8	52	81	23	30	5	20	12	20	20		
TSD-171717G	TSD-171717N	17	18.0	63	96	29	35	6	28	14	25	20		
TSD-232323G	TSD-232323N	23	25.5	76	117	37	40	6	36	18	30	10		
TSD-292929G	TSD-292929N	29	31.5	85	128	45	41	6	41	22	36	5		
TSD-363636G	TSD-363636N	36	38.5	97	144	53	46	7	50	26	44	5		

Dimensions in mm | Dimensiones en mm



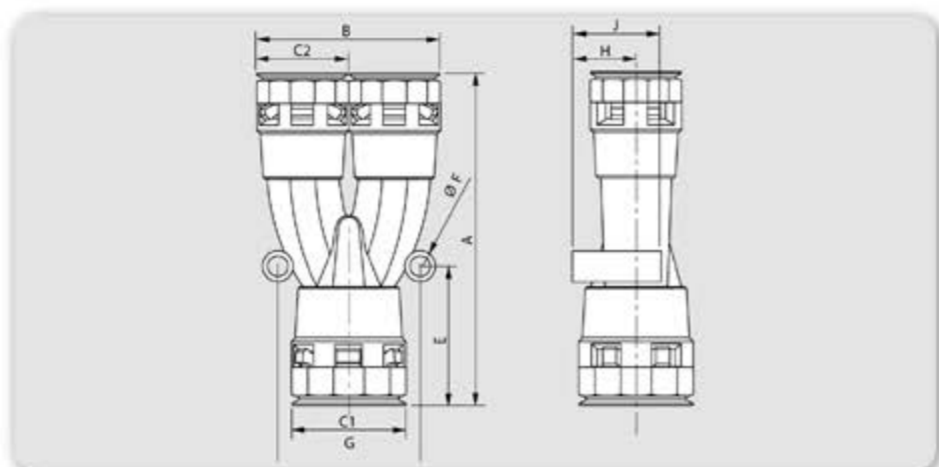
“Y” distributor

“Y” distributor connectors are specially indicated to join three conduits of different nominal diameter when small bending radii have to be avoided. In accordance with Standard EN 60204 (Safety of Machinery). They are notable for their high tensile strength and tightness

Los racores distribuidores en forma de “Y” son especialmente indicados para las desviaciones en las instalaciones de las máquinas sin tener que forzar los radios de curvatura de los tubos anillados en las instalaciones de acuerdo con la norma EN 60204 (seguridad de las máquinas). Se distinguen por su gran resistencia a la tracción y alta estanqueidad

- Made of specially modified polyamide (PA6)
- Free of halogen, phosphorus and cadmium
- Self-extinguishing
- Shock-resistant
- Temperature range: -40°C to +105°C (150°C short term)
- IP66 protection. IP68/IP69 with ORJ o-rings
- “Easy-click”: quick assembly and removal of the conduit without tools
- Colours: dark grey and black

- Fabricados en poliamida especial modificada (PA6)
- Libres de halógenos, fósforo y cadmio
- Autoextinguibles
- Gran resistencia al impacto
- Gama de temperaturas: de -40°C a +105°C (150°C por breve tiempo)
- Protección IP66. IP68/IP69 con juntas ORJ
- “Easy-click”: montaje y desmontaje instantáneo del tubo sin útiles
- Colores gris oscuro y negro



reference referencia	ND	A	B	C1	C2	E	F	G	H	J	Packing u Embalaje u
YKD-171212G YKD-171212N	17+2x12	90	48	30	24	38	5	34	16	24	20
YKD-231717G YKD-231717N	23+2x17	108	59	38	30	45	6	45	19	28	20
YKD-292323G YKD-292323N	29+2x23	119	74	46	38	46	6	51	23	35	10
YKD-362929G YKD-362929N	36+2x29	142	89	54	46	54	6	59	27	41	5
YKD-483636G YKD-483636N	48+2x36	155	106	69	54	56	7	76	34	50	5

Dimensions in mm | Dimensiones en mm



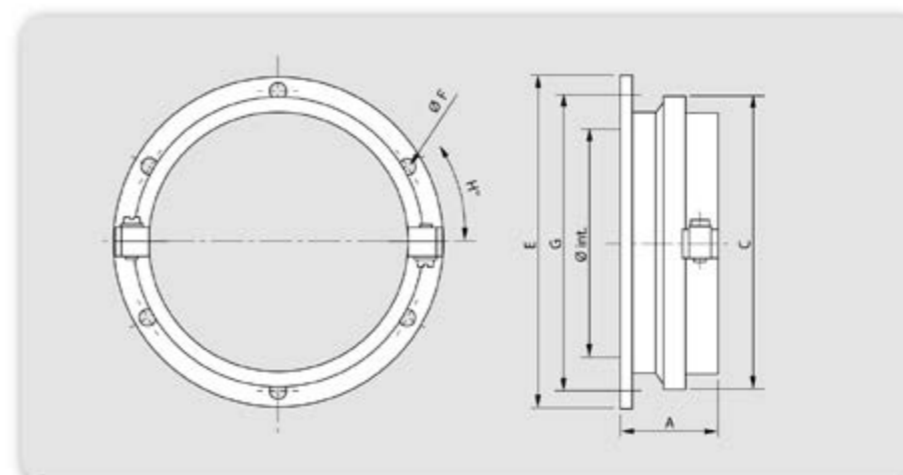
TITAN Straight connector

TITAN GTR connectors are used to connect ND70 and ND95 conduits to the wall or floor. With the optional sealing O-rings, an IP68 (static) can be obtained. To be used when connecting conduits with a great number of cables in the interior of machinery and general installations according to EN 60204 (Safety of Machinery)

Los racores TITAN GTR se utilizan para conectar los tubos DN70 y DN95 a paredes o suelos. Con las juntas tóricas opcionales se puede obtener una estanqueidad IP68 (estática). Indicados para conectar tubos con un gran número de cables en el interior de maquinaria e instalaciones industriales en general de acuerdo con la norma EN 60204 (seguridad de las máquinas)

- Made of specially modified polyamide (PA6)
- Free of halogen, phosphorus and cadmium
- Self-extinguishing
- Shock-resistant
- Temperature range: -40°C to +105°C (150°C short term)
- IP66 protection. IP68 with ORJ and TTJ sealings
- Colours: dark grey and black

- Fabricados en poliamida especial modificada (PA6)
- Libres de halógenos, fósforo y cadmio
- Autoextinguibles
- Gran resistencia al impacto
- Gama de temperaturas: de -40°C a +105°C (150°C por breve tiempo)
- Protección IP66. IP68 con juntas ORJ y TTJ.
- Colores gris oscuro y negro.



reference referencia	ND	Ø int.	A	C	E	F	G	H	Packing u Embalaje u
GTR-70G GTR-70N	70	71.0	43	101	119	6.5	105	30°	5
GTR-95G GTR-95N	95	98.0	43	130	146	6.5	132	30°	5

Dimensions in mm | Dimensiones en mm



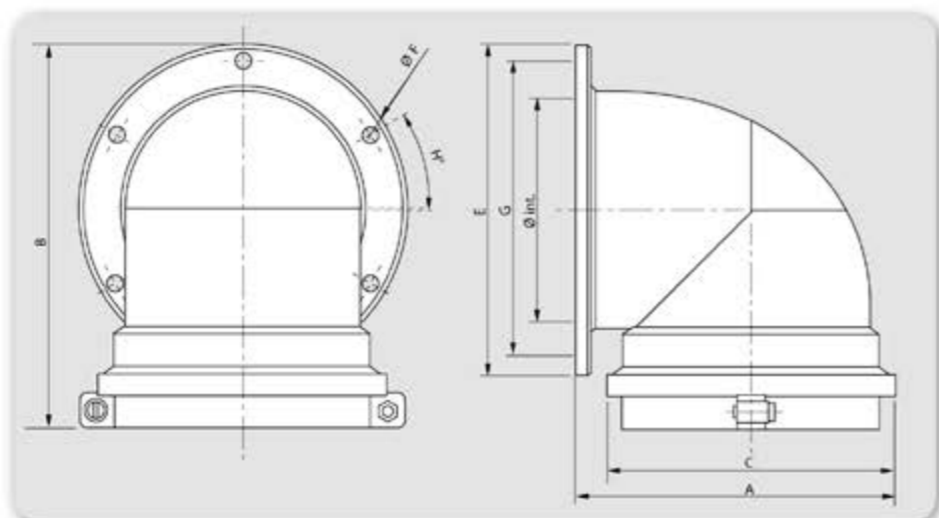
TITAN 90° elbow connector

TITAN GTC connectors are used to connect ND70 and ND95 conduits with a 90° angle to the wall or floor. With the optional sealing O-rings, an IP68 (static) can be obtained. To be used when connecting conduits with a great number of cables in the interior of machinery and general installations according to EN 60204 (Safety of Machinery)

Los racores TITAN GTC se utilizan para conectar los tubos DN70 y DN95 con un ángulo de 90° a paredes o suelos. Con las juntas tóricas opcionales se puede obtener una estanqueidad IP68 (estática). Indicados para conectar tubos con un gran número de cables en el interior de maquinaria e instalaciones industriales en general de acuerdo con la norma EN 60204 (seguridad de las máquinas)

- Made of specially modified polyamide (PA6)
- Free of halogen, phosphorus and cadmium
- Self-extinguishing
- Shock-resistant
- Temperature range: -40°C to +105°C (150°C short term)
- IP66 protection. IP68 with ORJ and TTJ sealings
- Colours: dark grey and black

- Fabricados en poliamida especial modificada (PA6)
- Libres de halógenos, fósforo y cadmio
- Autoextinguibles
- Gran resistencia al impacto
- Gama de temperaturas: de -40°C a +105°C (150°C por breve tiempo)
- Protección IP66. IP68 con juntas ORJ y TTJ
- Colores gris oscuro y negro



reference	referencia	ND	Ø int.	A	B	C	E	F	G	H	Packing u
GREY GRIS	BLACK NEGRO										Embalaje u
GTC-70G	GTC-70N	70	71.0	111	143	101	120	6.5	105	30°	5
GTC-95G	GTC-95N	95	99.0	146	171	128	146	6.5	132	30°	5

Dimensions in mm | Dimensiones en mm



Support with lid

Supports with integrated lid for securing sections of corrugated conduits between the various parts of the electrical installation. With conduit entry guide. Specially indicated for demanding securing situations, e.g. on ceilings

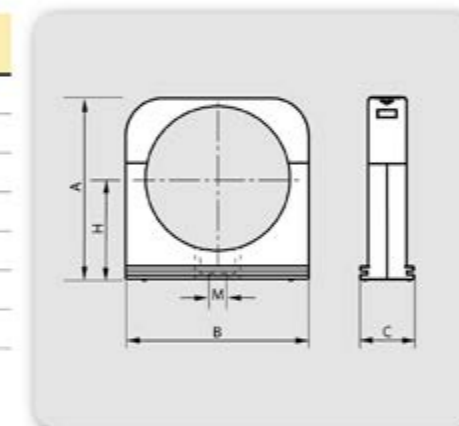
Soportes con tapa integrada para fijar tramos de tubo corrugado entre distintas partes de la instalación eléctrica. Con guía de entrada para el tubo. Especialmente indicados para condiciones de fijación exigentes, como por ejemplo en techos

- Made of specially modified polyamide (PA6)
- Free of halogen, phosphorus and cadmium
- Self-extinguishing
- Shock-resistant
- With integrated lid
- Temperature range: -40°C to +105°C (150°C short term)
- Colours: dark grey and black
- For side by side installation, use RWL.. profile

- Fabricados en poliamida especial modificada (PA6)
- Libres de halógenos, fósforo y cadmio
- Autoextinguibles
- Gran resistencia al impacto
- Con tapa integrada
- Gama de temperaturas: de -40°C a +105°C (150°C por breve tiempo)
- Colores gris oscuro y negro
- Para su instalación en paralelo, utilizar el carril RWL..

reference	referencia	ND	A	B	C	H	Metric	Packing u
GREY GRIS	BLACK NEGRO						Métrica	Embalaje u
SWL-07G	SWL-07N	7	22	17	20	13	M4	100
SWL-10G	SWL-10N	10	25	22	20	13	M5	100
SWL-12G	SWL-12N	12	27	25	20	15	M5	100
SWL-17G	SWL-17N	17	33	31	20	19	M5	100
SWL-23G	SWL-23N	23	42	40	20	23	M6	50
SWL-29G	SWL-29N	29	47	46	20	26	M6	30
SWL-36G	SWL-36N	36	56	56	20	31	M6	20
SWL-48G	SWL-48N	48	70	70	20	39	M6	10

Dimensions in mm | Dimensiones en mm



PA6 Spiral Rekorları

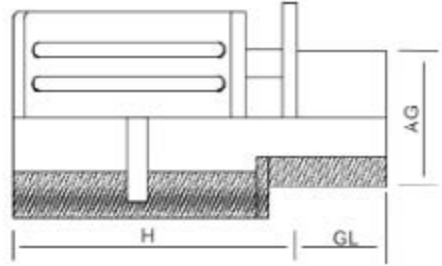


Feature

Description

- Product material: PA (polyamide), the outer fastening ring: polyformaldehyde (POM)
- Specification of thread: Metric/PG/G thread
- Structure: -40°C ~ +110°C
- Color: Black. Other colors are customizable
- How to use: GNE-SM type fast joints are the fittings of the flexible pipes, which can be either connected with the housing of equipments or connected with electric equipment with inner threaded access hole as per the thread selected. Simply insert the flexible pipe into the union.

Specification



Order No.	Suitable Flexible Conduit	PG Dimension Of Thread	AG Outer Diameter	AG Inner Diameter	GL (mm)	H	Packaging Unit Units/Pack
GNE-SM-PG7	AD10.0	PG7	12.3	7.5	10	18	100
GNE-SM-PG9	AD13.0	PG9	15	10	10	19	100
GNE-SM-PG11	AD15.8	PG11	18.4	12.5	10	23	100
GNE-SM-PG13.5	AD18.5	PG13.5	20.2	14.3	12	25	50
GNE-SM-PG16	AD21.2	PG16	22.3	17	13	27	50
GNE-SM-PG21	AD28.5	PG21	28	22	14	33	50
GNE-SM-PG29	AD34.5	PG29	36.7	29	14	35	20
GNE-SM-PG36	AD42.5	PG36	46.7	36	15	38.5	10
GNE-SM-PG48	AD54.5	PG48	59	50	16	39	10

Order No.	Suitable Flexible Conduit	Metric Dimension Of Thread	AG Outer Diameter	AG Inner Diameter	GL(mm)	H	Packaging Unit Units/Pack
GNE-SM-M10-10	AD10.0	M10x1.5	10	7,5	10	18	100
GNE-SM-M12-10	AD10.0	M12x1.5	12	7,5	10	18	100
GNE-SM-M16-10	AD10.0	M16x1.5	16	7,5	10	19	100
GNE-SM-M16-13	AD13.0	M16x1.5	16	10	10	19	100
GNE-SM-M16-15.8	AD15.8	M16x1.5	16	10,5	10	23	100
GNE-SM-M18-15.8	AD15.8	M18x1.5	18	12,5	10	23	100
GNE-SM-M20-18.5	AD18.5	M20x1.5	20	14,3	12,5	25	50
GNE-SM-M20-21.2	AD21.2	M20x1.5	20	17	13	27	50
GNE-SM-M24-21.2	AD21.2	M24x1.5	24	17	13	27	50
GNE-SM-M25-25	AD25.0	M25x1.5	25	19	14	30	50
GNE-SM-M25-28.5	AD28.5	M25x1.5	25	20,5	20	30	50
GNE-SM-M27-28.5	AD28.5	M27x1.5	27	22	14	33	50
GNE-SM-M30-28.5	AD28.5	M30x2.0	30	22	14	33	50
GNE-SM-M32-34.5	AD34.5	M32x1.5	32	26	20	35	20
GNE-SM-M36-34.5	AD34.5	M36x2.0	36	30	14	35	20
GNE-SM-M48-42.5	AD42.5	M48x2.0	48	36	15	38.5	10
GNE-SM-M60-54.5	AD54.5	M60x2.0	60	50	16	39	10

PA6 Kablo Koruma Spiralleri



Feature

Description

- Product material: PA6 polyamide
- Working temperature: -40°C~+125°C, +140°C can be reached but kept only for a short time
- Certification: European Environmental Protection Certification SGS:S H6134468/CHEM
- Structure: Wavy shape both interiorly and exteriorly
- Color: Black. Other colors are customizable upon requirements.

SPA-07B	6.5x10.0
SPA-10B	10.0x13.0
SPA-12B	12.0x15.8
SPA-14B	14.3x18.5
SPA-17B	17.0x21.2
SPA-23B	23.0x28.5
SPA-29B	29.0x34.5
SPA-36B	36.0x42.5
SPA-48B	48.0x54.5
SPA-63B	63.0x74.0
SPA-76B	76.0x88.0
SPA-94B	94.0x108.0

Şeffaf Sensör Koruma Rekoru

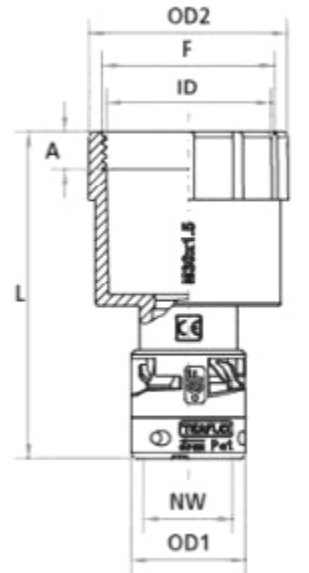


Feature

Description

- Transparan dişi bağlantı Elektronik Sensörler için İnce Metrik Dişi adaptör, elektronik sensörler , gövdesinin şeffaflığına bağlı olarak sökme işlemine gerek kalmadan istediğiniz zaman sensör çalışıp çalışmadığını görebilirsiniz,

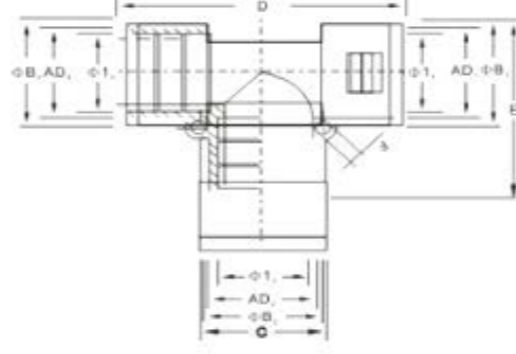
M08x1	7	10	7	8	34	17	14
M12x1	7	10	11	6,5	52	17	17
M18x1	7	10	17	6,5	59	17	23
M30X1,5	7	10	28,5	6,5	55,5	17	35
M12x1	10	12	11	6,5	53,4	20	17
M18x1	10	12	17	6,5	60,4	20	23
M30X1,5	10	12	28,5	6,5	56,9	20	35
F Fine Metric Thread	Conduit Code NW	Fits to metric Conduit	ID inside ⌀ Thread mm	A mm	L mm	OD1 mm	OD2 mm



T Spiral Rekoru



Specification

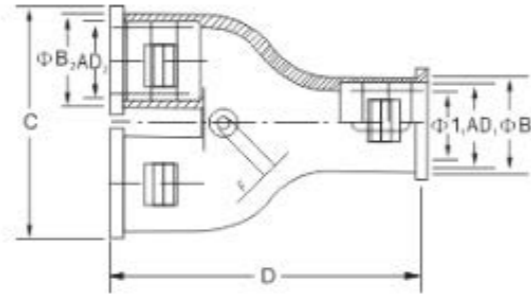


Order No.	Suitable Flexible Conduit	Φ ₁ (mm)	Φ ₂ (mm)	Φ ₃ (mm)	Φ _{B1} (mm)	Φ _{B2} (mm)	Φ _{B3} (mm)	D(mm)	E(mm)	C(mm)	F(mm)	Packaging Unit Units/Pack
GNE-T-PA-3×13.0	3×13.0	10	10	10	21	21	21	51	36	21	4	50
GNE-T-PA-3×15.8	3×15.8	14	14	14	25	25	25	63	44	24,5	4	50
GNE-T-PA-3×21.2	3×21.2	18	18	18	29,5	29,5	29,5	71,5	50	29,5	4	50
GNE-T-PA-28.5/2×15.8	28.5/2×15.8	25,5	14	14	32	25	25	78	44	24,5	4	25
GNE-T-PA-28.5/2×21.2	28.5/2×21.2	18	25,5	18	32	36,5	32	78	51	38,5	4	25
GNE-T-PA-3×28.5	3×28.5	25,5	25,5	25,5	36,5	36,5	36,5	77	57,5	37	4	25

Y Spiral Rekoru



Specification



Order No.	Suitable Flexible Conduit		Φ B1(mm)	Φ B2(mm)	D (mm)	C (mm)	F(mm)	Packaging Unit Units/Pack
	AD1	AD2						
GNE-Y-PA-AD10.0/2×10.0	10	2×10.0	17	17	50	37	1×4.0	10
GNE-Y-PA-AD21.2/2×15.8	21,2	2×15.8	29,7	23	75	52	1×4.0	10
GNE-Y-PA-AD28.5/2×15.8	28,5	2×15.8	37,5	23	75	52	1×4.0	10
GNE-Y-PA-AD18.5/2×18.5	18,5	2×18.5	26,2	26,2	75	56	1×4.0	10
GNE-Y-PA-AD21.2/2×21.2	21,2	2×21.2	29,7	29,7	76,5	63	1×4.0	10
GNE-Y-PA-AD28.5/2×21.2	28,5	2×21.2	37,4	29,7	76,5	63	1×4.0	10

MAX.
15

PLASTİK HAFİF SERİ

ÜRÜN KODU	AÇIKLAMA	İ.yük./ İ.gen./ D.yük./D.gen.(mm)	RADÜS	X YUKSEKLİK (mm)				
				R.38	R.50	R.75	R.100	-
CCC1515 O	15 X 15 Açık Seri Kablo Taşıma Kanalı	15 / 15 / 20 / 20	38R					
CCC2025 O	20 x 25 Açık Seri Kablo Taşıma Kanalı	23 / 25 / 33 / 41	50R/75R/100R					
CCC2040 O	20 x 40 Açık Seri Kablo Taşıma Kanalı	23 / 40 / 33 / 56	50R/75R/100R	96	133	183	233	
CCC2040 CO	20 x 40 Yarı Açık Seri Kablo Taşıma Kanalı	23 / 40 / 33 / 56	75R/100R					
CCC2040 C	20 x 40 Kapalı Seri Kablo Taşıma Kanalı	23 / 40 / 33 / 56	50R/75R/100R					
CCC2060 O	20 x 60 Açık Seri Kablo Taşıma Kanalı	23 / 60 / 33 / 76	50R/75R/100R					

MAX.
25

PLASTİK ORTA SERİ

ÜRÜN KODU	AÇIKLAMA	İ.yük./ İ.gen./ D.yük./D.gen.(mm)	RADÜS	X YUKSEKLİK (mm)				
				R.50	R.75	R.100	-	-
CCC3040 O	30 x 40 Açık Seri Kablo Taşıma Kanalı	30 / 40 / 40 / 56	50R/75R/100R					
CCC3040 CO	30 x 40 Yarı Açık Seri Kablo Taşıma Kanalı	30 / 40 / 40 / 56	75R/100R					
CCC3040 C	30 x 40 Kapalı Seri Kablo Taşıma Kanalı	30 / 40 / 40 / 56	75R/100R					
CCC 3060 O	30 x 60 Açık Seri Kablo Taşıma Kanalı	30 / 60 / 40 / 76	50R/75R/100R	140	190	240		
CCC 3060 CO	30 x 60 Yarı Açık Seri Kablo Taşıma Kanalı	30 / 60 / 40 / 76	75R/100R					
CCC3060 C	30 x 60 Kapalı Seri Kablo Taşıma Kanalı	30 / 60 / 40 / 76	75R/100R					

MAX.
35

PLASTİK AĞIR SERİ / 40'LİK

ÜRÜN KODU	AÇIKLAMA	İ.yük./ İ.gen./ D.yük./D.gen.(mm)	RADÜS	X YUKSEKLİK (mm)				
				R100	R125	R150	R200	R250
CCC4050 O	40 x 50 Açık Seri Kablo Taşıma Kanalı	40 / 50 / 54 / 74	100R/125/150/200/250					
CCC4050 CO	40 x 50 Yarı Açık Seri Kablo Taşıma Kanalı	40 / 50 / 54 / 74	100R/125/150/200/250					
CCC4050 C	40 x 50 Kapalı Seri Kablo Taşıma Kanalı	40 / 50 / 54 / 74	100R/125/150/200/250					
CCC4080 O	40 x 80 Açık Seri Kablo Taşıma Kanalı	40 / 80 / 54 / 104	100R/125/150/200/250					
CCC4080 CO	40 x 80 Yarı Açık Seri Kablo Taşıma Kanalı	40 / 80 / 54 / 104	100R/125/150/200/250					
CCC4080 C	40 x 80 Kapalı Seri Kablo Taşıma Kanalı	40 / 80 / 54 / 104	100R/125/150/200/250	254	304	354	454	554
CCC40100 O	40 x 100 Açık Seri Kablo Taşıma Kanalı	40 / 100 / 54 / 124	100R/125/150/200/250					
CCC40100 CO	40 x 100 Yarı Açık Seri Kablo Taşıma Kanalı	40 / 100 / 54 / 124	100R/125/150/200/250					
CCC40100 C	40 x 100 Kapalı Seri Kablo Taşıma Kanalı	40 / 100 / 54 / 124	100R/125/150/200/250					

MAX.
55

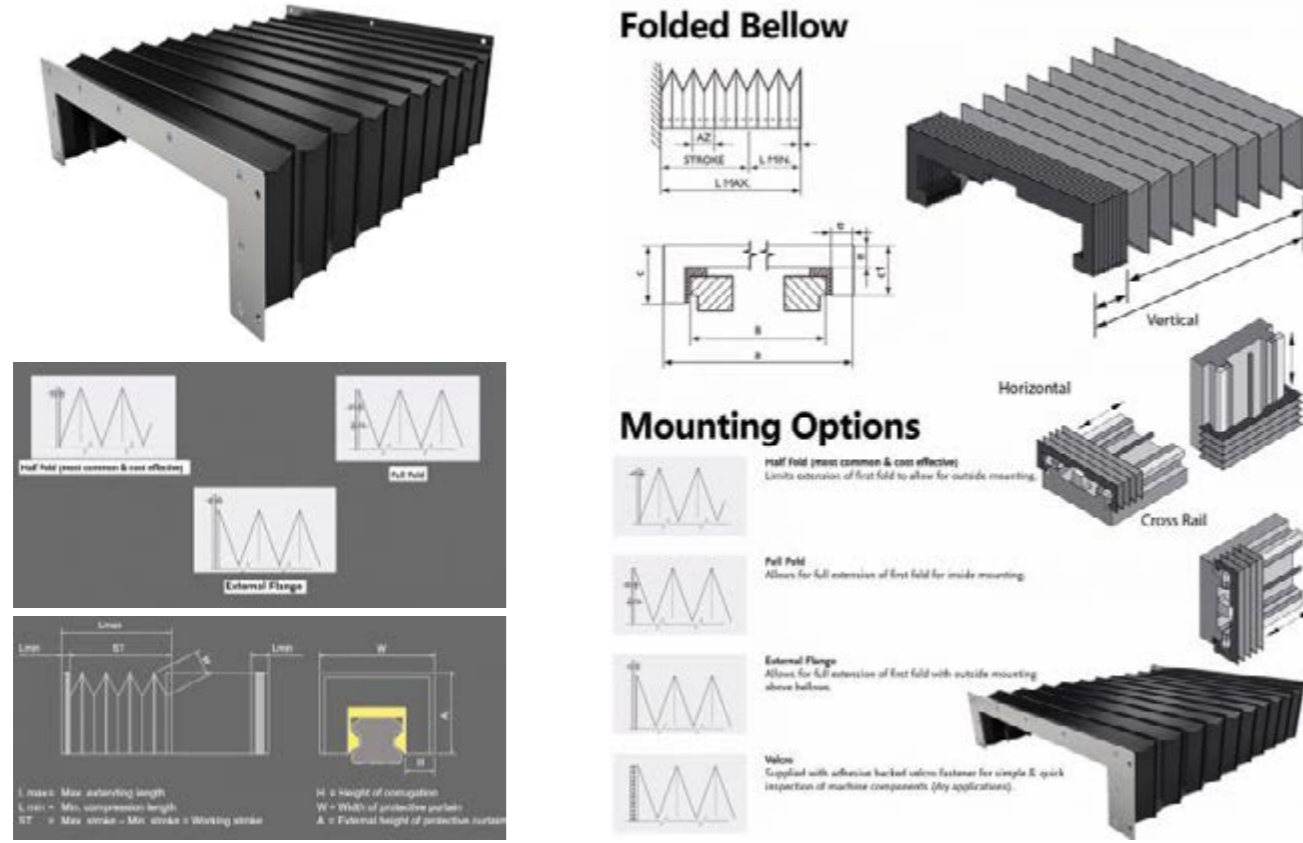
PLASTİK AĞIR SERİ / 60'LİK

ÜRÜN KODU	AÇIKLAMA	İ.yük./ İ.gen./ D.yük./D.gen.(mm)	RADÜS	X YUKSEKLİK (mm)				
				R150	R200			
CCC60100 O	60 x 100 Açık Seri Kablo Taşıma Kanalı	60 / 100 / 80 / 132	150R/200R					
CCC60100 CO	60 x 100 Yarı Açık Seri Kablo Taşıma Kanalı	60 / 100 / 80 / 132	150R/200R					
CCC60100 C	60 x 100 Kapalı Seri Kablo Taşıma Kanalı	60 / 100 / 80 / 132	150R/200R					
CCC60120 O	60 x 120 Kapalı Seri Kablo Taşıma Kanalı	60 / 120 / 80 / 152	150R/200R					
CCC60140 O	60 x 140 Açık Seri Kablo Taşıma Kanalı	60 / 140 / 80 / 172	150R/200R					
CCC60140 CO	60 x 140 Yarı Açık Seri Kablo Taşıma Kanalı	60 / 140 / 80 / 172	150R/200R					
CCC60140 C	60 x 140 Kapalı Seri Kablo Taşıma Kanalı	60 / 140 / 80 / 172	150R/200R	380	480			
CCC60200 O	60 x 200 Açık Seri Kablo Taşıma Kanalı	60 X 200 / 80 / 232	150R/200R					
CCC60200 CO	60 x 200 Yarı Açık Seri Kablo Taşıma Kanalı	60 X 200 / 80 / 232	150R/200R					
CCC60200 C	60 x 200 Kapalı Seri Kablo Taşıma Kanalı	60 X 200 / 80 / 232	150R/200R					
CCC040-D	Seperatör							
CCC060-D	Seperatör							

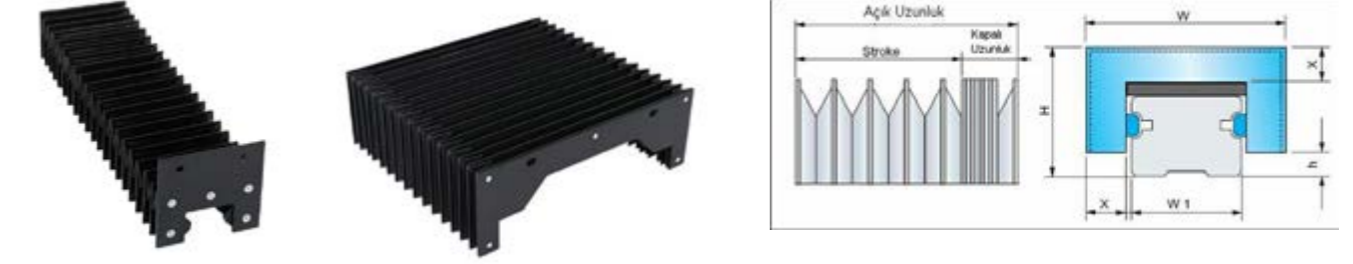
TAPA RENK SECENEKLERİ

SARI MAVİ KIRMIZI TURUNCU YEŞİL

Bez Körükler



Lineer Kızak Koruma Körükleri

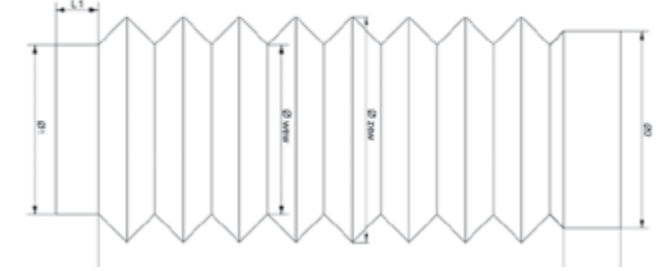


Mil Koruma Körükleri



Description

- Bu ürün vidalı mil, hidrolik ve pnömatik pistonların ve dönen transmisyonlarda yatay ve dikey konuda maksimum koruma sağlar.



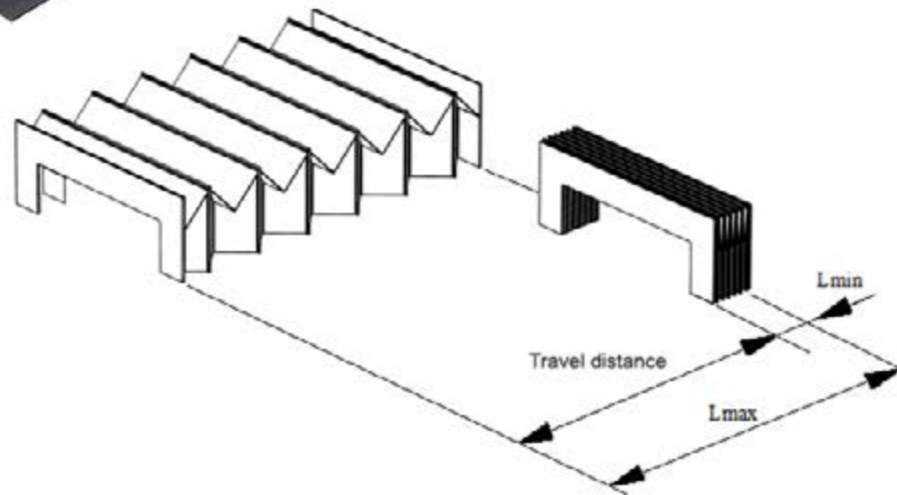
CNC Koruma Körükleri



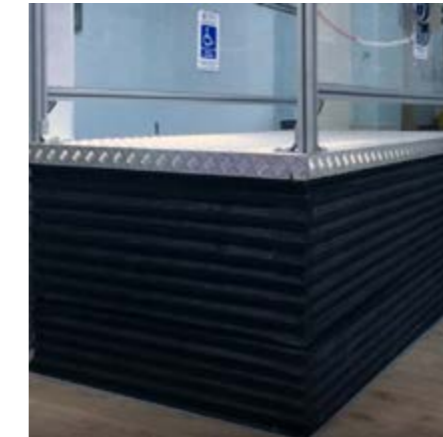
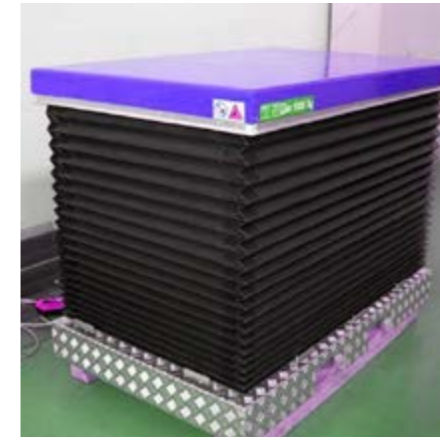
Feature

Description

- CNC Koruma Körükleri Hareket ve sınırları temel olarak üzerinde yatakladığı kızak ve raylara bağlıdır, aşırı sıcak ve keskin talaşlara karşı mükemmel koruma sağlarlar,
- Materyal olarak paslanmaz çelik kullanılmaktadır,v



Platform Körükleri



NOTES

Lined area for notes, consisting of approximately 40 horizontal dotted lines.



Karel Teknik Hidrolik Pnömatik Mak.San.
Üçevler Mah. Nilüfer Ticaret Merkezi 60 Sk. No:4/L
Nilüfer / BURSA / TÜRKİYE

Tel : +90 224 441 06 88
Fax: +90 224 441 06 89

E-Mail: info@karelteknik.com